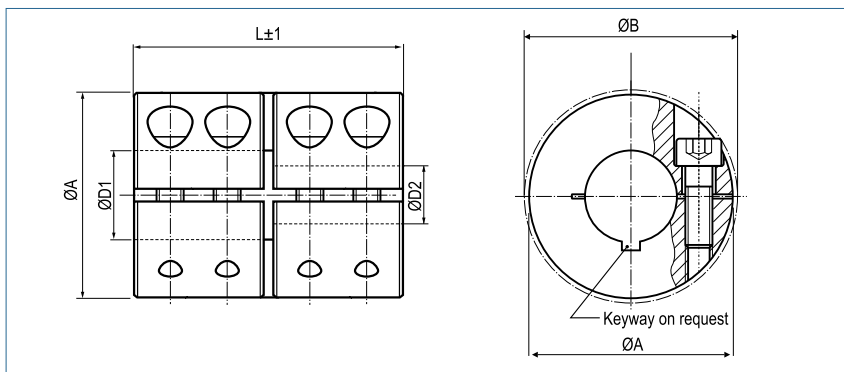


**Rigid Shaft Coupling**

single slit in stainless steel



Order Code for Standard Coupling

**KBST-VA - 50**

This coupling will automatically be supplied with unique bore 50H7.

Type Size

Order Code for Coupling with different Bore Diameters

**KBST-VA - 50 - 45 - 48**

This coupling will be supplied with the dimensions of type KBST-50 but with a bore combination 45H7 - 48H7.

Type Size D1 D2

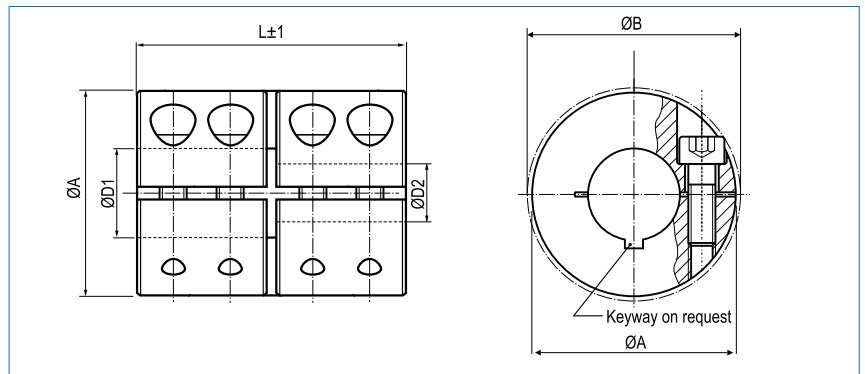
| Rigid shaft coupling - Stainless Steel |                           |                          |                         |      |      |      |                 |                             |        |
|--|---------------------------|--------------------------|-------------------------|------|------|------|-----------------|-----------------------------|--------|
| Size                                   | Torque Stainless Steel Nm | Dimensions               |                         |      |      |      | Screw (ISO4762) | Tightening Torque Screws Nm | Mass g |
|  |                           | Standard Bore D1 / D2 H7 | different Bores min-max | A mm | B mm | L mm |                 |                             |        |
| 6                                      | 25                        | 6                        | 5-7                     | 18   | 21.2 | 30   | M3x8            | 1.6                         | 47     |
| 8                                      | 40                        | 8                        | 5-12                    | 24   | 26.8 | 35   | M3x10           | 1.6                         | 102    |
| 10                                     | 90                        | 10                       | 5-15                    | 29   | 32.7 | 45   | M4x12           | 3.9                         | 185    |
| 12                                     | 90                        | 12                       | 5-15                    | 29   | 32.7 | 45   | M4x12           | 3.9                         | 180    |
| 14                                     | 160                       | 14                       | 10-17                   | 34   | 39.1 | 50   | M5x16           | 7.6                         | 272    |
| 15                                     | 160                       | 15                       | 10-17                   | 34   | 39.1 | 50   | M5x16           | 7.6                         | 266    |
| 16                                     | 160                       | 16                       | 10-17                   | 34   | 39.1 | 50   | M5x16           | 7.6                         | 261    |
| 20                                     | 300                       | 20                       | 10-24                   | 42   | 48.2 | 65   | M6x16           | 13.2                        | 518    |
| 25                                     | 325                       | 25                       | 10-26                   | 45   | 50.8 | 75   | M6x16           | 13.2                        | 623    |
| 30                                     | 400                       | 30                       | 20-32                   | 53   | 58.1 | 83   | M6x18           | 13.2                        | 920    |
| 35                                     | 925                       | 35                       | 20-40                   | 67   | 74.1 | 95   | M8x25           | 32                          | 1880   |
| 40                                     | 1100                      | 40                       | 30-50                   | 77   | 83.4 | 108  | M8x25           | 32                          | 2710   |
| 50                                     | 1875                      | 50                       | 40-52                   | 85   | 93.2 | 124  | M10x25          | 63                          | 3520   |

| Transmittable torque (Nm) depending on shaft diameter (mm) |    |    |    |     |     |     |     |     |     |     |     |     |     |     |      |      |      |      |      |      |      |
|--|----|----|----|-----|-----|-----|-----|-----|-----|-----|-----|-----|-----|-----|------|------|------|------|------|------|------|
| Size   | 5  | 6  | 8  | 10  | 12  | 14  | 18  | 20  | 24  | 26  | 28  | 30  | 32  | 38  | 40   | 42   | 44   | 46   | 48   | 50   | 52   |
| 6  | 15 | 16 |    |     |     |     |     |     |     |     |     |     |     |     |      |      |      |      |      |      |      |
| 8  | 21 | 22 | 23 | 25  | 27  |     |     |     |     |     |     |     |     |     |      |      |      |      |      |      |      |
| 10   | 44 | 45 | 49 | 52  | 56  | 59  |     |     |     |     |     |     |     |     |      |      |      |      |      |      |      |
| 12   | 44 | 45 | 49 | 52  | 56  | 59  |     |     |     |     |     |     |     |     |      |      |      |      |      |      |      |
| 14   |    |    |    | 93  | 98  | 104 |     |     |     |     |     |     |     |     |      |      |      |      |      |      |      |
| 15   |    |    |    | 93  | 98  | 104 |     |     |     |     |     |     |     |     |      |      |      |      |      |      |      |
| 16   |    |    |    | 93  | 98  | 104 |     |     |     |     |     |     |     |     |      |      |      |      |      |      |      |
| 20   |    |    |    | 167 | 175 | 183 | 199 | 207 | 223 |     |     |     |     |     |      |      |      |      |      |      |      |
| 25   |    |    |    | 179 | 187 | 195 | 211 | 219 | 235 | 243 |     |     |     |     |      |      |      |      |      |      |      |
| 30   |    |    |    |     |     |     |     | 243 | 259 | 267 | 274 | 282 | 290 |     |      |      |      |      |      |      |      |
| 35   |    |    |    |     |     |     |     | 510 | 539 | 553 | 568 | 582 | 597 | 641 | 655  |      |      |      |      |      |      |
| 40   |    |    |    |     |     |     |     |     |     |     |     | 655 | 670 | 713 | 728  | 743  | 757  | 772  | 786  | 801  |      |
| 50   |    |    |    |     |     |     |     |     |     |     |     |     |     |     | 1226 | 1250 | 1273 | 1296 | 1319 | 1342 | 1365 |

**+** Keyways according DIN 6885/1 are only possible in unique bore diameters.

### Rigid Shaft Coupling

single slit in stainless steel



Order Code for Standard Coupling

**KBST-VA - 80**

Type Size

This coupling will automatically be supplied with unique bore 80H7.

Order Code for Coupling with different Bore Diameters

**KBST-VA - 80 - 75 - 90**

Type Size D1 D2

This coupling will be supplied with the dimensions of type KBST-80 but with a bore combination 75H7 - 90H7.

| Rigid shaft coupling - Stainless Steel |                           |                          |                         |      |       |      |                 |                             |        |
|--|---------------------------|--------------------------|-------------------------|------|-------|------|-----------------|-----------------------------|--------|
| Size                                   | Torque Stainless Steel Nm | Dimensions               |                         |      |       |      | Screw (ISO4762) | Tightening Torque Screws Nm | Mass g |
|  |                           | Standard Bore D1 / D2 H7 | different Bores min~max | A mm | B mm  | L mm |                 |                             |        |
| 55                                     | 2500                      | 55                       | 45-58                   | 93   | 99.5  | 140  | M10x30          | 63                          | 4240   |
| 60                                     | 2750                      | 60                       | 50-64                   | 100  | 105   | 150  | M10x30          | 63                          | 5100   |
| 65                                     | 3335                      | 65                       | 60-72                   | 115  | 120   | 200  | M12x35          | 108                         | 9350   |
| 70                                     | 4000                      | 70                       | 65-78                   | 122  | 125.5 | 220  | M12x40          | 108                         | 11510  |
| 75                                     | 4585                      | 75                       | 70-88                   | 133  | 136   | 220  | M12x40          | 108                         | 12550  |
| 80                                     | 5660                      | 80                       | 75-92                   | 138  | 140   | 220  | M12x45          | 108                         | 13670  |
| 85                                     | 6250                      | 85                       | 75-92                   | 148  | 155   | 250  | M16x45          | 264                         | 19550  |
| 90                                     | 7000                      | 90                       | 80-100                  | 157  | 162   | 280  | M16x50          | 264                         | 23990  |
| 95                                     | 8335                      | 95                       | 80-100                  | 167  | 176   | 300  | M20x55          | 363                         | 31080  |
| 100                                    | 10400                     | 100                      | 80-104                  | 173  | 181   | 320  | M20x55          | 363                         | 35590  |

| Transmittable torque (Nm) depending on shaft diameter (mm) |      |      |      |      |      |      |      |      |      |      |      |      |      |      |      |      |      |      |      |      |
|--|------|------|------|------|------|------|------|------|------|------|------|------|------|------|------|------|------|------|------|------|
| Size   | 45   | 48   | 50   | 52   | 55   | 58   | 60   | 64   | 65   | 70   | 72   | 75   | 78   | 80   | 85   | 88   | 90   | 95   | 100  | 104  |
| 55   | 1392 | 1427 | 1451 | 1474 | 1509 | 1544 |      |      |      |      |      |      |      |      |      |      |      |      |      |      |
| 60   |      |      | 1521 | 1544 | 1580 | 1615 | 1638 | 1685 |      |      |      |      |      |      |      |      |      |      |      |      |
| 65   |      |      |      |      |      |      | 1755 | 1802 | 1814 | 1872 | 1895 |      |      |      |      |      |      |      |      |      |
| 70   |      |      |      |      |      |      |      |      | 1884 | 1942 | 1966 | 2001 | 2036 |      |      |      |      |      |      |      |
| 75   |      |      |      |      |      |      |      |      |      | 2083 | 2106 | 2141 | 2176 | 2200 | 2258 | 2293 |      |      |      |      |
| 80   |      |      |      |      |      |      |      |      |      |      |      | 2188 | 2223 | 2246 | 2305 | 2340 | 2363 |      |      |      |
| 85   |      |      |      |      |      |      |      |      |      |      |      | 5932 | 6027 | 6090 | 6249 | 6344 | 6407 |      |      |      |
| 90   |      |      |      |      |      |      |      |      |      |      |      |      |      | 6344 | 6503 | 6598 | 6661 | 6820 | 6978 |      |
| 95   |      |      |      |      |      |      |      |      |      |      |      |      |      | 7107 | 7282 | 7386 | 7456 | 7630 | 7804 |      |
| 100  |      |      |      |      |      |      |      |      |      |      |      |      |      | 7316 | 7491 | 7595 | 7665 | 7839 | 8013 | 8153 |

**+** Keyways according DIN 6885/1 are only possible in unique bore diameters.