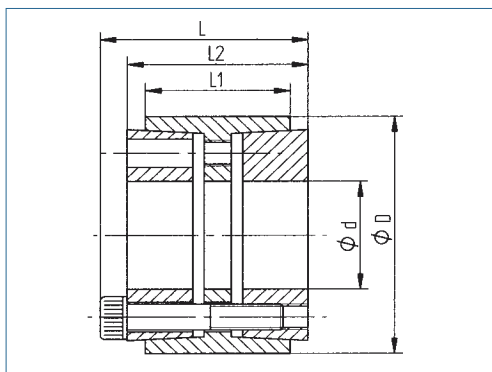


Locking Device

optional
nickel-plated version
optional full stainless
steel version



transmittable torque	high
surface pressure on hub	medium
self-centering	yes
axial movement of the hub during assembly	conditionally
height D/d	high
overall length	long

Order Code

KBS 11 - 45 x 75

Type

Ød

ØD

Recommended finishing tolerances of contact surfaces are: shaft h8 / hub H8

Inner / Outer Ø dxD	Torque T Nm	Dimensions			Surface pressure on		Screws			Mass kg
		L mm	L1 mm	L2 mm	Shaft Pw N/mm ²	Hub Pn N/mm ²	No.	ISO 4762	TA Nm	
25 x 50	824	51	41	45	219	85	6	M6x40	17	0.50
25 x 55	840	46	32	40	295	134	6	M6x35	17	0.37
28 x 55	940	46	32	40	264	134	6	M6x35	17	0.38
30 x 55	1000	46	32	40	246	134	6	M6x35	17	0.40
35 x 60	1360	60	44	54	174	101	7	M6x45	17	0.60
38 x 75	2740	62	44	54	296	150	7	M8x50	41	1.05
40 x 65	2080	52	41	47	209	129	10	M6x40	17	0.60
40 x 75	2880	62	44	54	281	150	7	M8x50	41	1.05
42 x 75	3030	62	44	54	268	150	7	M8x50	41	1.10
45 x 75	3240	62	44	54	250	150	7	M8x50	41	1.10
48 x 80	3950	72	56	64	207	124	8	M8x50	41	1.15
50 x 80	4150	72	56	64	200	98	8	M8x50	41	1.15
55 x 85	5150	72	56	64	205	104	9	M8x50	41	1.30
60 x 90	6200	72	56	64	202	106	10	M8x50	41	1.35
65 x 95	6750	72	56	64	187	100	10	M8x50	41	1.45
70 x 110	11500	88	70	78	223	114	10	M10x60	83	2.75
75 x 115	12300	88	70	78	223	114	10	M10x60	83	3.00
80 x 120	14500	88	70	78	215	115	11	M10x60	83	3.15
85 x 125	15400	88	70	78	215	115	12	M10x60	83	3.25
90 x 130	17800	88	70	78	208	115	12	M10x60	83	3.50
95 x 135	18700	88	70	78	208	115	12	M10x60	83	4.80
100 x 145	26300	112	90	100	200	107	11	M12x80	145	5.70
110 x 155	31800	112	90	100	198	110	12	M12x80	145	6.10
120 x 165	40400	112	90	100	212	120	14	M12x80	145	6.60
130 x 180	51500	130	104	116	192	112	12	M14x90	230	9.18
140 x 190	64700	130	104	116	208	124	14	M14x90	230	9.80
150 x 200	74200	130	104	116	208	127	15	M14x90	230	10.40
160 x 210	84500	130	104	116	208	128	16	M14x90	230	10.90
170 x 225	108200	164	134	148	182	113	14	M16x110	355	16.20
180 x 235	123250	164	134	148	184	115	15	M16x110	355	16.85
190 x 250	133800	164	134	148	186	116	16	M16x110	355	19.67
200 x 260	146000	164	134	148	177	112	16	M16x110	355	20.57
220 x 285	181000	164	134	148	188	115	18	M16x110	355	24.46
240 x 305	218000	164	134	148	184	119	20	M16x110	355	26.40
260 x 325	250000	164	134	148	178	117	21	M16x110	355	28.73
280 x 355	360000	197	165	177	185	117	18	M20x130	690	43.0
300 x 375	428000	197	165	177	192	123	20	M20x130	690	46.5