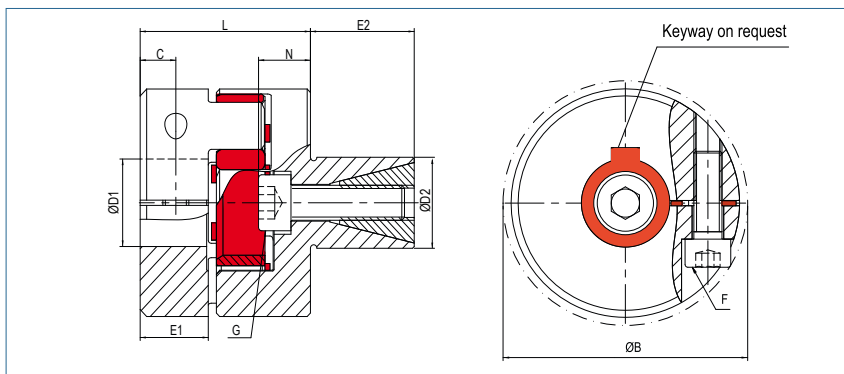


Servo Insert Coupling

with expanding clamps

optional full stainless steel version



Order Code	KBE4	-	38	-	40	-	35	-	98Sh
	Type		Size		ØD1 (H7)		ØD2 (h7)		Shore-hardness

Size	Dimensions (mm)											Technical Data			Torque (Nm)			
	ØA Outer Ø	L Length	Ø D1 Bore Size (H7) min~max	Ø D2 (h7) min~max	E1	E2	N	C	B	F Screw (ISO4762) TA (Nm)	G Screw (ISO4762) TA (Nm)	max. speed upm. (1/min)	Mass (per coupling) (g)	Moment of Inertia (per coupling) J (g m²)	64 ShoreD (green)	98 ShoreA (red)	92 ShoreA (yellow)	80 ShoreA (blue)
14	30	28	4-16	13 - 25	11	20	7	5	32.2	M3 2	M5 9	20000	98	0.010	16	12.5	7.5	4
19	40	40	10-22/24*	14 - 30	17	25	10	9	45.7	M6 15	M6 15	19000	240	0.042	26	21	12	6
24	55	46	12 - 32	23 - 36	20	27	11	10	56.4	M6 15	M8 40	14000	463	0.158	75	60	35	17
28	65	51	19 - 37	26 - 42	21	32	16	11	72.6	M8 40	M10 84	11500	799	0.375	200	160	95	46
38	80	68	20 - 48	38 - 60	31	45	20	15	83.3	M8 40	M12 145	9500	1754	1.213	405	325	190	x
42	95	92.5	25 - 50	42 - 80	51	55	21	18	95	M10 84	M16 310	6031	3966	4.180	560	450	265	x
48	105	102	25 - 62	42 - 90	55	60	24.5	20	108	M12 145	M16 310	5457	5392	7030	655	525	310	x

Size	4	6	8	9	10	11	12	14	15	16	18	19	20	24	25	28	30	32	35	38	40	42	45
14	7.7	8.3	8.9	9.2	9.4	9.7	10	10.6	10.9	11.2													
19					44	45	47	49	50	51	54	55	56										
24							61	63	64	65	67	69	70	74	76	79	81	84					
28												114	116	123	124	130	133	137	142				
38													135	142	144	149	152	156	161	166	169	173	178
42															294	304	310	317	327	337	343	350	360
48															476	491	500	510	524	539	548	558	572

+ **Material** hub - aluminium
 expanding clamps - steel
 spider element - polyurethane

Hub bore tolerance: H7

Keyway optional acc. DIN 6885

* Hubs for bores > 22H7 to 24H7 will be supplied with M5 screws.

Further spider elements and technical data are available on page 44 and 45.
 All series are available with loose-fit spiders (see page 45).