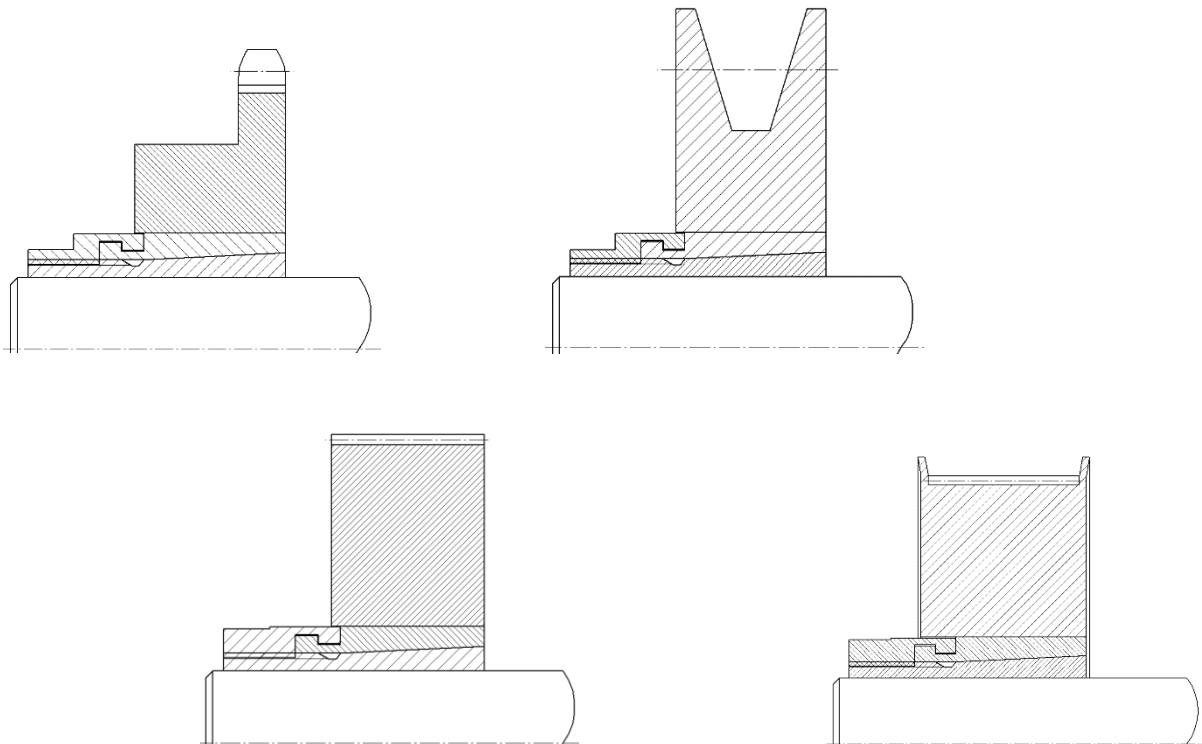
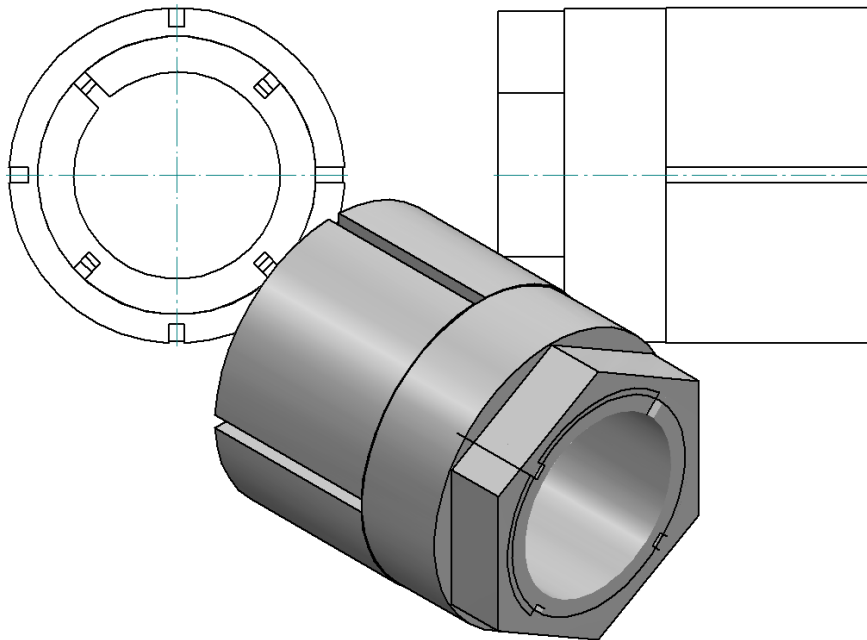




Locking Device KBS 56



The **KBS 56 Locking Device** is a frictionally engaged shaft-hub connection for cylindrical shafts and bores without keyway.





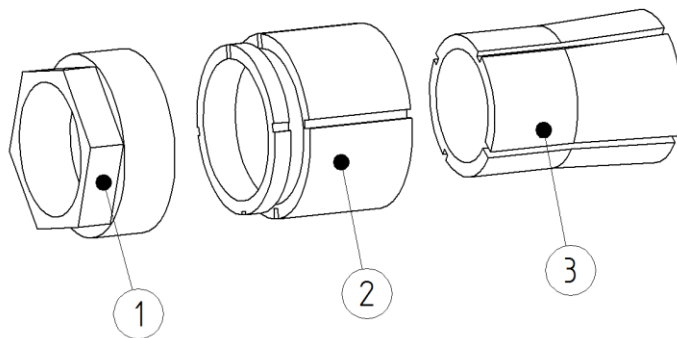
Characteristics

- generally delivered fully assembled
- self-centering
- true-running accuracy **0,02 – 0,04 mm**

Tolerances, Surfaces

- one accurate rotating process is sufficient: **Rz ≤ 16 µm**
- maximum permissible tolerance: **d = h8/H8 – Shaft/Hub**

Components of locking device KBS 56



Component	Quantity	Description
1	1	Hexagon nut
2	1	Outer ring (slotted)
3	1	Inner ring (slotted)

Image 1) KBS 56



Information!

Contaminated or used locking devices have to be disassembled and cleaned prior to installation. Then apply a thin layer of a low-viscosity oil (e.g. Ballistol Universal Oil or Klüber Quietsch Ex)





Assembly of the locking device

- Check the shaft- and hub position regarding the permitted tolerance (js9/JS9).
- Clean contact surfaces both of the locking device, the shaft and the hub (see image 2). Then apply a thin layer of low viscosity oil (e.g. Ballistol Universal Oil or Klüber Quietsch Ex).

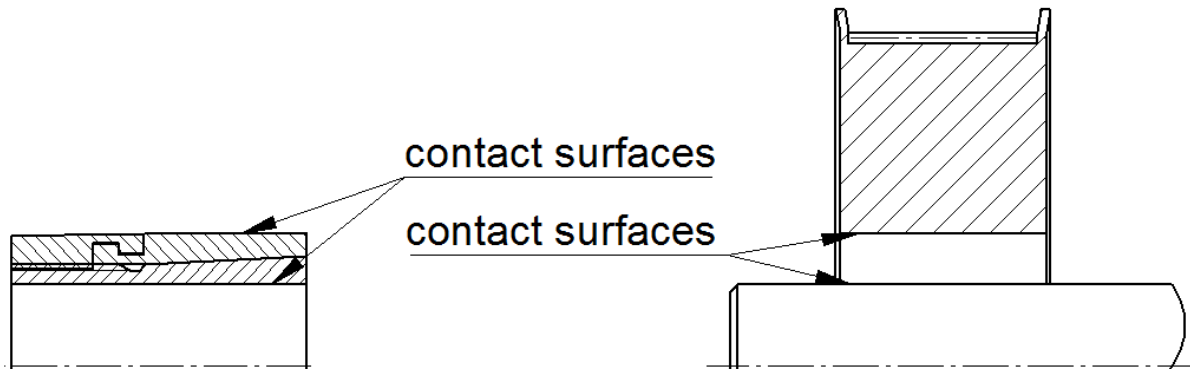


Image 2) Cleaning the contact surfaces



Attention!

You must not use any oil or grease that increases the friction coefficient significantly. Oil-free assembly may result in deviating table and calculation values.

- Slightly loosen the hexagon nut (component 1). Insert locking device KBS 56 between shaft and hub.
- Slightly tighten the hexagon nut manually and align the locking device with the hub.
- Tighten the hexagon nut to the torque stated in table1.


Table 1:

Locking Device	KBS 56					
Size d x D	5 x 16	6 x 16	7 x 20	8 x 20	9 x 20	10 x 23
Wrench size SW	13	13	16	16	16	19
Torque T _A [Nm]	10	10	28	28	28	44
Size d x D	11 x 23	12 x 23	14 x 26	15 x 26	16 x 26	20 x 45
Wrench size SW	19	19	22	22	22	45
Torque T _A [Nm]	44	44	66	66	66	85






Size d x D	22 x 45	24 x 45	25 x 45
Wrench size SW	45	45	45
Torque T_A [Nm]	85	85	85

	During assembly, there might be an axial displacement of the hub relative to the shaft, using the KBS 56.
Information!	

Disassembly of the locking device

	Loosened or falling drive components can cause personal injury or machine damages. Secure the drive components prior to disassembly.
Danger!	

- Loosen the clamping nut (component 1).
- Turn the clamping nut counter-clockwise until locking device KBS 56 can be moved.
- Remove the loosened locking device.

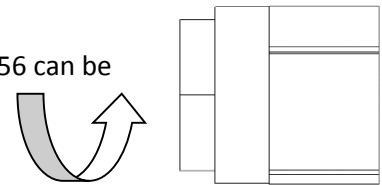



Image3) Loosening the locking

	Non-compliance with these instructions as well as disregarded operating conditions dimensioning the locking device can influence the function of the locking device
Attention!	

Disposal: Defective locking devices must be cleaned and disposed.

