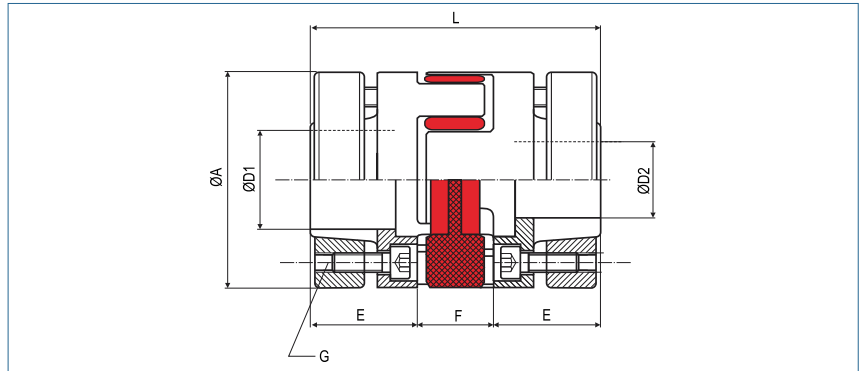


Servo Insert Coupling

with outer conical hubs, compact

optional full stainless steel version



Order Code	KBE3C	-	48	-	40	-	35	-	98Sh
	Type		Size		ØD1 (H7)		ØD2 (H7)		Shore-hardness

Size	Dimensions (mm)						Technical Data			Torque (Nm)			
	Ø A Outer Ø	L Length	Ø D1-D2 Bore Sizes (H7) min~max	E	F	G Screw (ISO4762) TA (Nm)	max. speed rpm. (1/min)	Mass (per coupling) (g)	Moment of Inertia (per coupling) J (g m²)	64 ShoreD (green)	98 ShoreA (red)	92 ShoreA (yellow)	80 ShoreA (blue)
14	30	42	6 - 14 12	14.5	13	M3 1.34	25000	91	0.012	16	12.5	7.5	4
19	40	56	10 - 20 17	20	16	M4 3	19000	252	0.063	26	21	12	6
24	55	64	14 - 28 25	23	18	M5 6	14000	492	0.236	75	60	35	17
28	65	76	19 - 38 34	28	20	M5 6	12000	776	0.535	200	160	95	46
38	80	96	20 - 45 40	36	24	M6 10	10000	1639	1.686	405	325	190	x
42	95	103	28 - 50 43	38.5	26	M8 35	8000	2612	3.621	560	450	265	x
48	105	110	30 - 55 54	41	28	M8 35	7000	3105	5.465	655	525	310	x
55	120	136	40 - 70 60	53	30	M10 84	5000	4145	10.252	825	685	410	x

Size	Transmittable torque (Nm) depending on shaft diameter (mm)																							
	6	10	11	14	15	16	19	20	24	25	28	30	32	35	38	40	42	45	48	50	55	60	65	70
14	5.4	7.5	11.3	24.7																				
19		17	20	41	49	52	56	64																
24				47	57	67	98	110	127	139	175													
28							121	133	201	219	248	285	253	307	329									
38								203	304	331	394	452	453	543	550	609	669	634						
42											444	508	535	638	692	763	754	858	964	976				
48											572	638	762	842	929	943	1074	1208	1136	1336				
55																1073	1126	1209	1244	1345	1386	1679	1695	1998

Material hub - aluminium
outer conical hub - Steel
spider element - polyurethane

Hub bore tolerance: H7

Keyway optional acc. DIN 6885
biggest bore marked with a #

Further spider elements and technical data are available on page 44 and 45.
All series are available with loose-fit spiders (see page 45).