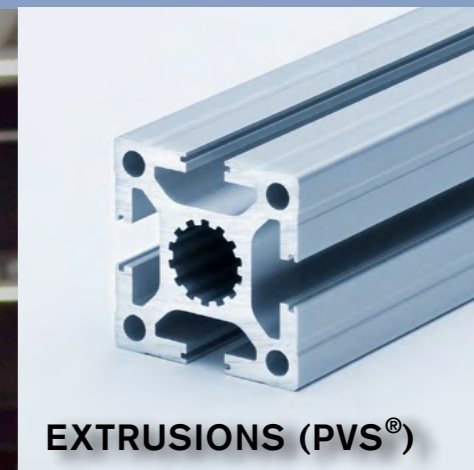




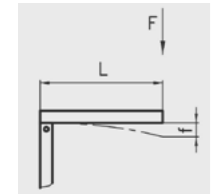
OUR GENERAL CATALOGUE

**MODULAR SYSTEM
WITH SIMPLICITY.**

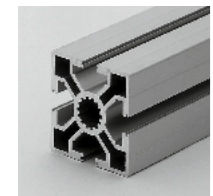




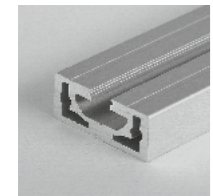
About us	2-5 Editorial services
	6-9 Products
	10-23 Applications



Technical data	24-25 Material data	40-41 Strength calculations
	26-38 Overview extrusions	43-47 Machining codes
	39 Tolerances	48 Machining extrusion



Extrusion system base PVS®	50-67 Base 50 extrusions	100-111 Base 30 extrusions
	68-81 Base 45 extrusions	112-114 Base 20 extrusions
	82-99 Base 40 extrusions	



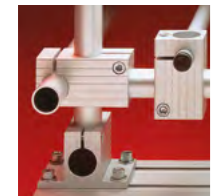
Special extrusions	115-124 Special extrusions
	125-127 Angle extrusions
	128-131 Diverse



Connection technology	132-141 PVS® – the original	145 PVS® Direct
	142 PVS® connectors accessories	146 PVS®-Superlight
	143-144 Connection technology	147-148 Cable bridge, allen key



Accessories	150-152 Mounting brackets	159-160 Threaded inserts	174 Installation material	201-208 Handles, locks
	152-153 Clamping blocks	161-162 Levelling feet, base plates	178-182 Panels	209-210 Lock, switches, sealing plates
	153 Uniblocks, attachment bracket	163-166 Bolt-down brackets	183-193 Filler strips	211-223 Shafts, clamping blocks
	155-158 Threaded plates, extrusion nuts	167-172 Castors, rollers	194-200 Hinges, joints	224-228 Roller system, accessories



Tube clamp system RVS®	230 Technical data	244-249 Rectangular extrusion, aluminium tubes, accessories
	231-237 Clamp joints	
	238-239 Swivel clamp	250-252 Adjustable units
	240-243 Supports, slides	



Service	253-255 Our service
	256-257 Index
	258 Kanya distributors worldwide



Our service range

- ✓ range of articles ex stock
- ✓ extrusions cut to measure and processed
- ✓ consultation and engineering
- ✓ pre- or completely assembled
- ✓ external material procurement



Company video



Aluminium extrusion system – modular with simplicity

Kanya AG is a leading global supplier of aluminium extrusion system and stands out due to its Swiss quality. Based on the Kanya aluminium extrusion system, we supply design solutions in the sectors of special-purpose engineering, automation and the machine manufacturing industry.

In our headquarters in Rüti ZH (Switzerland), over 50 employees work in the sectors of sales, engineering, production and assembly. The modern industrial building with an area of over 3500m² offers optimal requirements for efficient order processing. Globally, we work together with over 20 long-standing independent partners. Our international contractual partners have their own warehouses and the associated production infrastructure. This network means that Kanya profiles and components are available to all intents and purposes over the whole world.

Milestones

1974

Kanya AG founded by Gertrud Rüegg



1982

Walter Bär participates in Kanya and manages the technical department.



1997

Opening celebration – new location in Rüti (Switzerland)



2013

Foundation of branch office Kanya China



2016

Extension of the factory building by 1'200 m² in Switzerland



1975

Patenting of PVS[®] extrusion connection system

1990

Worldwide more than ten representatives

2008

Succession plan through Bachtel Group (Clemens Ruckstuhl and André Müller)

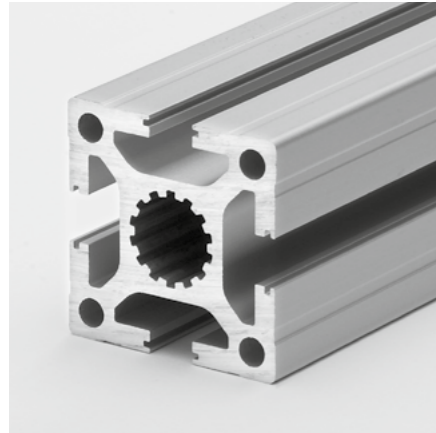
2014

Company anniversary – 40 years Kanya AG

2021

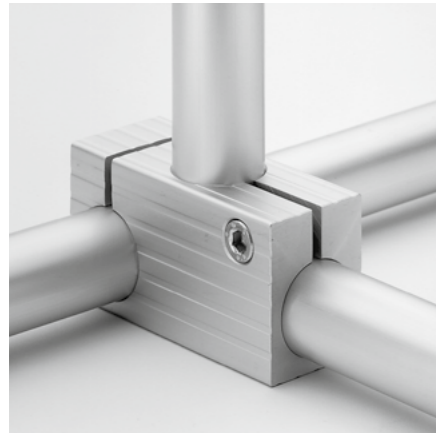
New lengthwise processing machine

Our products



Extrusion Connecting System PVS®

With the aluminum modular system, you will solve any construction task professionally, flexibly, durably and reliably. Our product range includes over 150 different profiles which are easily and safely connected with our connectors.



Tube Clamp System RVS®

The Tube Clamp System provides creative and versatile solutions in response to a huge variety of requirements in the field of machine and apparatus construction. An optimal static is guaranteed thanks to the precise machined clamping elements.



Accessories

The Kanya modular system allows an easy fixing of various accessories. The assortment of over 1'500 articles ranges from end caps, base connecting elements, panels up to angle extrusions and much more.



50 base extrusion

These extrusions are used wherever very high loads with small deflections must be supported.

45 base extrusion

Ideal complement to other extrusions with base 50, 40, 30 and 20.

40 base extrusion

The universal extrusion is extremely stable and has a good price-performance ratio.

30 base extrusion

Lightweight but stable extrusion for simple constructions and universal use.

20 base extrusion

Can be used for low load-bearing and filigree constructions.



Aluminium extrusion from A-Z

Kanya system advantage

Due to the same nutdimension all different parts are compatible with each other.



Product line

Workplace systems

Kanya Ergoplace offers efficient, ergonomic and tailor-made solutions for workplaces in industry and business. The range includes tables with height-adjustable lifting columns, lights, brackets, shelves, base units and much more. Based on the Ergoplace checklist we will be happy to find out your needs.



KLINK®

The Kanya Klink system makes it even easier to keep things in order, maintain an overview thus increase productivity. The Klink system consists of shelves of different sizes, a suspension extrusion and suspension rails which can be easily hooked into the workstation. This reaches finally an end to the search for tools.

Machining doors

Kanya Safe is a modular system solution for safety doors and protective enclosures. Numerous solutions can be implemented in a wide range of applications with the flexible modules and components. Kanya Safe offers the right solution for every requirement, regardless of whether it is for a machine housing, a double lifting-door or a multi-part safety door. The system solution can be altered or modified at any time to meet the requirements.



More information



Kanya Ergoplace – Overview
Workplace systems for better ergonomics (6-page leaflet)



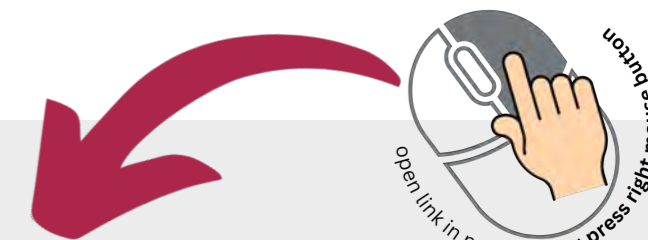
Kanya Ergoplace – General brochure
General brochure about workplace systems with checklist (40-page brochure)



Kanya Safe
Modular safety doors and protective enclosures



Kanya Klink
The suspension console for maximum flexibility



Please order the brochures on our website or download the requested brochure as PDF.
www.kanya.com/service



Machine base frame and housing



Workplace systems



Operating material



Machining door



Automation and conveyor technology



Protective cabinet and noise protection

**You have ideas.
We have the solution.**

Machine base frame and housing

Today, machine claddings do not just fulfil the task of protecting persons, but rather they are an integral part of the machine with a high demand on design. For a high-quality cladding that is tailored to the machine, the versatility of the Kanya aluminium profile modular constructions present the ideal prerequisites.

The standard anodised profiles can also be powder-coated to the desired colours. In combination with a wide variety of surface elements such as acrylic glass, wood and metal, the opportunity presents itself for setting the emphasis on integrating the machine in a sophisticated overall appearance.

Kanya system benefits

- ✓ high protective function such as safety, noise and sound protection
- ✓ sophisticated overall appearance (design)
- ✓ according to the machinery directives



Solutions



Machine housing

Plastic parts processing after injection moulding process

Properties:

- protected region
- several opening ranges
- robust design and stability

Machine top

Injection moulding machine for PET manufacture.

Properties:

- dust protection
- sliding frames



Machine base frame

Transport and production module in the circuit boards industry

Properties:

- rigid rack structure
- attractive design
- modular construction

Workplace systems

The labor law requires an ergonomic design of workplaces. Optimised work processes and a corresponding infrastructure improve productivity. The ergonomic aspect is an important component of a workplace. Heightadjustable workbenches, optimal bench dimensions, lighting and individual tool positioning are just a few examples of a direct or indirect impact on the health, motivation and performance of the employees.

Kanya Ergoplace satisfies all conditions for an ergonomically oriented workplace system. Workplace systems are easy to assemble, are based on a modular design and can be extended flexibly.

Solutions



Packaging workplace in the logistics

Properties:

- height-adjustable desks and workbenches
- optimal desk dimensions
- individual storage shelves

Assembly workstation in the production area

Properties

- height-adjustable desks and workbenches
- individual tool positioning
- lighting depending on the work process



Interlinked workplace (assembly and production line)

Properties:

- simple to complex solutions
- modular and flexible

Kanya system benefits

- ✓ customized solution
- ✓ ergonomically optimized
- ✓ modular, flexible and simple installation
- ✓ «Industry 4.0» solution



Workplace systems Ergoplace



Operating material

Whether it be tool trolleys, medicine trolleys or a vehicle construction for a pick-up. Tailor-made solutions can be constructed using the Kanya profile connection system (PVS). Our engineering team has many years of experience in applications with the Kanya aluminium profile modular construction system.

We are equipped with the most modern IT systems with which we formulate solutions for you and set up the required list of items. Use our know-how and tell us your construction ideas.

Kanya system benefits

- ✓ tailor-made solution
- ✓ modular and flexible
- ✓ simple installation

Solutions



Operating tool trolley

- Properties:
- light base frame
 - multifunctional mounting options
 - easy to extend at any time

Workshop trolleys

- Properties:
- lower cabinet integrated as a trolley
 - light frame



Medicine trolley

- Properties:
- robust design and stability
 - personalised access with RFID chip
 - simple cleaning of the material
 - good running characteristics of the rollers



Machining door

Machine doors safely separate the work area between human and machine. But also the opening and closing times, which directly influence the increase in productivity, are also relevant to the safety aspects.

Kanya Safe is a modular system solution for safety doors and protective enclosures. Numerous solutions can be implemented in a wide range of applications with the flexible modules and components. Kanya Safe offers the right solution for every requirement, regardless of whether it is for a machine housing, a double lifting-door or a multi-part safety door. The system solution can be altered or modified at any time to meet the requirements and thus represents a sustainable investment.

Kanya system benefits

- ✓ simple, ready-to-install solution with drop guard
- ✓ robust construction and thin construction depth
- ✓ extremely compact design
- ✓ CE compliant (EC declaration of conformity)



Brochure Door solutions



Solutions



Double lifting-door

Properties:

- high opening speed
- minimal effort when opening and closing
- laser resistant, resistant against contamination due to Kanya sliding guides
- integrated protective machine door control system double-lifting door

Machine safety door

Properties:

- free access for loading and unloading
- double lifting-door



Laser protection lift door

Properties:

- ready-to-install solution
- robust construction
- laser protection class 4

Automation and conveyor technology

In the manufacturing processes of today, economic flexibility is in particular demand. A wide variety of construction parts are assembled, processed or measured at increasingly shorter intervals on specially manufactured clamping and mounting devices.

The Kanya profile system ensures that the layout of the devices does not become a disproportional cost factor,. The versatility and modularity of the modular construction system enables the widest variety of requirements to be cost-effectively and readily adapted.

Kanya system benefits

- ✓ simple, ready-to-install solution
- ✓ robust construction and thin construction depth
- ✓ easy mounting of sensors and adapters
- ✓ flexible adjustments can be made later



Solutions

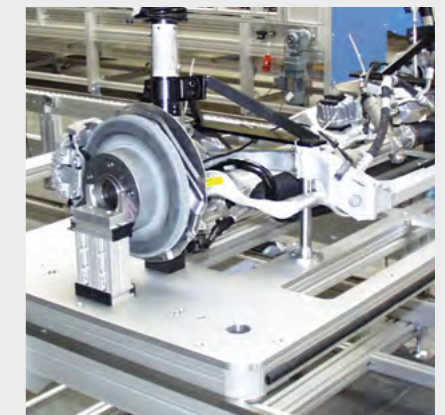


Table conveyor system with chain conveyor

- Properties:
- tight bends save storage space
 - easy to assemble

Conveyor system for an assembly system for automobile axles

- Properties:
- load capacities up to 400 kg/cassette
 - freely configurable
 - low-noise
 - robust and durable



Conveyor system for automation of a processing machine

- Properties:
- high modularity for complex layouts
 - used for loading and unloading of processing machines
 - robust and durable



Protective cabinet and noise protection

The effects of noise pollution at the workplace on concentration, performance and motivation as well as the well-being of the employees must not be underestimated. If the permissible threshold limits are continuously exceeded, sustained noise leads to health damage. For this reason, the Occupational Safety Act specifies very clear reference values that protect health and safety.

Kanya system benefits

- ✓ individual noise protection systems prevent health damage
- ✓ comply with the employment law (EU: Occupational Safety Act)
- ✓ protection against mechanical damage



Solutions



Protection cabin

Low-pressure cabin for the manufacture of power storage modules

Properties:

- extremely airtight construction
- ESD construction
- accessibility through large sliding doors

Noise protection

Noise protection cladding for winding machine electric motors

Properties:

- noise level reduction
- unhindered access through the door front with special noise protection glazing



Noise protection

Noise protection airlock for endurance test system of angles grinders

Properties:

- noise level reduction of 28 dB(A)
- total access to the test room
- unhindered access through the door front with special noise protection glazing

Material data

Material data of aluminium extrusions

Alloy	EN AW-6063	
Quality	T66	Temper-hardened (F25)
Tolerances	DIN EN 12020-2	
Density/weight	δ : 2.7 g/cm ³	
Tensile strength	R _m : min 245 N/mm ²	
Yield	R _{p0.2} : min 200 N/mm ²	
Elongation	A ₅ : min 8%	
	A ₁₀ : min 6%	
Module of elasticity	E: 70 KN/mm ²	
Brinell hardness	HB ~80	
Surface	E6/EV1 (anodised, aluminium coloured) Layer thickness 10 μ	Colour anodised or powder coated on request in accordance with the RAL table, raw
Thermal expansion	0.0232 mm/m/° Δ t	

Alloy	EN AW-6060	
Quality	T66	Temper-hardened (F22)
Tolerances	DIN EN 12020-2	
Density/weight	δ : 2.7 g/cm ³	
Tensile strength	R _m : min 215 N/mm ²	
Yield	R _{p0.2} : min 160 N/mm ²	
Elongation	A ₅ : min 8%	
	A ₁₀ : min 6%	
Module of elasticity	E: 70 KN/mm ²	
Brinell hardness	HB ~75	
Surface	E6/EV1 (anodised, aluminium coloured) Layer thickness 10 μ	Colour anodised or powder coated on request in accordance with the RAL table, raw
Thermal expansion	0.0232 mm/m/° Δ t	

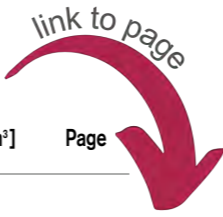


Technical data



50 mm base extrusion

50 mm base extrusion	Type		Alloy	Weight [kg/m]	I _{x,y} [cm ⁴]	W _{x,y} [cm ²]	Page
Four sided softline extrusion 50x50	Type A10-0		EN AW-6060	2.4	22.1	8.22	50
Lightweight extrusion 50x50	Type A02-1		EN AW-6063	1.8	16.07	6.42	51
Base extrusion 50x50	Type A01-1		EN AW-6063	2.3	20.88	8.35	52
Heavy duty extrusion 50x50	Type MA1-1		EN AW-6063	3.1	29.37	11.75	52
Face extrusion 50x50	Type A01-8		EN AW-6063	2.2	20.38, 19.61	8.15, 7.55	53
Corner extrusion 50x50	Type A01-7		EN AW-6060	2.0	17.7	7.05	53
Double face extrusion 50x50	Type A02-4		EN AW-6063	2.0	19.59, 18.17	7.83, 7.27	54
Angle extrusion 50x45°	Type A02-8		EN AW-6063	1.7	13.10	4.50	54
Face panel extrusion 50x50	Type A03-8		EN AW-6060	2.2	20.40, 19.72	8.07, 7.89	55
Lightweight extrusion 50x100	Type A02-2		EN AW-6063	3.8	148.15, 37.15	29.63, 15.00	56
Base extrusion 50x100	Type A01-2		EN AW-6063	4.6	149.84, 41.25	29.97, 16.50	57
Heavy duty extrusion 50x100	Type MA1-2		EN AW-6063	5.3	198.66, 50.28	39.73, 20.11	58



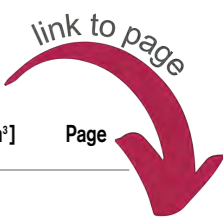
50 mm base extrusion

50 mm base extrusion	Type		Alloy	Weight [kg/m]	I _{x,y} [cm ⁴]	W _{x,y} [cm ²]	Page
Face extrusion 50x100	Type MA1-4		EN AW-6063	5.2	203.67, 54.31	40.73, 21.03	59
Radius extrusion 100x100	Type A03-9		EN AW-6063	3.2	100.00	20.00	60
Base extrusion 100x100	Type MA3-5		EN AW-6063	7.3	330.90	66.018	61
Heavy duty extrusion 100x100	Type MA1-5		EN AW-6063	8.9	363, 345	76, 73	62
Corner extrusion 100x100	Type A03-7		EN AW-6063	7.1	314.10	62.82	63
Beam extrusion 50x150	Type MA1-3		EN AW-6063	7.0	599.8, 71.9	81.11, 29.42	64
Beam extrusion 50x200	Type MA1-6		EN AW-6063	8.8	1315.83, 92.71	131.58, 37.08	65
Heavy duty extrusion 100x200	Type MA1-9		EN AW-6063	16.4	2435.3, 705.6	243.53, 141.12	66
Base extrusion 150x150	Type MA1-8		EN AW-6063	13.3	1264.46	168.59	67

45 mm base extrusion













45 mm base extrusion	Type	Alloy	Weight [kg/m]	I _{x,y} [cm ⁴]	W _{x,y} [cm ²]	Page
Four sided softline extrusion 45x45	Type E10-1	EN AW-6063	2.1	14.07	6.25	68
Light extrusion 45x45	Type E02-1	EN AW-6063	1.7	13.16	5.85	68
Base extrusion 45x45	Type E01-1	EN AW-6063	2.1	16.12	7.16	69
Face extrusion 45x45	Type E02-6	EN AW-6063	1.6	11.76, 12.20	5.13, 5.42	69
Corner extrusion 45x45	Type E02-7	EN AW-6063	1.5	11.75, 11.83	5.12, 5.16	70
Double face extrusion 45x45	Type E02-4	EN AW-6063	1.6	11.46, 12.33	5.09, 5.48	70
Softline extrusion 45x45	Type E03-1	EN AW-6063	1.5	9.70	3.80	71
Light extrusion 45x90	Type E02-3	EN AW-6063	2.8	90.44, 23.62	20.10, 10.50	72
Base extrusion 45x90	Type E01-3	EN AW-6063	3.5	109.54, 29.77	24.34, 13.23	73
Face extrusion 45x90	Type E01-14	EN AW-6063	3.5	109.45, 30.23	24.32, 13.38	74
Corner extrusion 45x90	Type E02-2	EN AW-6063	2.7	82.76, 22.31	18.26, 9.79	75
Beam extrusion 45x135	Type E01-19	EN AW-6063	4.9	334.22, 43.41	49.51, 19.30	76

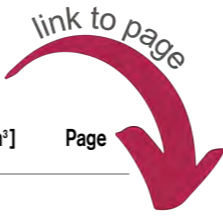
45 mm base extrusion / 40 mm base extrusion






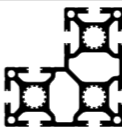
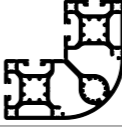

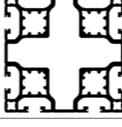
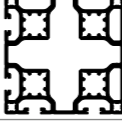


45 mm base extrusion	Type	Alloy	Weight [kg/m]	I _{x,y} [cm ⁴]	W _{x,y} [cm ²]	Page
Beam extrusion 45x180	Type E01-16	EN AW-6063	6.4	743.74, 57.06	82.64, 25.36	77
Light extrusion 90x90	Type E02-5	EN AW-6063	4.7	160.09	35.58	78
Base extrusion 90x90	Type E01-4	EN AW-6063	6.1	205.78	45.73	79
Beam extrusion 90x135	Type E01-13	EN AW-6063	8.1	618.00, 300.57	98.56, 66.79	80
Beam extrusion 90x180	Type E01-5	EN AW-6063	12.1	1525.63, 443.9	169.51, 98.64	81
40 mm base extrusion	Type	Alloy	Weight [kg/m]	I _{x,y} [cm ⁴]	W _{x,y} [cm ²]	Page
Four sided softline extrusion 40x40	Type C10-0	EN AW-6060	1.6	9.6	4.75	82
Four sided softline extrusion 40x80	Type C10-3	EN AW-6060	2.8	69.73, 18.52	17.43, 9.26	82
Four sided softline extrusion 80x80	Type C10-4	EN AW-6060	4.4	119.40	29.85	83
Super lightweight extrusion 40x40	Type C03-1	EN AW-6060	1.3	8.20	4.10	84
Lightweight extrusion 40x40	Type C02-1	EN AW-6063	1.5	9.35	4.67	84

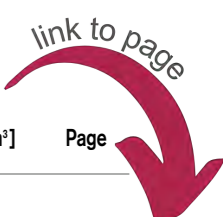
40 mm base extrusion

40 mm base extrusion	Type		Alloy	Weight [kg/m]	I _{x,y} [cm ⁴]	W _{x,y} [cm ²]	Page
Base extrusion 40x40	Type C01-1		EN AW-6063	2.0	11.70	5.75	85
Face extrusion 40x40	Type C01-8		EN AW-6063	2.0	11.66, 11.67	5.78, 5.83	85
Corner extrusion 40x40	Type C01-7		EN AW-6063	1.5	9.21	4.53	86
Double face extrusion 40x40	Type C02-4		EN AW-6063	1.5	9.56, 9.21	4.78, 4.60	86
Face panel extrusion 40x40	Type C04-2		EN AW-6063	1.6	9.13, 9.92	4.57, 4.96	87
Corner panel extrusion 40x40	Type C04-7		EN AW-6063	1.6	9.53	4.76	87
45° angle extrusion	Type C04-4		EN AW-6060	1.5	8.46, 9.11	3.01, 3.44	88
40x45° angle extrusion	Type C02-8		EN AW-6063	1.2	6.30	2.70	88
Softline extrusion 40x40	Type C03-8		EN AW-6060	1.3	6.70	2.97	89
Light extrusion 40x80	Type C02-3		EN AW-6063	2.8	64.90, 17.70	16.23, 8.85	90
Base extrusion 40x80	Type C01-3		EN AW-6063	3.7	81.95, 22.74	20.49, 11.37	90
Face extrusion 40x80	Type C01-5		EN AW-6063	2.6	64.40, 17.20	16.10, 8.60	91



40 mm base extrusion

40 mm base extrusion	Type		Alloy	Weight [kg/m]	I _{x,y} [cm ⁴]	W _{x,y} [cm ²]	Page
Light extrusion 40x120	Type C03-9		EN AW-6060	4.0	203.49, 25.75	33.91, 12.87	91
Beam extrusion 40x120	Type C01-9		EN AW-6063	5.36	263.2, 33.94	43.09, 16.72	92
Beam extrusion 40x160	Type C02-9		EN AW-6063	7.0	602.2, 45	74.09, 22.18	93
L-shaped extrusion 80x80x40	Type C01-6		EN AW-6063	5.0	108.05	23.56	94
Corner extrusion 80x80x40 round	Type C03-6		EN AW-6060	3.6	76.40	19.10	95
Base extrusion 80x80	Type C01-4		EN AW-6063	6.0	154.70	38.68	96
Lightweight extrusion 80x80	Type C03-4		EN AW-6063	4.4	115.66	28.92	96
Corner extrusion 80x80	Type C03-7		EN AW-6060	4.5	117.70	29.43	97
Beam extrusion 80x120	Type MC1-2		EN AW-6063	8.4	451.20, 219.76	75.20, 54.94	98
Heavy duty extrusion 80x160	Type MC1-9		EN AW-6063	11.0	1018.98, 296.53	112.37, 74.13	99

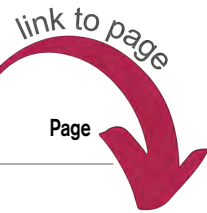


30 mm base extrusion

30 mm base extrusion	Type		Alloy	Weight [kg/m]	I _{x,y} [cm ⁴]	W _{x,y} [cm ²]	Page
Four sided softline extrusion 30x30	Type B10-0		EN AW-6060	1.0	3.30	2.20	100
Super lightweight extrusion 30x30	Type B03-1		EN AW-6060	0.7	2.63	1.76	100
Lightweight extrusion 30x30	Type B02-1		EN AW-6063	0.9	2.95	1.97	101
Heavy duty extrusion 30x30	Type MB1-1		EN AW-6063	1.1	3.82	2.54	101
Face extrusion 30x30	Type B03-2		EN AW-6063	0.8	2.85, 2.83	1.90, 1.83	102
Face extrusion with panel slots 30x30	Type B02-2		EN AW-6063	0.9	2.93, 2.76	1.93, 1.84	102
Corner extrusion 30x30	Type B02-3		EN AW-6063	0.8	2.70	1.75	103
Corner panel extrusion 30x30	Type B01-3		EN AW-6063	0.8	2.70	1.75	103
Double face extrusion 30x30	Type B02-4		EN AW-6063	0.8	2.73, 2.74	1.82, 1.83	104
Softline extrusion 30x30	Type B01-8		EN AW-6060	0.7	2.16	1.44	104
Angle extrusion 30°	Type B04-3		EN AW-6060	0.9	3.23, 2.89	1.54, 1.48	105
Angle extrusion 45°	Type B04-4		EN AW-6060	0.9	3.14, 2.91	1.44, 1.45	105









30 mm base extrusion

30 mm base extrusion	Type		Alloy	Weight [kg/m]	I _{x,y} [cm ⁴]	W _{x,y} [cm ²]	Page
Angle extrusion 60°	Type B04-6		EN AW-6060	0.9	3.07, 2.94	1.45, 1.51	106
Base extrusion 30x50	Type B01-9		EN AW-6063	1.2	10.94, 4.33	4.38, 2.90	106
Face extrusion 30x50	Type MB2-9		EN AW-6063	1.3	11.30, 4.55	4.52, 3.03	107
Face extrusion with panel slots 30x50	Type MB1-9		EN AW-6063	1.3	11.25, 4.84	4.50, 3.23	107
Base extrusion 30x60	Type B01-6		EN AW-6063	1.5	20.52, 5.20	6.84, 3.47	108
Face extrusion with panel slots 30x60	Type B03-6		EN AW-6060	1.5	19.33, 5.43	6.44, 3.60	108
Corner extrusion 30x60	Type B02-5		EN AW-6063	1.6	5.92, 21.73	7.24, 3.946	109
Base extrusion 60x60	Type B02-6		EN AW-6063	2.4	35.83	11.94	109
Base extrusion 30x100	Type MB1-2		EN AW-6060	2.3	80.77, 8.95	16.15, 5.97	110
Face extrusion with panel slots 30x100	Type B01-2		EN AW-6060	2.1	77.86, 8.79	15.57, 5.72	110
Face extrusion 30x300	Type B03-3		EN AW-6063	5.1	1755.64, 26.06	117.04, 17.30	111
Tube extrusion ø30	Type R03-98		EN AW-6063	0.6	13.13	8.75	111



link to page









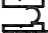
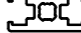
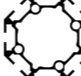

20 mm base extrusion

20 mm base extrusion	Type		Alloy	Weight [kg/m]	I _{x,y} [cm ⁴]	W _{x,y} [cm ²]	Page
Base extrusion 20x20	Type D01-5		EN AW-6060	0.4	0.60	0.60	112
Corner extrusion 20x20	Type D01-3		EN AW-6063	0.4	0.65	0.65	112
Face extrusion 20x20	Type D01-8		EN AW-6060	0.4	0.68, 0.59	0.68, 0.59	112
Softline extrusion 20x20	Type D03-8		EN AW-6060	0.4	0.47	0.47	113
Base extrusion 20x40	Type D01-7		EN AW-6060	0.7	3.91, 1.10	1.95, 1.10	113
Face extrusion 20x40	Type D02-8		EN AW-6060	0.8	4.15, 1.26	2.07, 1.18	113
Face extrusion 20x50	Type D02-5		EN AW-6063	0.9	7.71, 1.58	3.08, 1.58	114
Face extrusion 20x100	Type D02-1		EN AW-6063	1.6	55.5, 3.01	11.1, 3.01	114

link to page















Special extrusions

Special extrusions	Type		Alloy	Weight [kg/m]	I _{x,y} [cm ⁴]	W _{x,y} [cm ²]	Page
Wall rail 18x50	Type A19-9		EN AW-6063	0.9	-	-	116
Slot extrusion 16x40	Type C08-1		EN AW-6063	1.0	-	-	116
Slot extrusion 20x80	Type C08-2		EN AW-6063	2.4	54.49, 3.97	13.62, 3.97	117
Slot extrusion 20x120	Type C08-3		EN AW-6063	4.4	177.95, 6.31	29.66, 6.31	117
Triple channel extrusion 30x15	Type B05-1		EN AW-6060	0.3	-	-	118
19° auxiliary extrusion	Type A05-2		EN AW-6060	0.5	-	-	119
19° auxiliary extrusion	Type B05-2		EN AW-6060	0.4	-	-	119
Box frame extrusion 30x95	Type B01-7		EN AW-6060	1.8	55.99, 7.94	11.79, 5.29	120
Runner extrusion 30x50	Type B10-9		EN AW-6063	1.1	9.17, 4.51	3.37, 2.98	120
Frame extrusion 30x15	Type B15-1		EN AW-6063	0.7	1.4, 0.71	0.933, 0.473	121
30 mm base octagonal extrusion	Type B15-3		EN AW-6063	2.8	51.01	14.09	121
Double clamping extrusion 16x50	Type A05-7		EN AW-6063	0.46	-	-	122













link to page

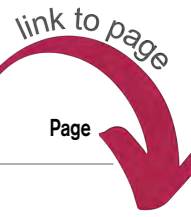


Special extrusions

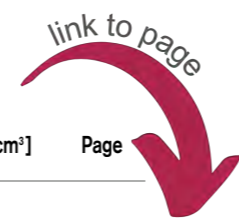
Special extrusions	Type		Alloy	Weight [kg/m]	I _{x,y} [cm ⁴]	W _{x,y} [cm ³]	Page
Panel clamp extrusions 13.5x50	Type A05-8		EN AW-6060	0.3	-	-	122
Panel clamp extrusions 13.6x40	Type C05-8		EN AW-6060	0.3	-	-	122
U-clamping extrusion 8x13.5	Type B19-6		EN AW-6060	0.1	-	-	123
Suspension extrusion base 30	Type S91-013		EN AW-6063	0.14	-	-	123
Support extrusion 11x30.5	Type B19-7		EN AW-6060	0.4	-	-	124
Aluminium guide extrusion	Type B19-8		EN AW-6060	0.2	-	-	124
Angle extrusion 38x38	Type A30-0		EN AW-6060	1.5	-	-	125
Angle extrusion 31x31	Type C30-0		EN AW-6060	0.9	-	-	125
Angle extrusion 60x60	Type A30-2		EN AW-6060	2.8	-	-	125
Angle extrusion 70x70	Type C30-3		EN AW-6060	2.5	-	-	125
Angle extrusion 85x85	Type E30-3		EN AW-6060	3.7	-	-	126
Angle extrusion 100x100	Type A30-3		EN AW-6060	6.4	-	-	126

Special extrusions

Special extrusions	Type		Alloy	Weight [kg/m]	I _{x,y} [cm ⁴]	W _{x,y} [cm ³]	Page
Angle extrusion 60x120	Type A47-0		EN AW-6060	4.6	-	-	127
Angle extrusion 25x35	Type A30-5		EN AW-6060	0.7	-	-	127
Hinge extrusion 54x17	Type A60-6		EN AW-6060	1.3	-	-	128
Hinge extrusion 44x17	Type C60-6		EN AW-6060	1.1	-	-	128
Hinge extrusion 57.5x8	Type A60-1		EN AW-6063	1.3	-	-	128
Hinge extrusion 47.5x8	Type B60-1		EN AW-6063	1.1	-	-	128
Hinge extrusion 47x4	Type A60-2		EN AW-6060	0.5	-	-	128
Hinge extrusion 37x4	Type B60-2		EN AW-6060	0.4	-	-	128
Hinge extrusion 36.5x20	Type A60-5		EN AW-6063	1.2	-	-	128
Handle strip extrusion 30x35	Type B65-6		EN AW-6063	0.6	-	-	129
Base 50 block extrusion	Type A34-0		EN AW-6060	1.6	-	-	129
Base 40 block extrusion	Type C34-0		EN AW-6060	1.3	-	-	129



Special extrusions	Type	Alloy	Weight [kg/m]	$I_{x,y}$ [cm ⁴]	$W_{x,y}$ [cm ³]	Page
Base 30 block extrusion	Type B34-0	EN AW-6060	0.5	-	-	129
Rectangular tube 55x55	Type A19-5	EN AW-6060	1.3	21.58	7.85	130
Rectangular tube 50x50	Type E19-5	EN AW-6060	1.0	14.75	5.9	130
Rectangular tube 45x45	Type C19-5	EN AW-6060	1.0	11.4	5.06	130
Rectangular tube 35x35	Type B19-5	EN AW-6060	0.7	4.8	2.74	130
Counterweight extrusion 50x100	Type A19-2	EN AW-6063	3.3	41.82, 16.43	8.36, 6.57	131

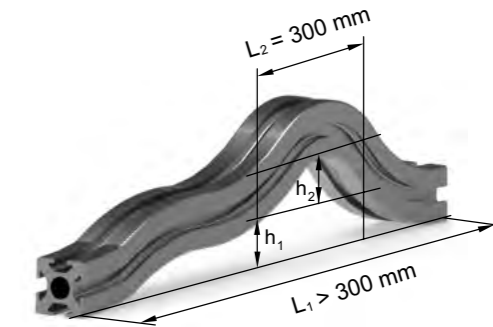


Extrusion tolerances, extract from EN 12020-2

1. Straightness tolerances

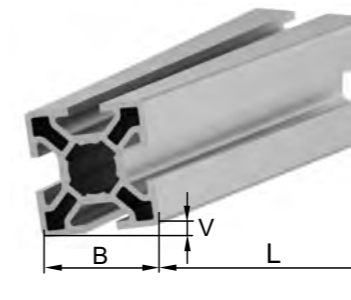
Cavity extrusions may not exceed the values stated in the table for the straightness tolerances h_1 . The deviation h_2 may not exceed a maximum of 0.3 mm over any length of $l_2 = 0.3$ mm.

Length l_1 in m	up 1 m	up 2 m	up 3 m	up 4 m	up 5 m	up 6 m
Tolerance h_1 in mm	0.7	1.3	1.8	2.2	2.6	3.0



2. Twist tolerance v

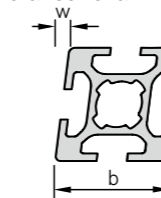
The length-dependent twist tolerance v for cavity extrusions is shown in the table.



Width b in mm	Flatness tolerance v in mm for lengths in mm					
	- 1000	> 1000-2000	- 2000-3000	> 3000-4000	> 4000-5000	> 5000-6000
- 25	1.0	1.5	1.5	2.0	2.0	2.0
> 25 - 50	1.0	1.2	1.5	1.8	2.0	2.0
> 50 - 75	1.0	1.2	1.2	1.5	2.0	2.0
> 75 - 100	1.0	1.2	1.5	2.0	2.2	2.5
> 100 - 125	1.0	1.5	1.8	2.2	2.5	3.0
> 125 - 150	1.2	1.5	1.8	2.2	2.5	3.0
> 150 - 200	1.5	1.8	2.2	2.6	3.0	3.5
> 200 - 300	1.8	2.5	3.0	3.5	4.0	4.5

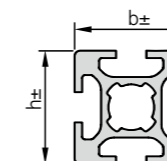
3. Inclination tolerance w

Where sides are of unequal length, inclination tolerance shall be relative to the angle of the shorter side.



Width b in mm	Inclination tolerance w in mm	Width b in mm	Inclination tolerance w in mm
- 30	0.3	> 120 - 140	0.8
> 30 - 50	0.4	> 140 - 160	0.9
> 50 - 80	0.5	> 160 - 180	1.0
> 80 - 100	0.6	> 180 - 200	1.2
> 100 - 120	0.7	> 200 - 240	1.5

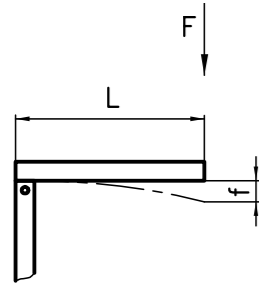
4. External tolerances



Width b, h in mm	Deviation in mm	Width b, h in mm	Deviation in mm
> 15 - 30	± 0.25	> 120 - 150	± 0.80
> 30 - 45	± 0.30	> 150 - 180	± 1.00
> 45 - 60	± 0.40	> 180 - 240	± 1.20
> 60 - 90	± 0.45	> 240 - 300	± 1.50
> 90 - 120	± 0.60		

Strength calculations

Load case 1



$$f [\text{mm}] = \frac{0.476 \times F [\text{N}] \times L^3 [\text{m}]}{I [\text{cm}^4]}$$



Example:

A counterweight with a max. load of 500 N is to be fastened to an extruded arm 800 mm long. What will be the deflection of a 40x40 mm C01-1 type base extrusion?

$$\text{Deflection } f = \frac{0.476 \times 500 \times 0.8^3}{11.70} = 10.42 \text{ mm}$$

Checking the bending stress:

$$\delta = \frac{M_b}{W \times 10^3}$$

δ = bending stress in N/mm²
 M_b = max. bending moment in Nmm
 W = section modulus in cm³

Example:

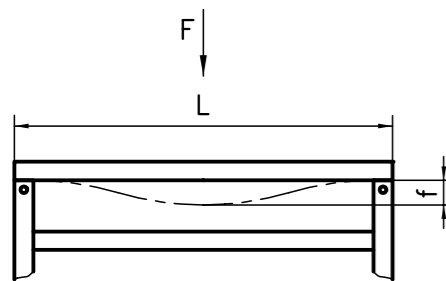
An 1800 N load is placed in the middle of a beam. The unsupported length is 1200 mm. The max. permissible deflection is 1.0 mm. What sort of extrusion should be used for the beam?

$$\text{Deflection } f = \frac{0.0074 \times F \times L^3}{I} \Rightarrow I = \frac{0.0074 \times F \times L^3}{f}$$

$$\text{Moment of inertia } I = \frac{0.0074 \times 1800 \times 1.2^3}{1.0} = 23.02 \text{ cm}^4$$

⇒ Selection: Use a heavy duty extrusion MA1-1 where $I = 29.37 \text{ cm}^4$

Load case 2

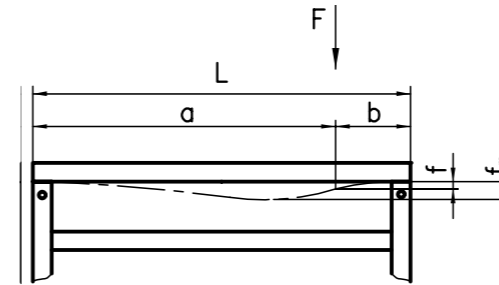


$$f [\text{mm}] = \frac{0.0074 \times F [\text{N}] \times L^3 [\text{m}]}{I [\text{cm}^4]}$$



All calculation examples are based on clamped condition.

Load case 3



$$f [\text{mm}] = \frac{0.476 \times F [\text{N}] \times a^3 [\text{m}] \times b^3 [\text{m}]}{I [\text{cm}^4] \times L^3 [\text{m}]}$$



Example:

A cross-beam measuring 2500 mm in width has to support another beam 850 mm from the end of the cross-beam. The support load is 1200 N. A 50 x 100 base extrusion is used as the cross-beam. How great is the deflection at the point where the beam is placed?

$$\text{Deflection } f = \frac{0.476 \times 1200 \times 1.65^3 \times 0.85^3}{149.84 \times 2.5^3} = 0.67 \text{ mm}$$

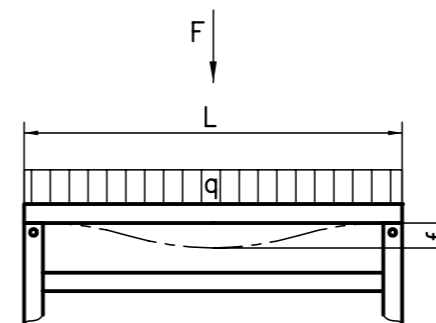
Where:

F = load in N
 L = extrusion length in m
 I = moment of inertia in cm⁴
 f = deflection in mm
 a/b = distance to the load point in m
 q = line load in N/m

$a > b$ $f_m [\text{mm}] = \frac{0.952 \times F [\text{N}] \times a^3 [\text{m}] \times b^3 [\text{m}]}{I [\text{cm}^4] \times L^3 [\text{m}]} \left(\frac{L [\text{m}]}{L [\text{m}] + 2a [\text{m}]} \right)^2$

$a < b$ $f_m [\text{mm}] = \frac{0.952 \times F [\text{N}] \times a^3 [\text{m}] \times b^3 [\text{m}]}{I [\text{cm}^4] \times L^3 [\text{m}]} \left(\frac{L [\text{m}]}{L [\text{m}] + 2b [\text{m}]} \right)^2$

Load case 4



$$f [\text{mm}] = \frac{0.0037 \times F [\text{N}] \times L^3 [\text{m}]}{I [\text{cm}^4]}$$

$$F = q \times L$$



Example:

A measuring plate (whose intrinsic stability is ignored) may not bend by more than 0.4 mm. The measuring table is 1500 mm deep and the line load on each side of the table is 8000 N/m. Which extrusion must be used to support the measurement plate?

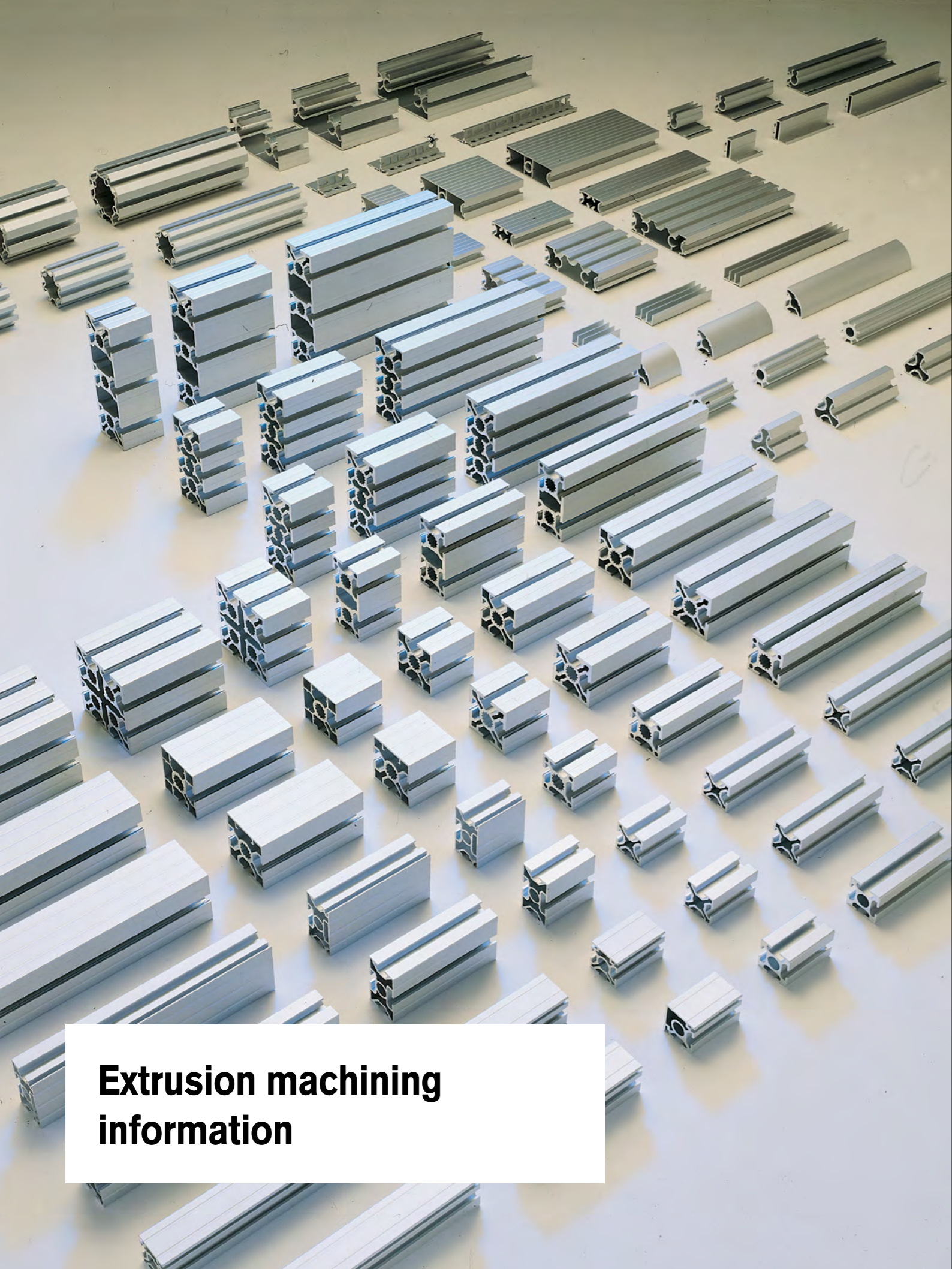
$$F = q \times L = 8000 \times 1.5 = 12000 \text{ N}$$

$$\text{Deflection } f = \frac{0.0037 \times F \times L^3}{I} \Rightarrow I = \frac{0.0037 \times F \times L^3}{f}$$

$$\text{Moment of inertia } I = \frac{0.0037 \times 12000 \times 1.5^3}{0.4} = 374.64 \text{ cm}^4$$

⇒ Selection: Use a heavy duty extrusion MA1-5 (100 x 100) where $I = 380.00 \text{ cm}^4$

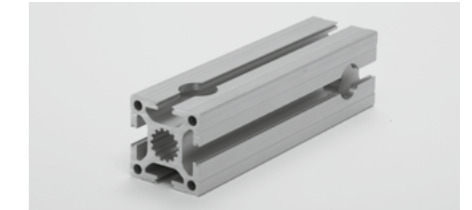
All calculation examples are based on clamped condition.



Extrusion machining information

Ordering overview Extrusion machining codes

The order number is made up of the type of extrusion, with the machining code for each end and the length of the extrusion. The available codes for the machining are listed on the following chart. The code covers the most standard machining.

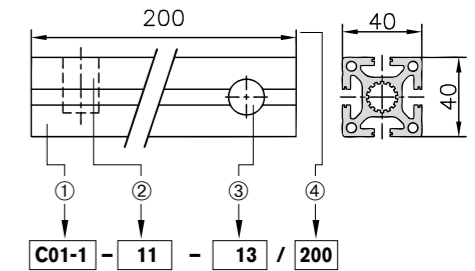


Special machinings are indicated with the order code «-99». In this case, a customer drawing is requested!

An item number is made up of the following:

- ① Select the appropriate design or special extrusion (extrusion type)
- ② Define the machining on the left side of the extrusion according to the following overview if the left side of the extrusion is to be left unmachined: Code -02
- ③ Define the machining on the right side of the extrusion according to the following overview if the right side of the extrusion is to be left unmachined: Code -02
- ④ Indicate the required extrusion length in mm/L

Order number with standard machining



Order number with additional special machining, the order code also indicates -99

Example: C01-1 - 11 - 13 - 99 / 200

Special machining:

- ⑤ -99

MACHINING INFORMATION

CODES

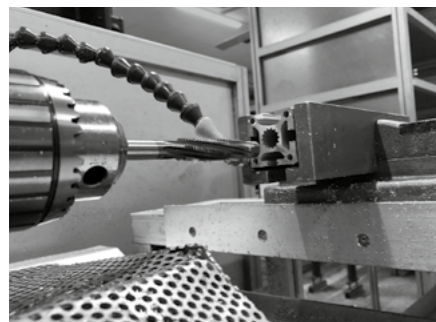
1. Cutting the extrusions to length without any other machining	Extrusion cut to length, tolerance acc. to ISO 2768-m Example: C01-1-02-02/L		-02
2a. Cutting the extrusions to length and the main threads			
1 thread	M16 / M14 x thread length 50mm M16 / M14 x thread length 100mm M16 / M14 x thread length 25mm		-E1 -03 -E3
1 Heli-Coil insert	M6 x ~10mm (only for Ø 6mm)*		-H3
2 thread	M16 / M14 x thread length 50mm M16 / M14 x thread length 100mm M16 / M14 x thread length 25mm		-E2 -04 -E4
2 Heli-Coil inserts	M6 x ~10mm (only for Ø 6mm)*		-H4

* Only for 20 base extrusions with core Ø 6mm

MACHINING INFORMATION

CODES

2a. Cutting the extrusions to length and the main threads			CODES
3 threads	M16 / M14 x thread length 50 M16 / M14 x thread length 100 M16 / M14 x thread length 25		
4 threads	M16 / M14 x thread length 50 M16 / M14 x thread length 100 M16 / M14 x thread length 25		-G4 -06 -E6
6 threads	M16 / M14 x thread length 50 M16 / M14 x thread length 100 M16 / M14 x thread length 25		-G5 -G6 -E7
8 threads	M16 / M14 x thread length 50 M16 / M14 x thread length 100 M16 / M14 x thread length 25		-G7 -G8 -E8
2b. Cutting the extrusions to length and auxiliary threads in the corners			CODES
4 threads	M6 x thread length 15mm		
4 threads	M8 x thread length 20mm		-08
	Example: C01-1-07-02/L on one side 4x M6x15		
2c. Cutting the extrusions to length and threads according to drawing			CODES
	X thread acc. to customer drawing		



MACHINING INFORMATION

CODES

3. Cutting the extrusions to length and PVS® drilling			CODES
1 PVS® hole	Symbolic representation of the extrusion cross-sections		
1 PVS® hole acc. to customer drawing			
2 PVS® holes	Symbolic representation of the extrusion cross-sections		-20 -21 -23 -29
2 PVS® holes acc. to customer drawing			
3 PVS® holes	Symbolic representation of the extrusion cross-sections		-30 -33 -39
3 PVS® holes acc. to customer drawing			

*A different arrangement of the holes must be indicated on the drawing.

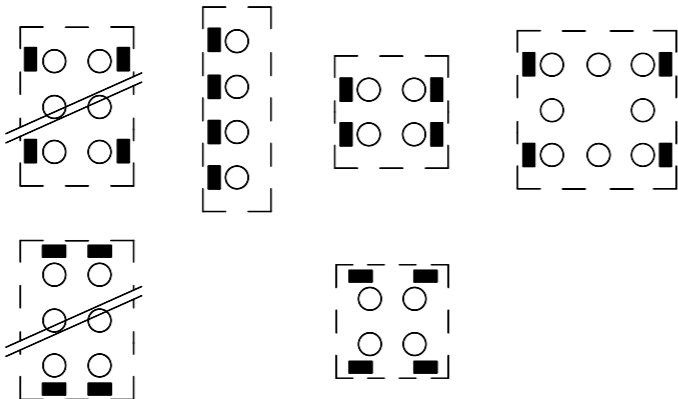
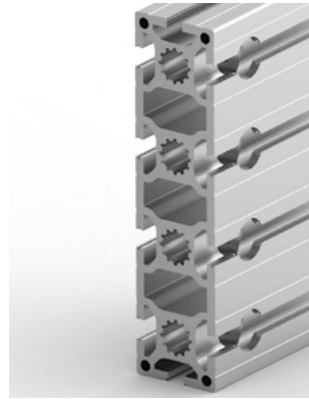
MACHINING INFORMATION

CODES

3. Cutting the extrusion to length and PVS® drilling

4 PVS® holes

Symbolic representation of the extrusion cross-sections



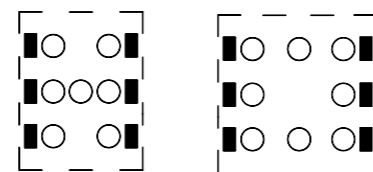
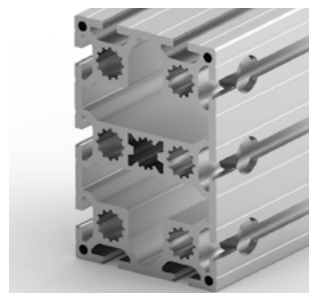
-40

4 PVS® holes acc. to customer drawing

-49

6 PVS® holes

Symbolic representation of the extrusion cross-sections



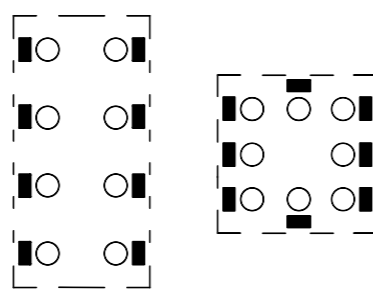
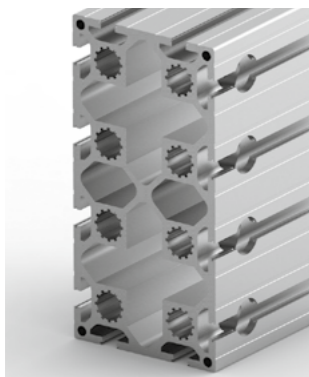
-60

6 PVS® holes acc. to customer drawing

-69

8 PVS® holes

Symbolic representation of the extrusion cross-sections



-80

8 PVS® holes acc. to customer drawing

-89

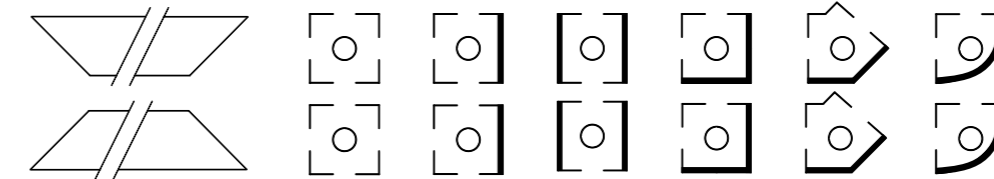
MACHINING INFORMATION

CODES

4. Mitre cut extrusions left right

For mitre cuts on non-symmetrical extrusions, a drawing or sketch is required.

Mitre cut 45° (all extrusions)



Mitre cut

acc. to customer drawing

left right

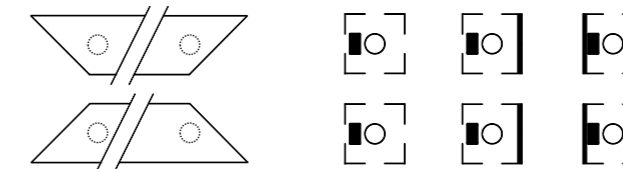
-50 -50

-51 -51

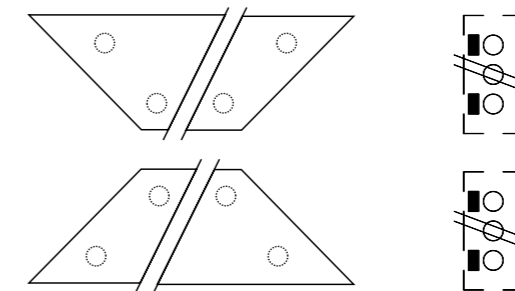
-59 -59

5. Mitre cut extrusions with PVS®-drilling

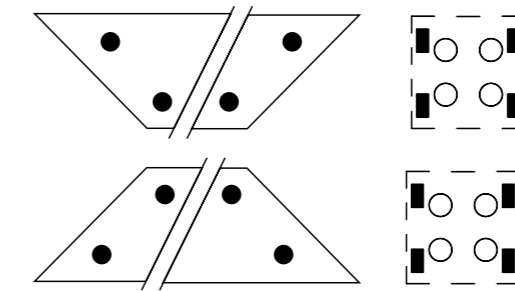
Mitre cut 45° + PVS® hole (extrusions 50x50/45x45/40x40/30x30/20x20)



Mitre cut 45° + 2 PVS® holes



Mitre cut 45° + 4 PVS® holes



Mitre cut + PVS® hole(s) acc. to customer drawing

-70 -70

-71 -71

-72 -72

-73 -73

-74 -74

-75 -75

-79 -79

6. Special machining

All machining which cannot be indicated by a code

-99

Extrusion machining information

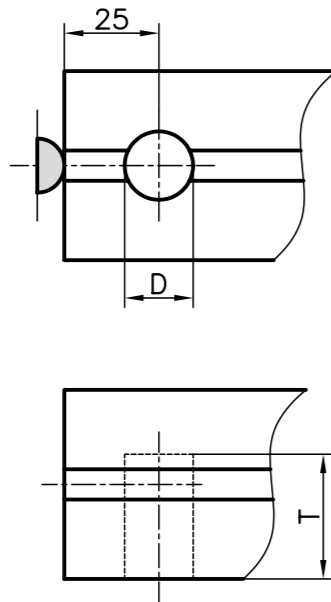
Application

The drill jig and special drill bits make it easy to drill the holes for KANYA's patented PVS® connector. The main advantage of the drill jig is that it clamps directly onto the extrusion. The rotating stop, for square or mitred cuts, guarantees the precise drilling distance.

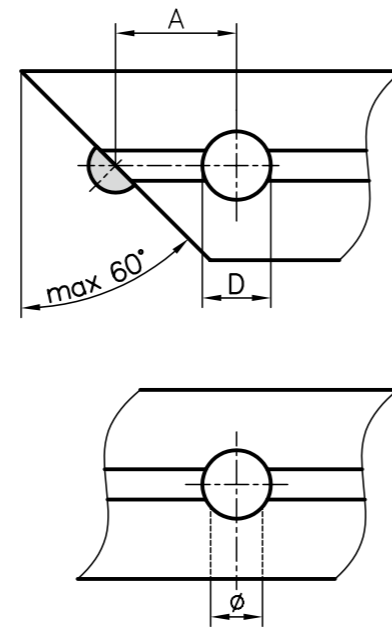
The HSS special drill bit, with the MT2 Morse taper shank, is ground flat to cut the extrusion surface. It can be re-sharpened as often as necessary.

A special drill bit with a 90° point is used to drill the C03-8, B01-8 softline extrusion and the A02-8 and C02-8 angle extrusions.

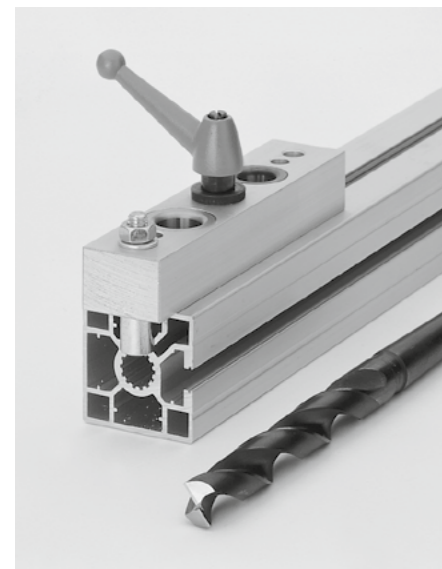
Standard 90° joint "25" stop



Mitre joint "32" stop



That drill, allows a connection for a parallel connector at any position at the extrusion.



Machining data

Extrusion type	D	Ø	A	T
50 base	18.1	13.7	32	33
45 base	18.1	13.7	32	30.5
40 base	18.1	13.7	32	28
30 base	15.1	12.1	32	21.5
20x50, 20x100 base	15.1		32	18
20 base*	7.3		25	

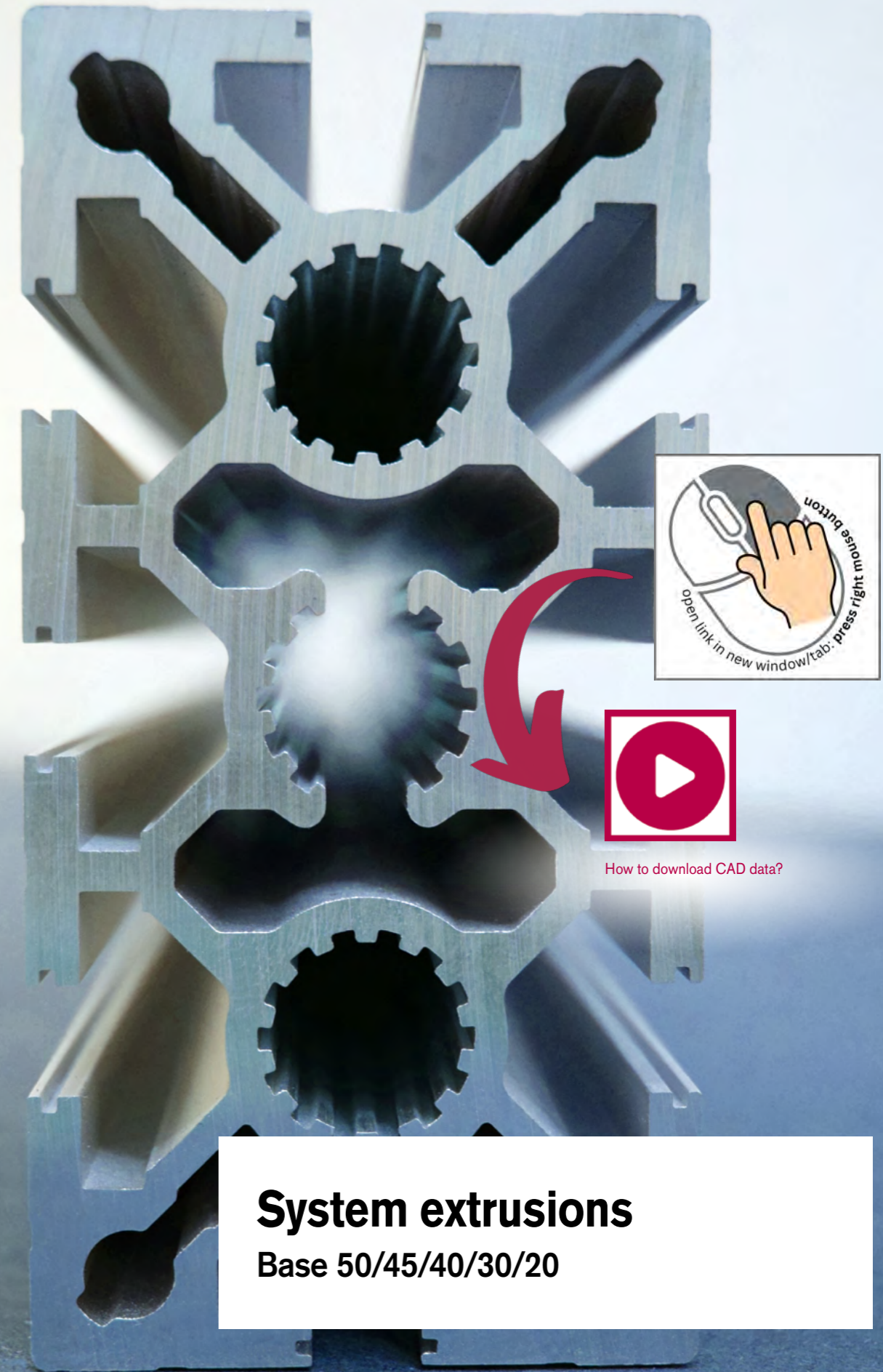
* with a centre hole ø 6mm

Note

The 7.3 mm Ø holes for 20x20/40 extrusions are drilled using a normal twist drill bit without a drill jig.

Order data

Order data	Order number
Drill jig	
50/45/40/30 base	AB95-0
Special drill bits	
to fit the drill jig	
50/45/40 base	A96-1
30 base	B96-2
A02-8, C02-8, C03-8 extrusions	A96-3
B01-8 extrusions	B96-3

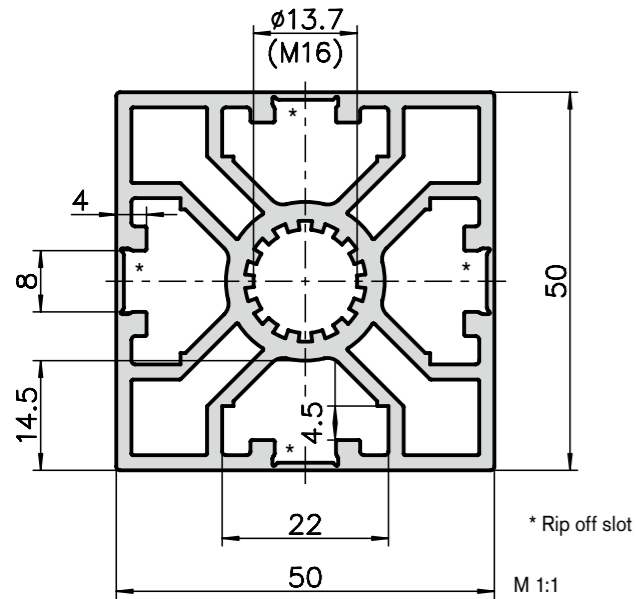


How to download CAD data?

System extrusions
Base 50/45/40/30/20

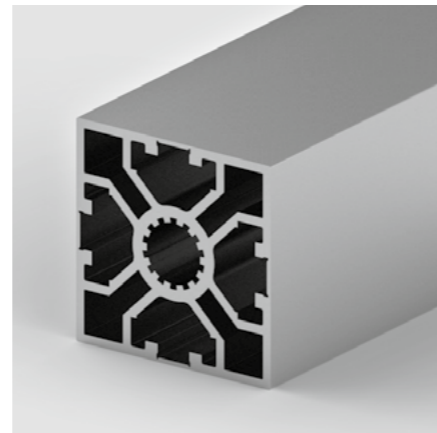


Four sided softline extrusion 50x50 type A10-0



Application

The 50 series Softline extrusion is used to create stable, attractive and easily washable constructions. Ideal for clean room applications. Due to the small curved corners, there are no dirt grooves with a T-connection. A very decorative extrusion which offers the designer many application possibilities whilst at the same time also being lightweight and inexpensive.



Technical data

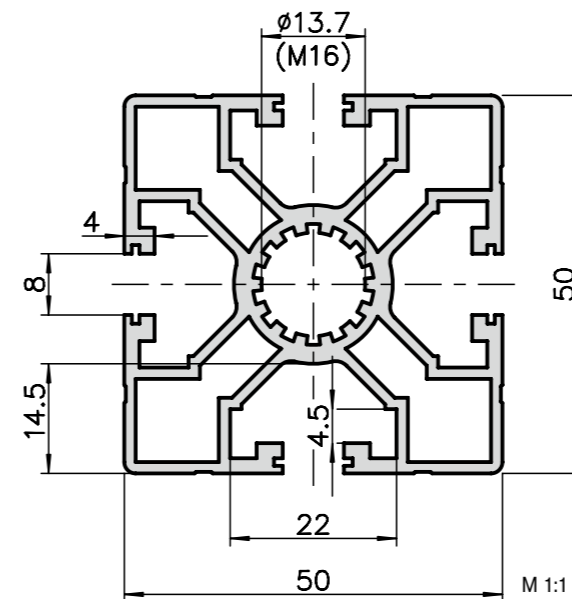
$I_{x,y}$	=	22.10 cm ⁴
$W_{x,y}$	=	8.22 cm ³
Cross-section area	=	8.38 cm ²
Weight	=	2.4 kg/m
Alloy	=	EN AW-6060

Order data Order number

Four sided softline extrusion 50x50	
Standard length 5000 mm	A10-0-5M
Four sided softline extrusion 50x50	
Cut to length	A10-0-02-02/...
Extra machining	Pages 43-47

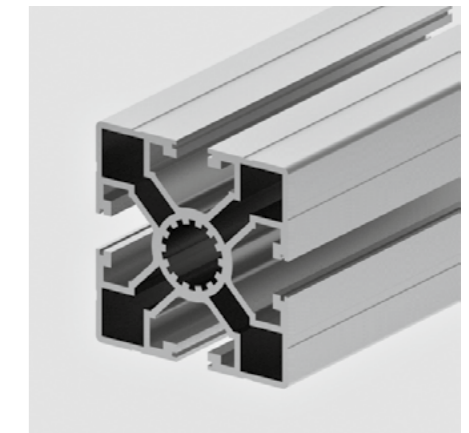
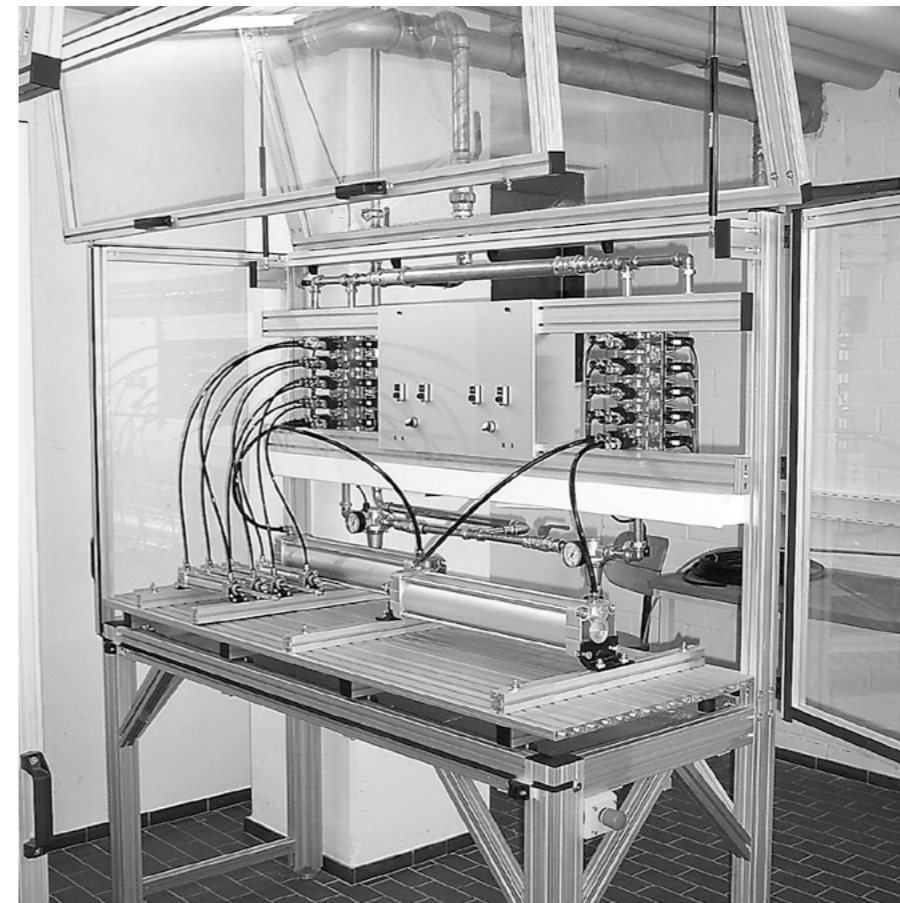


Lightweight extrusion 50x50 type A02-1



Application

The light extrusion 50x50 offers many possibilities to the budget-minded engineer. Whether for machine guarding or machine chassis, in a light build version, this universal extrusion offers tremendous value.



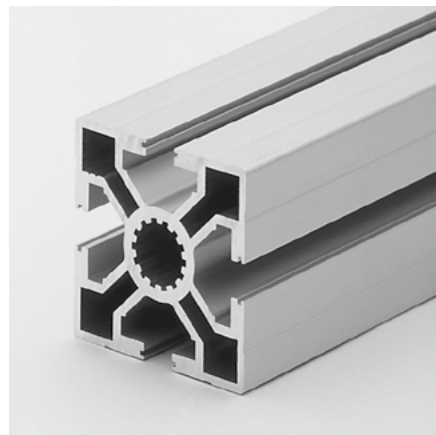
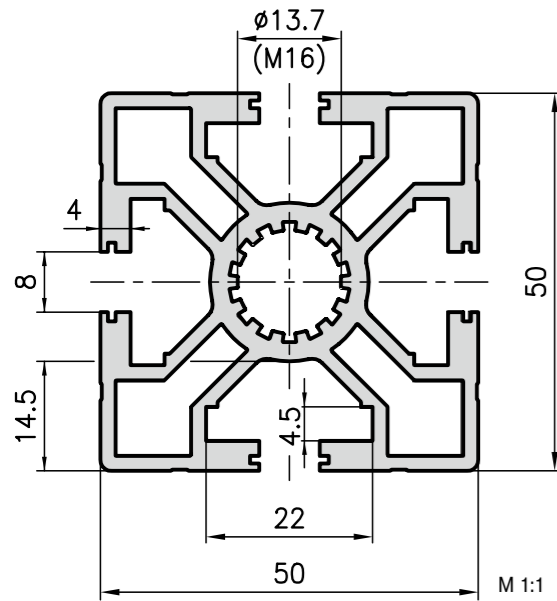
Technical data

$I_{x,y}$	=	20.56 cm ⁴
$W_{x,y}$	=	6.42 cm ³
Cross-section area	=	6.71 cm ²
Weight	=	2.17 kg/m
Alloy	=	EN AW-6063

Order data Order number

Lightweight extrusion 50x50	
Standard length 5000 mm	A02-1-5M
Lightweight extrusion 50x50	
Cut to length	A02-1-02-02/...
Extra machining	Pages 43-47

50x50 base extrusion type A01-1



Application

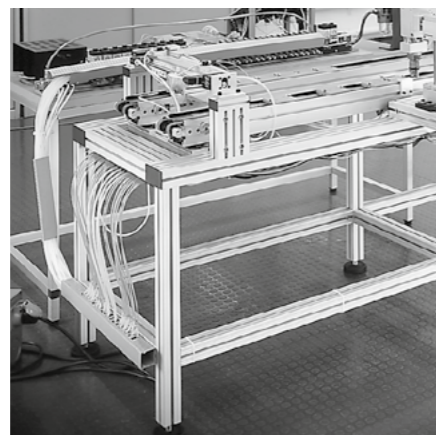
These two extrusions are suitable for most design tasks thanks to their excellent weight and strength properties. Their useful features include holes for direct threading and small guide slots to cover the openings in the extrusions with aluminium strips, 0.8x10 [page 185](#).

Technical data

$I_{x,y}$	=	20.88 cm ⁴
$W_{x,y}$	=	8.35 cm ³
Cross-section area	=	8.55 cm ²
Weight	=	2.3 kg/m
Alloy	=	EN AW-6063

Order data

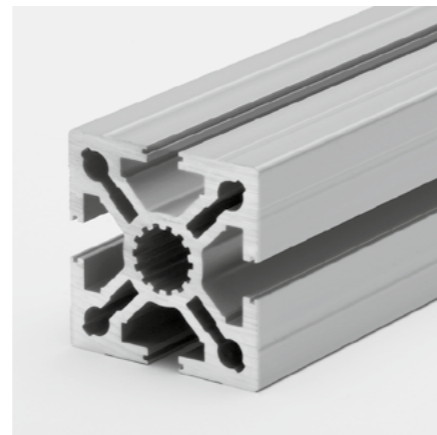
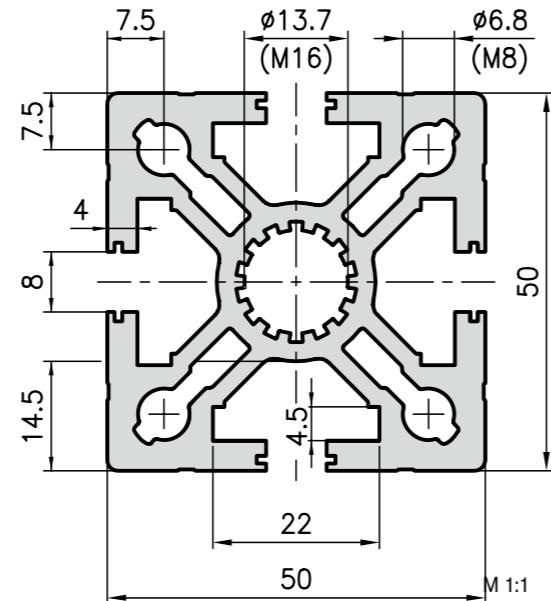
Order data	Order number
50x50 base extrusion	
Standard length 5000 mm	A01-1-5M
Standard length 6000 mm	A01-1-6M
50x50 base extrusion	
Cut to length	A01-1-02-02/...



Extra machining

[Pages 43-47](#)

50x50 heavy duty extrusion type MA1-1



Technical data

$I_{x,y}$	=	29.37 cm ⁴
$W_{x,y}$	=	11.75 cm ³
Cross-section area	=	11.26 cm ²
Weight	=	3.1 kg/m
Alloy	=	EN AW-6063

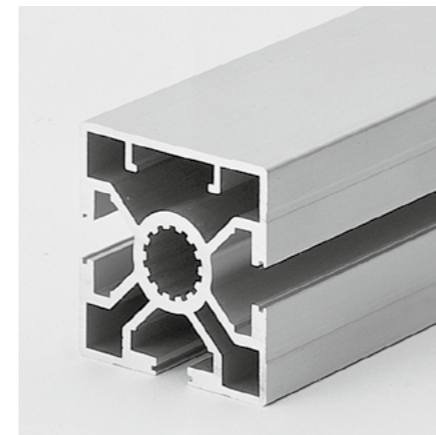
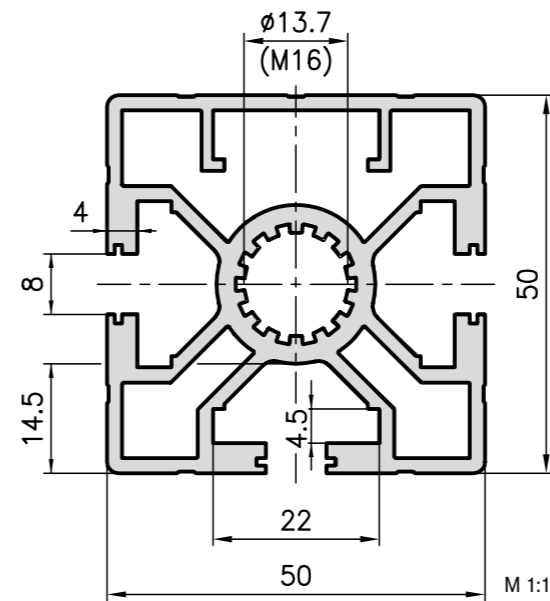
Order data

Order data	Order number
50x50 heavy duty extrusion	
Standard length 5000 mm	MA1-1-5M
Standard length 6000 mm	MA1-1-6M
50x50 heavy duty extrusion	
Cut to length	MA1-1-02-02/...

Extra machining

[Pages 43-47](#)

50x50 face extrusion type A01-8



Technical data

I_x	=	20.38 cm ⁴
I_y	=	19.61 cm ⁴
W_x	=	8.15 cm ³
W_y	=	7.55 cm ³
Cross-section area	=	8.01 cm ²
Weight	=	2.2 kg/m
Alloy	=	EN AW-6063

Order data

Order data	Order number
50x50 face extrusion	
Standard length 5000 mm	A01-8-5M
50x50 face extrusion	
Cut to length	A01-8-02-02/...

Application

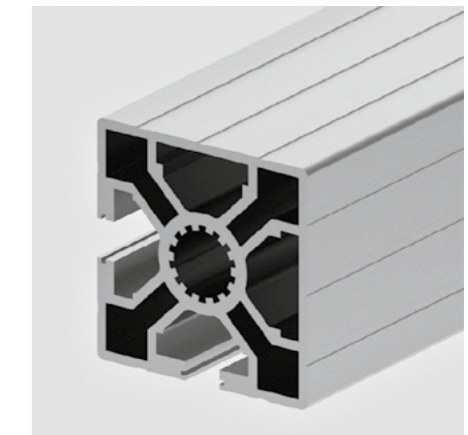
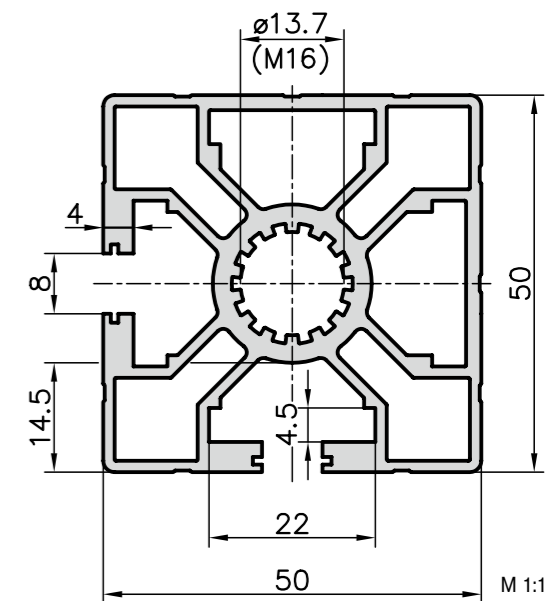
Corner and face extrusions are used in any applications where closed surfaces are required. The advantages of these are that they improve the appearance of the structures and also minimise the build up of dirt. Extrusions can be fitted onto the closed faces by drilling holes in the outer face of the extrusion at the required points and using AC32-... type threaded plates. The small lugs inside the extrusion guide the plates.



Extra machining

[Pages 43-47](#)

50x50 corner extrusion type A01-7



Technical data

$I_{x,y}$	=	17.7 cm ⁴
$W_{x,y}$	=	7.05 cm ³
Cross-section area	=	7.5 cm ²
Weight	=	2.0 kg/m
Alloy	=	EN AW-6060

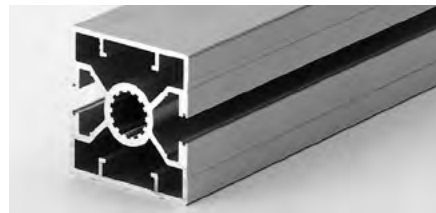
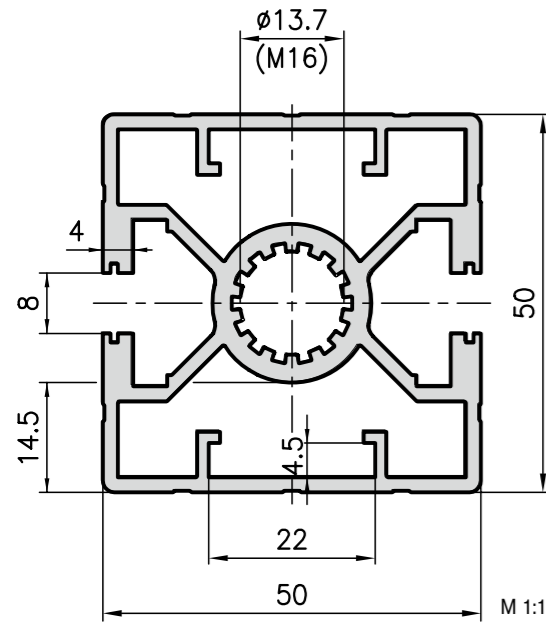
Order data

Order data	Order number
50x50 corner extrusion	
Standard length 5000 mm	A01-7-5M
50x50 corner extrusion	
Cut to length	A01-7-02-02/...

Extra machining

[Pages 43-47](#)

50x50 double face extrusion type A02-4



Application

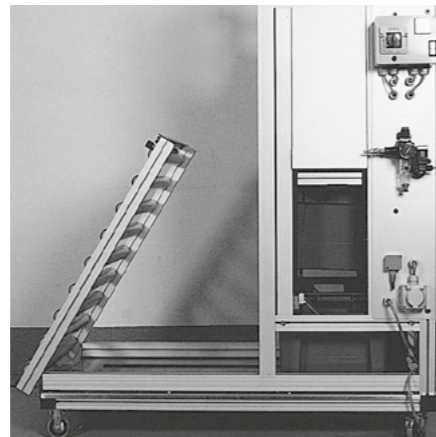
For all types of enclosure, as well as for structures with extrusion faces which are mainly closed and for applications with an attractive design.

Technical data

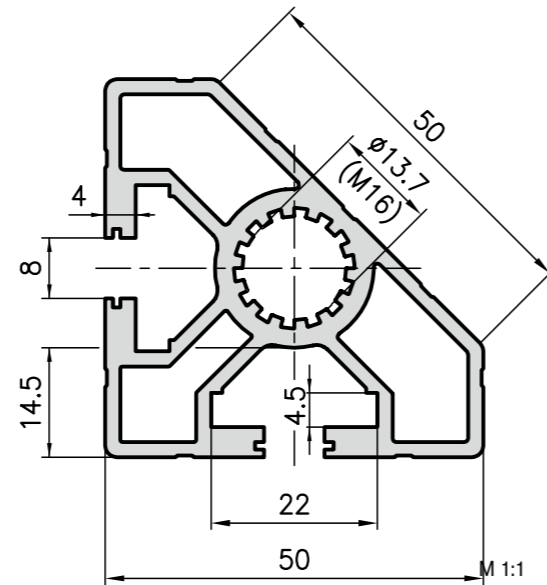
I_x	=	19.59 cm ⁴
I_y	=	18.17 cm ⁴
W_x	=	7.83 cm ³
W_y	=	7.27 cm ³
Cross-section area	=	7.39 cm ²
Weight	=	2.0 kg/m
Alloy	=	EN AW-6063

Order data

Order data	Order number
50x50 double face extrusion Standard length 5000 mm	A02-4-5M
50x50 double face extrusion Cut to length	A02-4-02-02/...
Extra machining	Pages 43-47



50x45° angle extrusion type A02-8



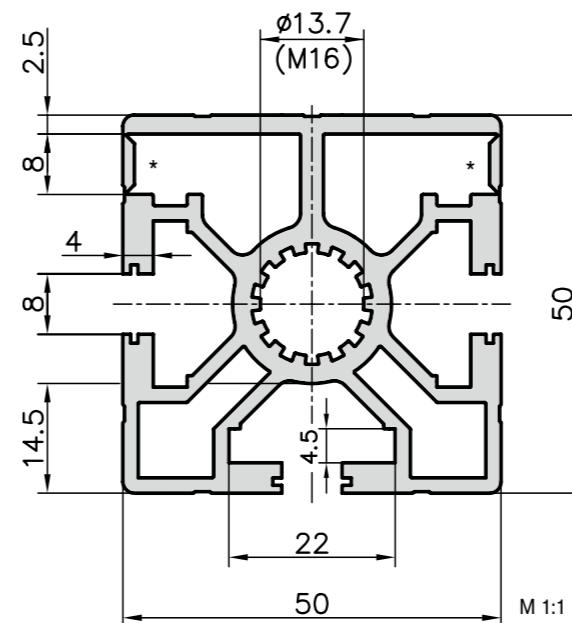
Technical data

$I_{x,y}$	=	13.10 cm ⁴
$W_{x,y}$	=	4.50 cm ³
Cross-section area	=	6.40 cm ²
Weight	=	1.7 kg/m
Alloy	=	EN AW-6063

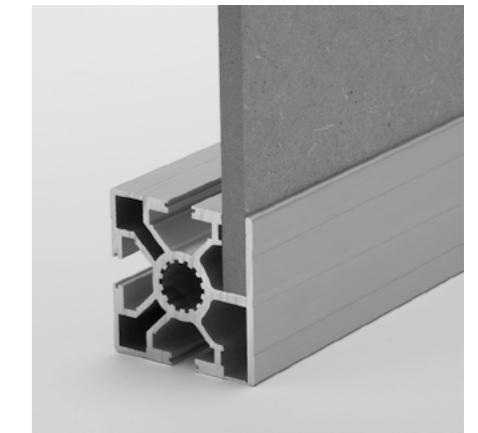
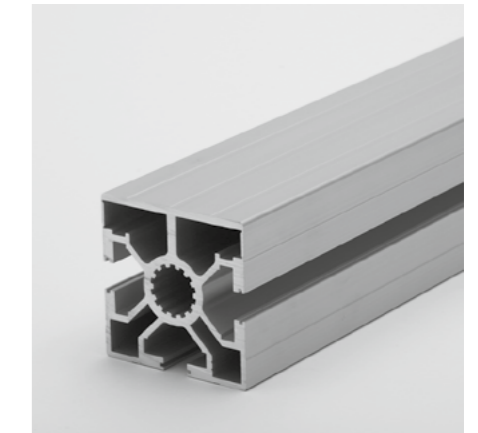
Order data

Order data	Order number
50x45° angle extrusion Standard length 5000 mm	A02-8-5M
50x45° angle extrusion Cut to length	A02-8-02-2/...
Extra machining	Pages 43-47

50x50 face extrusion with rip off panel slots type A03-8



* Rip off slot



Application

The one face closed extrusion gives the possibility to open a slot to insert a panel, ideal for delicate solar-panels. Rip off the slot, if necessary put in a sealing strip, insert panels and mount the frame. The 8 mm panels fit perfectly in the rip off slot.

Technical data

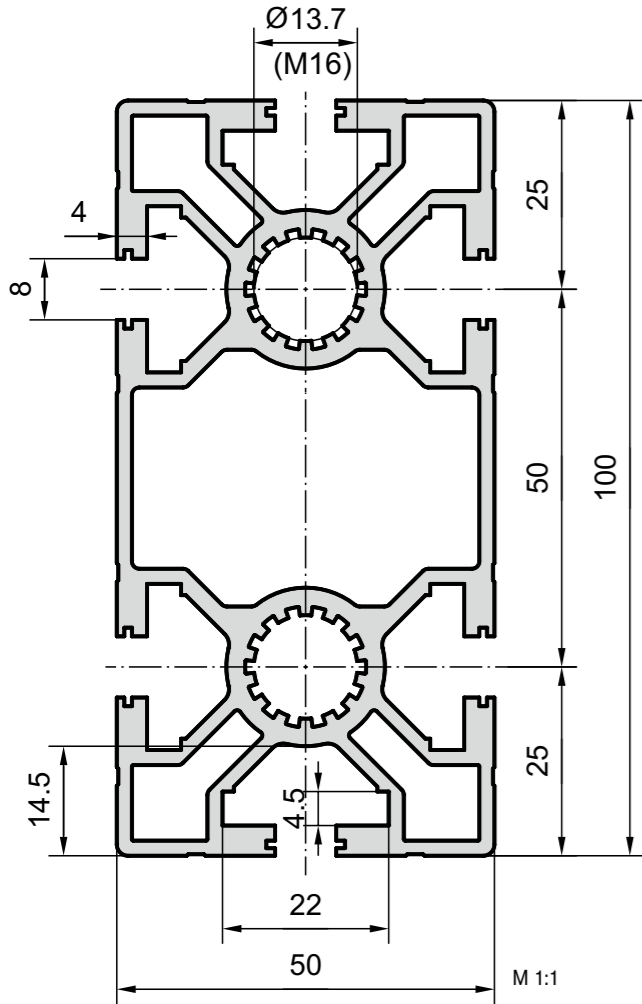
I_x	=	20.40 cm ⁴
I_y	=	19.72 cm ⁴
W_x	=	8.07 cm ³
W_y	=	7.89 cm ³
Cross-section area	=	8.28 cm ²
Weight	=	2.2 kg/m
Alloy	=	EN AW-6063

Order data

Order data	Order number
50x50 face extrusion with rip off slot Standard length 5000 mm	A03-8-5M
50x50 face extrusion with rip off slot Cut to length	A03-8-02-02/...
Extra machining	Pages 43-47



Light extrusion 50x100
type A02-2



Technical data

Ix	=	148.15 cm ⁴
Iy	=	37.15 cm ⁴
Wx	=	29.63 cm ³
Wy	=	15.00 cm ³
Cross-section area	=	14.15 cm ²
Weight	=	3.8 kg/m
Alloy	=	EN AW-6063

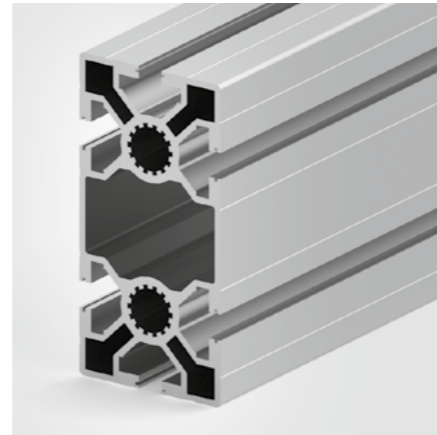
Application

The new lightweight extrusion is suitable for stable basic constructions and also universally applicable. Additionally the weight versus rigidity ratio is excellent.

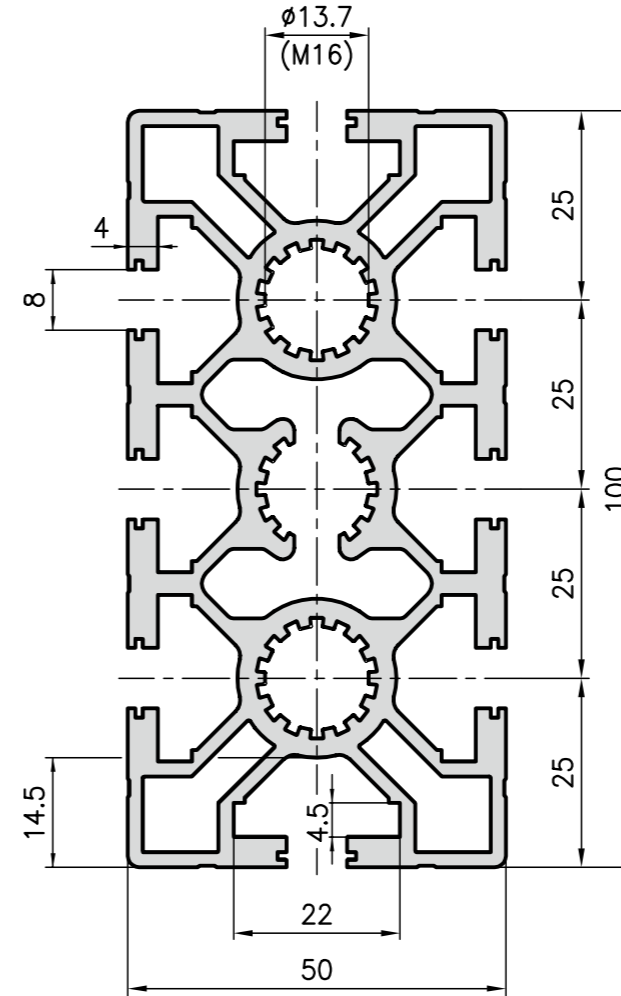
Order data Order number

Light extrusion 50x100	
Standard length 5000 mm	A02-2-5M
Light extrusion 50x100	
Cut to length	A02-2-02/...

Extra machining [Pages 43-47](#)



50x100 base
extrusion type A01-2



Technical data

Ix	=	149.84 cm ⁴
Iy	=	41.25 cm ⁴
Wx	=	29.97 cm ³
Wy	=	16.50 cm ³
Cross-section area	=	16.84 cm ²
Weight	=	4.6 kg/m
Alloy	=	EN AW-6063

Application

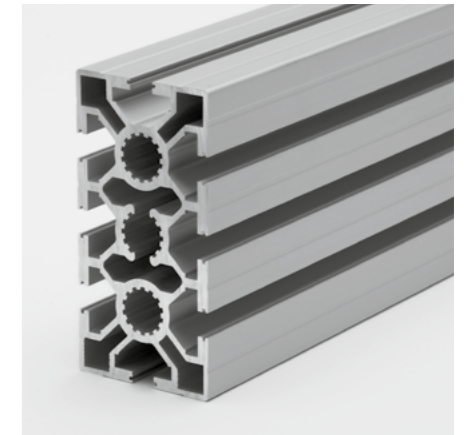
This base extrusion is normally used for cross-beams. Further, its optimised cross section means that it is ideal for an extremely wide range of applications.

Order data Order number

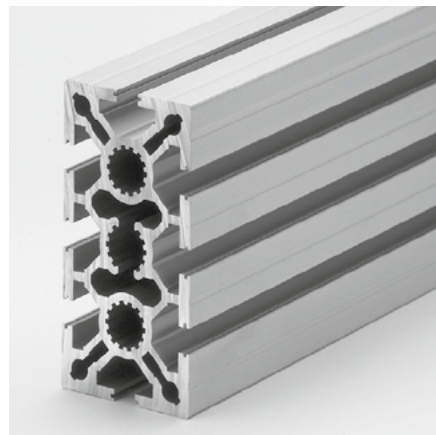
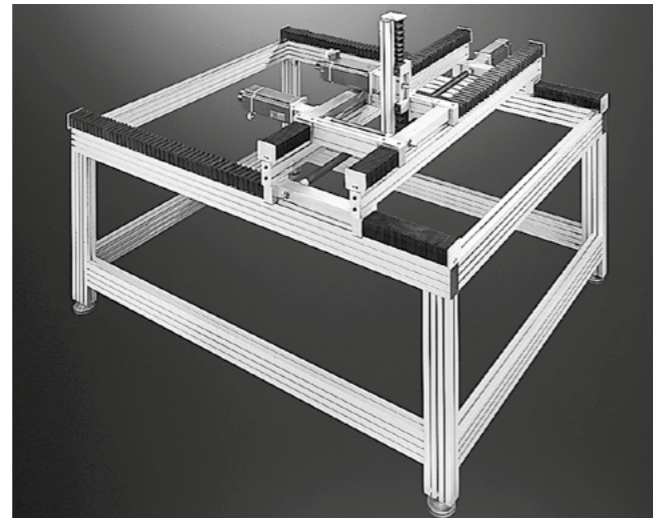
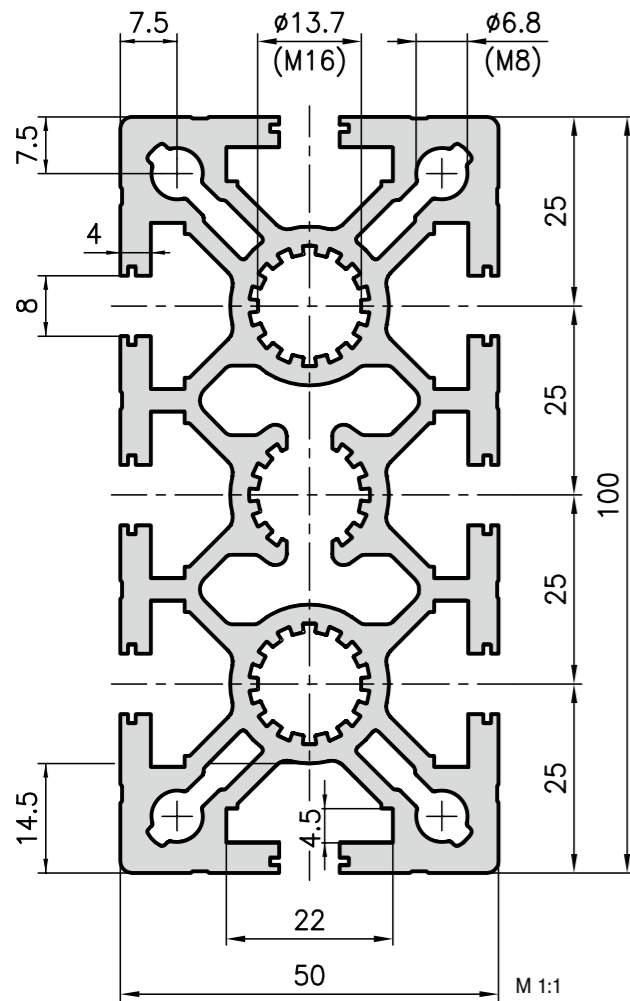
50x100 base extrusion	
Standard length 5000 mm	A01-2-5M
Standard length 6000 mm	A01-2-6M

50x100 base extrusion	
Cut to length	A01-2-02/...

Extra machining [Pages 43-47](#)



50x100 heavy duty extrusion type MA1-2



Application

The heavy duty extrusion, like the A01-2 type base extrusion, is commonly used as a cross-beam. However, this design can also be used in many different applications combining excellent load-bearing capabilities and a lightweight structure!

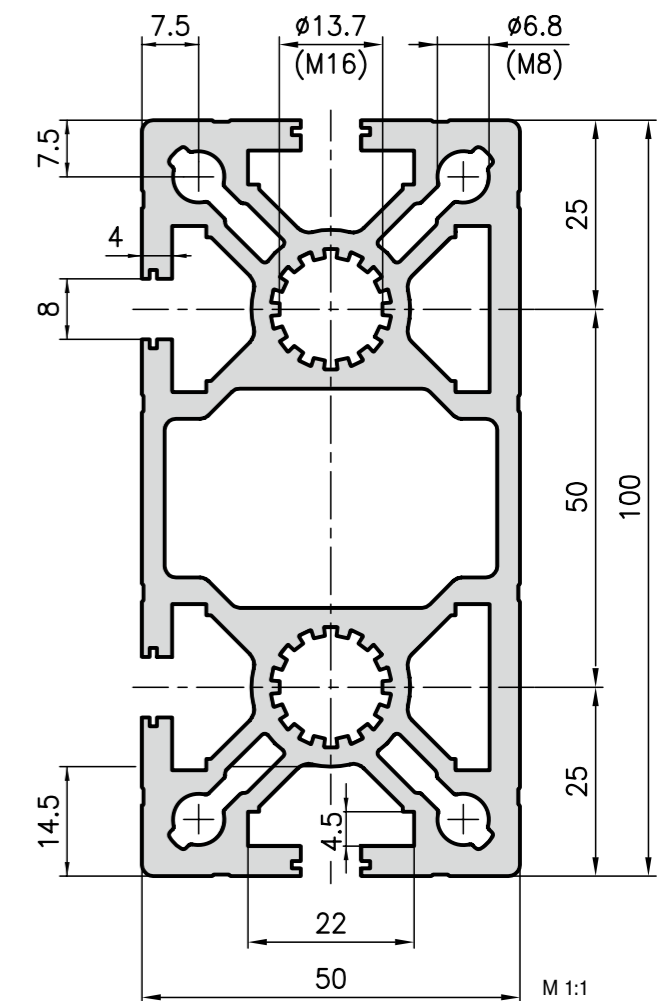
Technical data

I_x	=	198.66 cm ⁴
I_y	=	50.28 cm ⁴
W_x	=	39.73 cm ³
W_y	=	20.11 cm ³
Cross-section area	=	19.79 cm ²
Weight	=	5.3 kg/m
Alloy	=	EN AW-6063

Order data Order number

50x100 heavy duty extrusion	
Standard length 5000 mm	MA1-2-5M
Standard length 6000 mm	MA1-2-6M
50x100 heavy duty extrusion	
Cut to length	MA1-2-02-02/...
Extra machining	Pages 43-47

50x100 face extrusion type MA1-4



Technical data

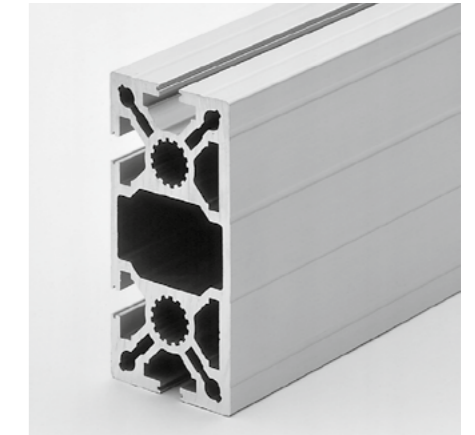
I_x	=	203.67 cm ⁴
I_y	=	54.31 cm ⁴
W_x	=	40.73 cm ³
W_y	=	21.03 cm ³
Cross-section area	=	19.34 cm ²
Weight	=	5.2 kg/m
Alloy	=	EN AW-6063

Order data Order number

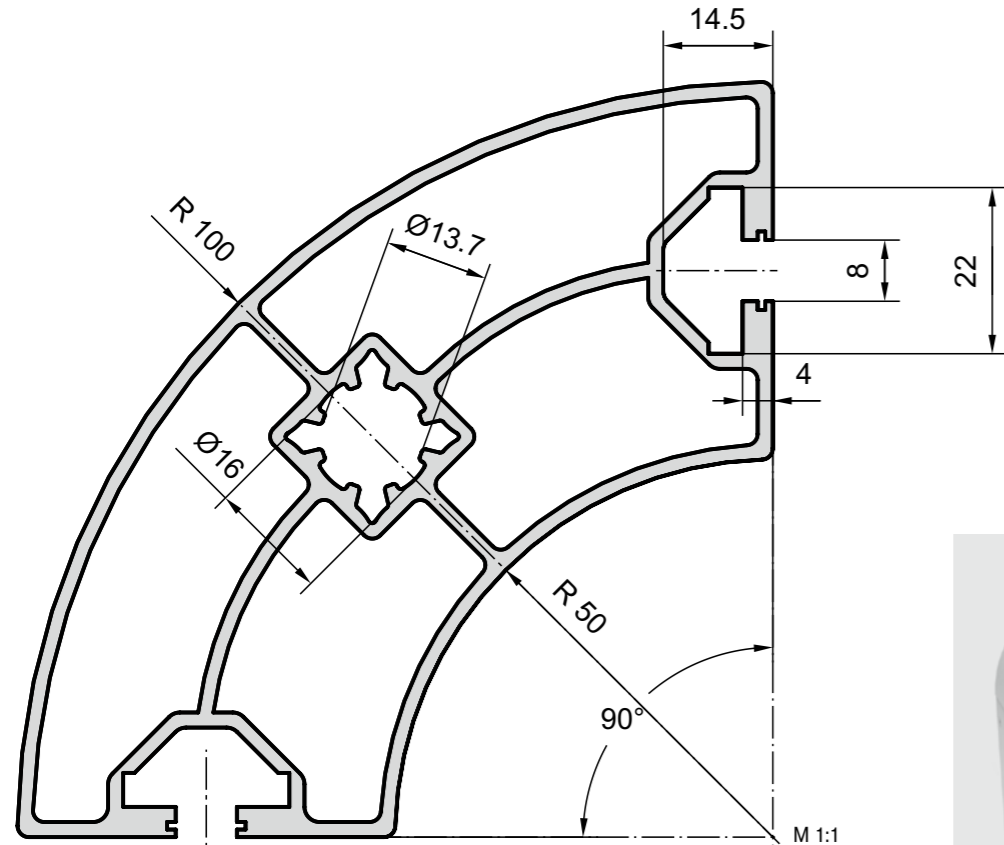
50x100 face extrusion	
Standard length 5000 mm	MA1-4-5M
Standard length 6000 mm	MA1-4-6M
50x100 face extrusion	
Cut to length	MA1-4-02-02/...
Extra machining	Pages 43-47

Application

An extrusion which boasts all the advantages of the comparable A01-2 and MA1-2. In addition, its large inner cavity can be used to channel air, gas, water, oil, etc. The driving belt on a twin-belt conveyor can also be fed back in this chamber. The sealed face keeps dirt out. The extrusion can be extended using the closed threaded-plate slots. Simply drill a hole, place a threaded plate behind the hole and carry on building!

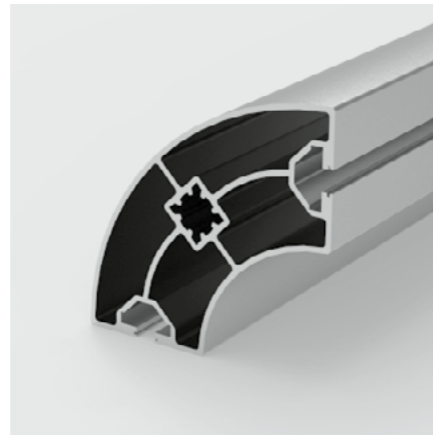


Radius extrusion 100x100 Type A03-9



Application

There is a core hole at the front of the extrusion, which allows easy mounting of an adjustable foot. A cover can be provided by a lasered aluminium plate, This is screwed on by means of a threaded reducing sleeve.



Technical data

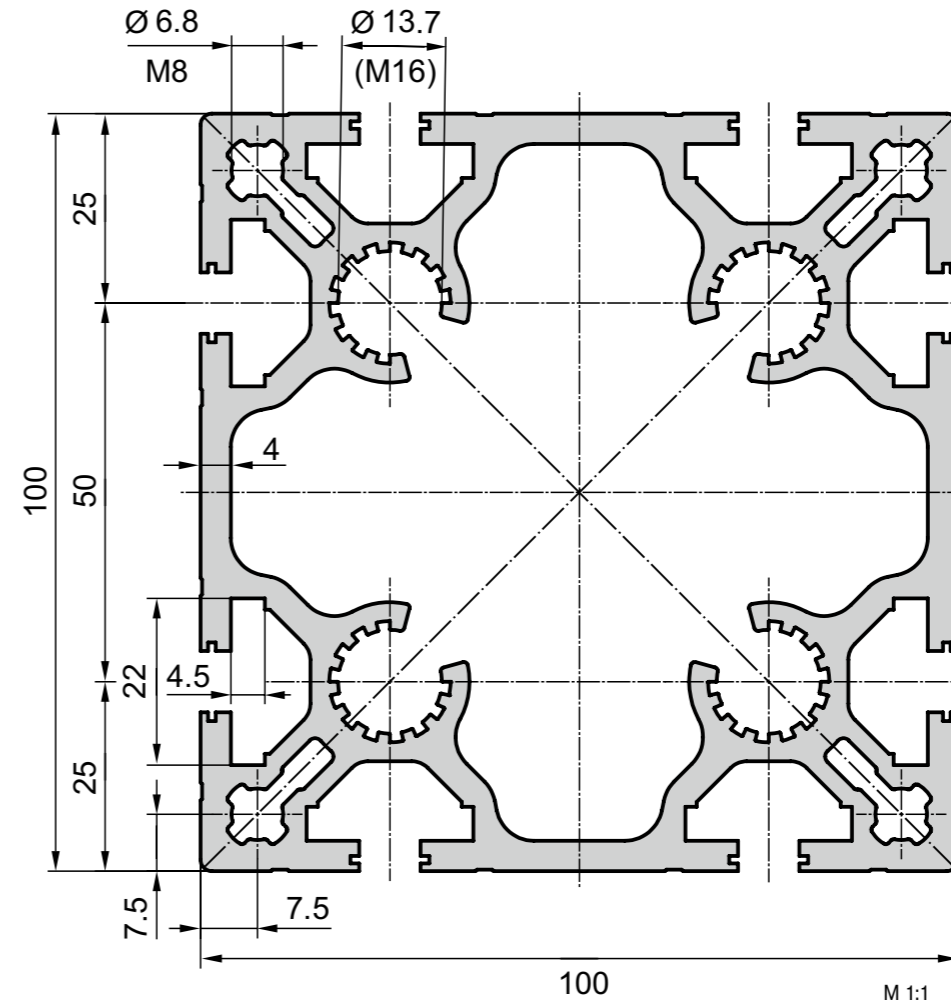
I_x, y	=	100.0 cm ⁴
W_x, y	=	20.0 cm ³
Cross-section area	=	12.02 cm ²
Weight	=	3.2 kg/m
Alloy	=	EN AW-6063

Order data Order number

Radius extrusion 100x100	
Standard length 5000 mm	A03-9-5M
Radius extrusion 100x100	
Cut to length	A03-9-02-02/...

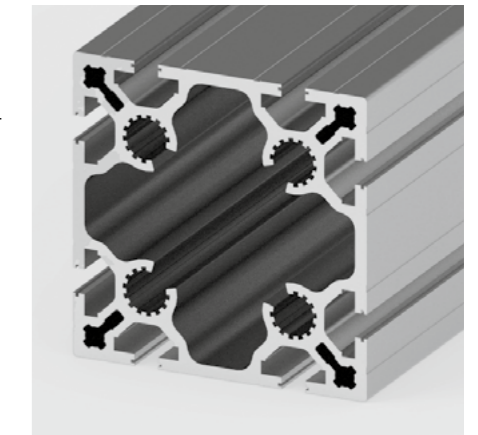
Extra machining [Pages 43-47](#)

100x100 Base extrusion type MA3-5



Application

This versatile extrusion is mainly used in machinery and plant construction and boasts the following qualities: high strength and low weight.



Technical data

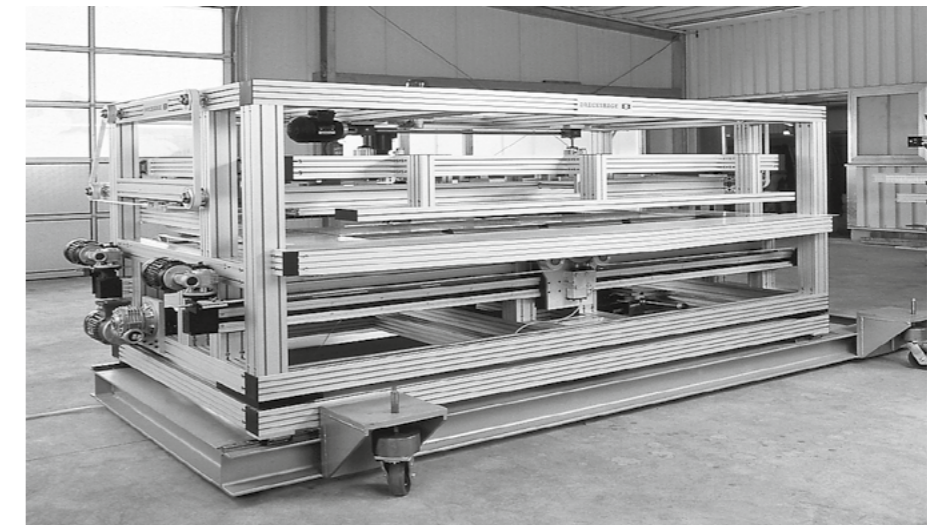
I_x, y	=	330.90 cm ⁴
W_x, y	=	66.018 cm ³
Cross-section area	=	27.00 cm ²
Weight	=	7.28 kg/m
Alloy	=	EN AW-6063

Order data Order number

100x100 Base extrusion	
Standard length 5000 mm	MA3-5-5M
Standard length 6000 mm	MA3-5-6M

100x100 Base extrusion	
Cut to length	MA3-5-02-02/...

Extra machining [Pages 43-47](#)

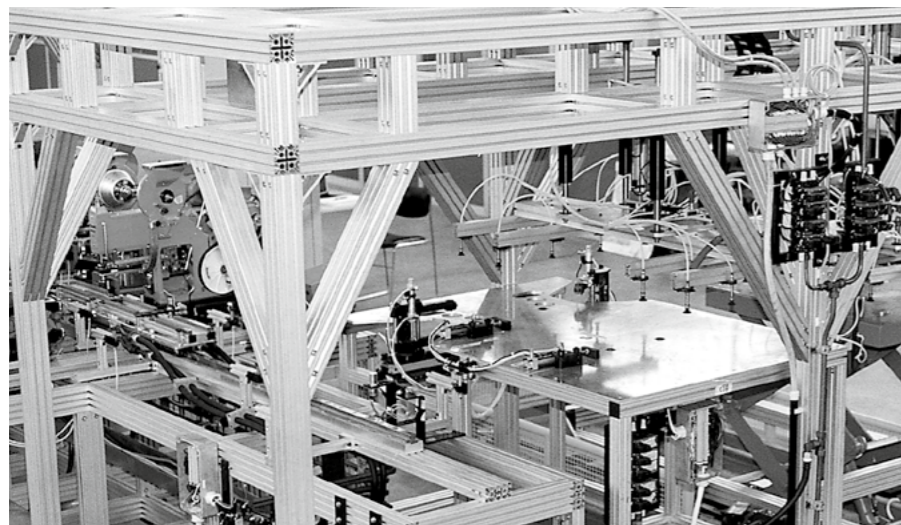
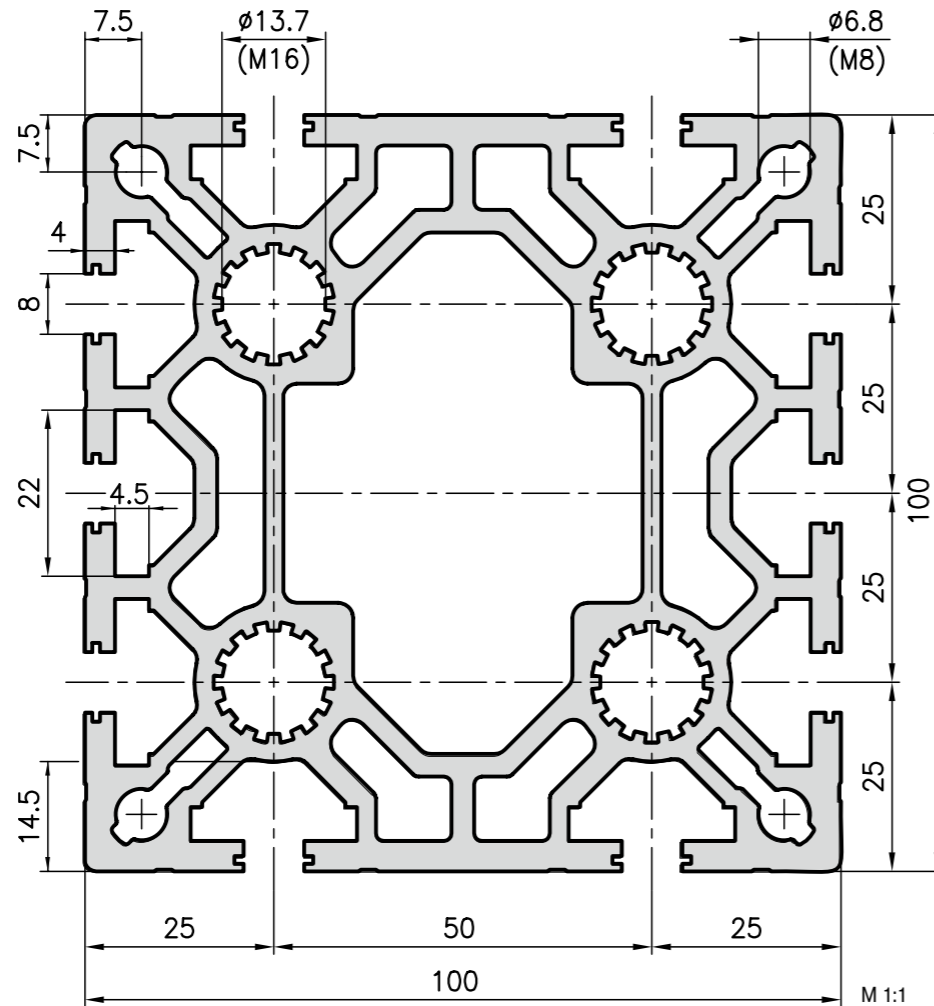
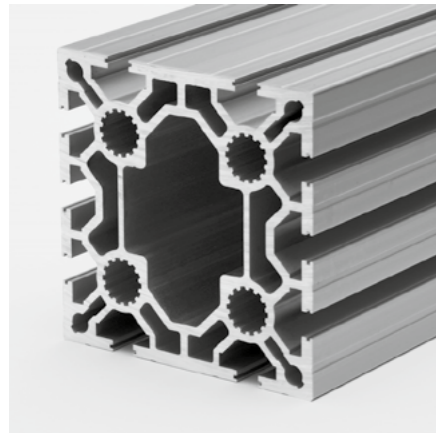


100x100 heavy duty extrusion type MA1-5



Application

An extremely sturdy extrusion which is used as a support, stand or manifold. Ideal for building gantries if used in combination with the 100x200 heavy duty extrusion, MA1-9.



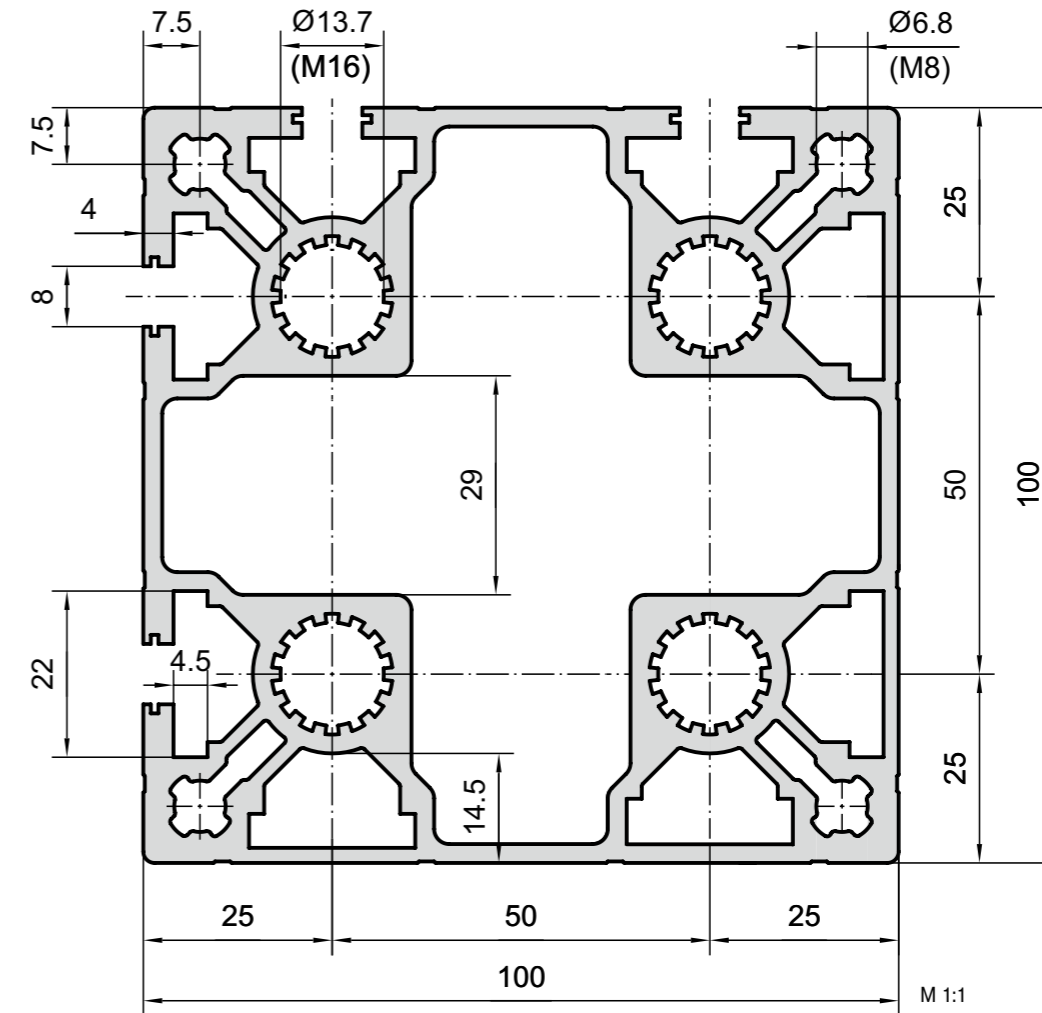
Technical data

I_x	=	363.00 cm ⁴
I_y	=	345.00 cm ⁴
W_x	=	76.00 cm ³
W_y	=	73.00 cm ³
Cross-section area	=	35.19 cm ²
Weight	=	8.9 kg/m
Alloy	=	EN AW-6063

Order data

Order data	Order number
100x100 heavy duty extrusion	
Standard length 5000 mm	MA1-5-5M
Standard length 6000 mm	MA1-5-6M
100x100 heavy duty extrusion	
Cut to length	MA1-5-02-02/...

Corner extrusion 100x100 Type A03-7



Technical data

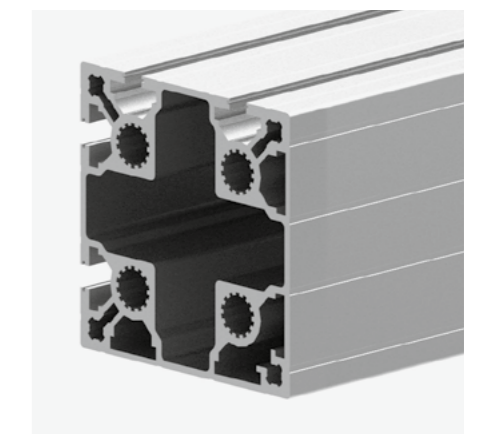
I_x, y	=	314.10 cm ⁴
W_x, y	=	62.82 cm ³
Cross-section area	=	26.30 cm ²
Weight	=	7.10 kg/m
Alloy	=	EN AW-6063

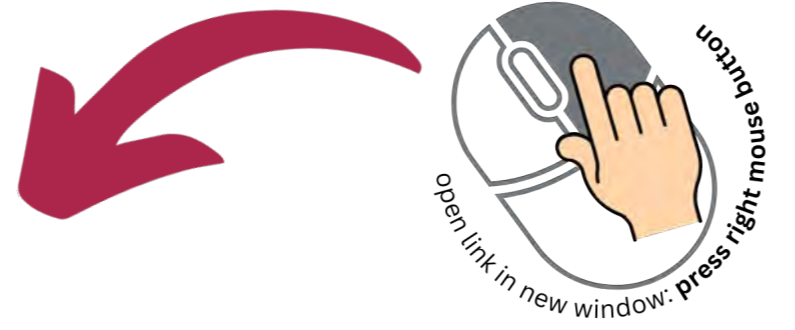
Order data

Order data	Order number
Corner extrusion 100x100	
Standard length 5000 mm	A03-7-5M
Corner extrusion 100x100	
Cut to length	A03-7-02-02/...
Extra machining	Pages 43-47

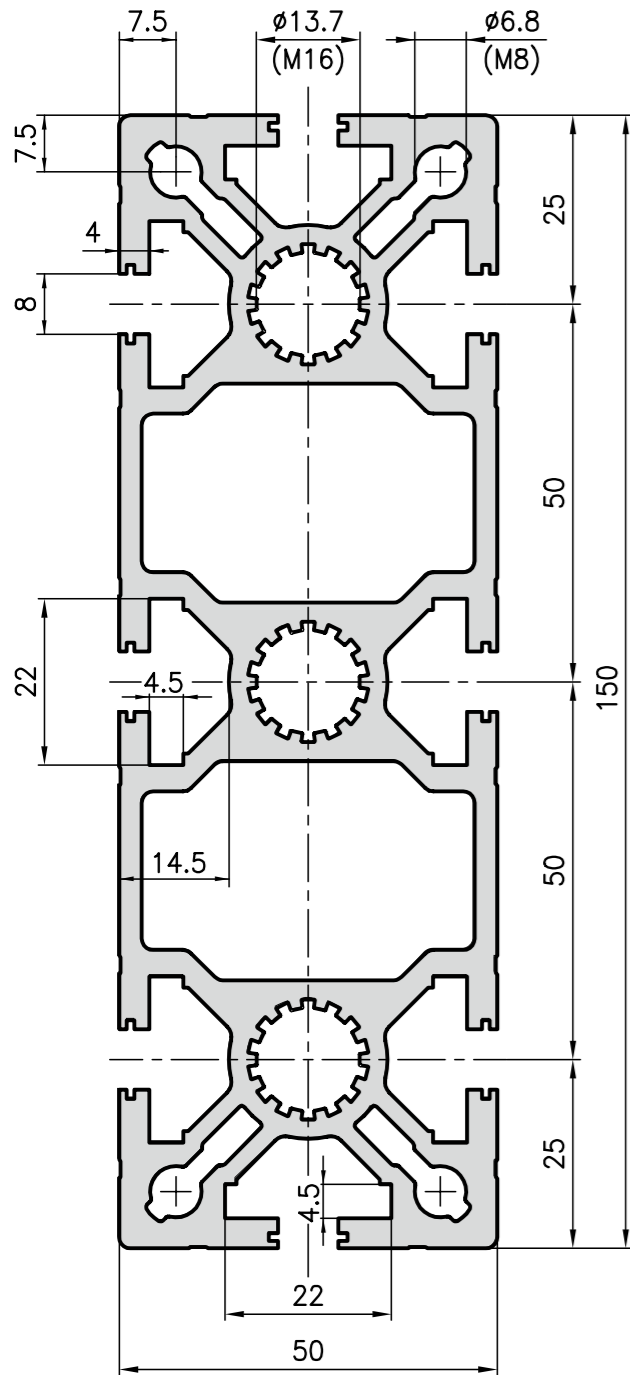
Application

Corner extrusions are always used when closed surfaces are required. Particularly with larger machine casings, this extrusion is frequently used as a corner pillar that can absorb weight at the same time, but also optimises the look of the machine. With a base plate (A47-80) a central adjustable foot can also be installed.



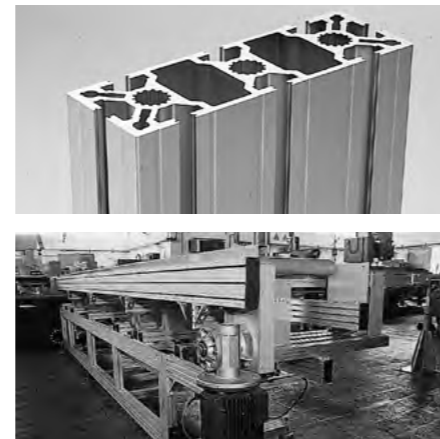


50x150 beam extrusion type MA1-3



Application

This extrusion is mainly used to support heavy loads because of its excellent load-bearing characteristics. However, it is also an effective manifold extrusion.



Technical data

I _x	=	599.80 cm ⁴
I _y	=	71.90 cm ⁴
W _x	=	81.11 cm ³
W _y	=	29.42 cm ³
Cross-section area	=	26.04 cm ²
Weight	=	7.0 kg/m
Alloy	=	EN AW-6063

Order data

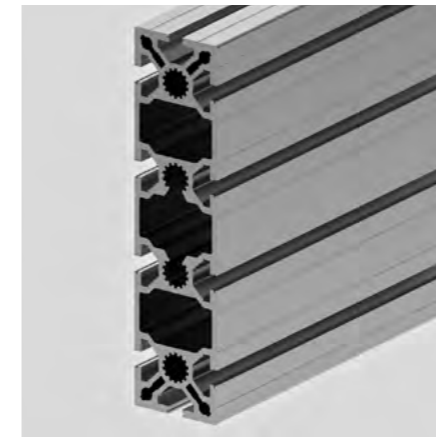
Order data	Order number
50x150 bearing extrusion	
Standard length 5000 mm	MA1-3-5M
Standard length 6000 mm	MA1-3-6M
50x150 bearing extrusion	
Cut to length	MA1-3-02-02/...
Extra machining	Pages 43-47

Beam extrusion 50x200 type MA1-6



Application

An optimum extrusion for large gantries and stable cross-beams. Together with the extrusion MA1-9, large robust constructions can be created. Similar to the MA1-3, this extrusion is mainly used to support heavy loads because of its excellent load-bearing characteristics.

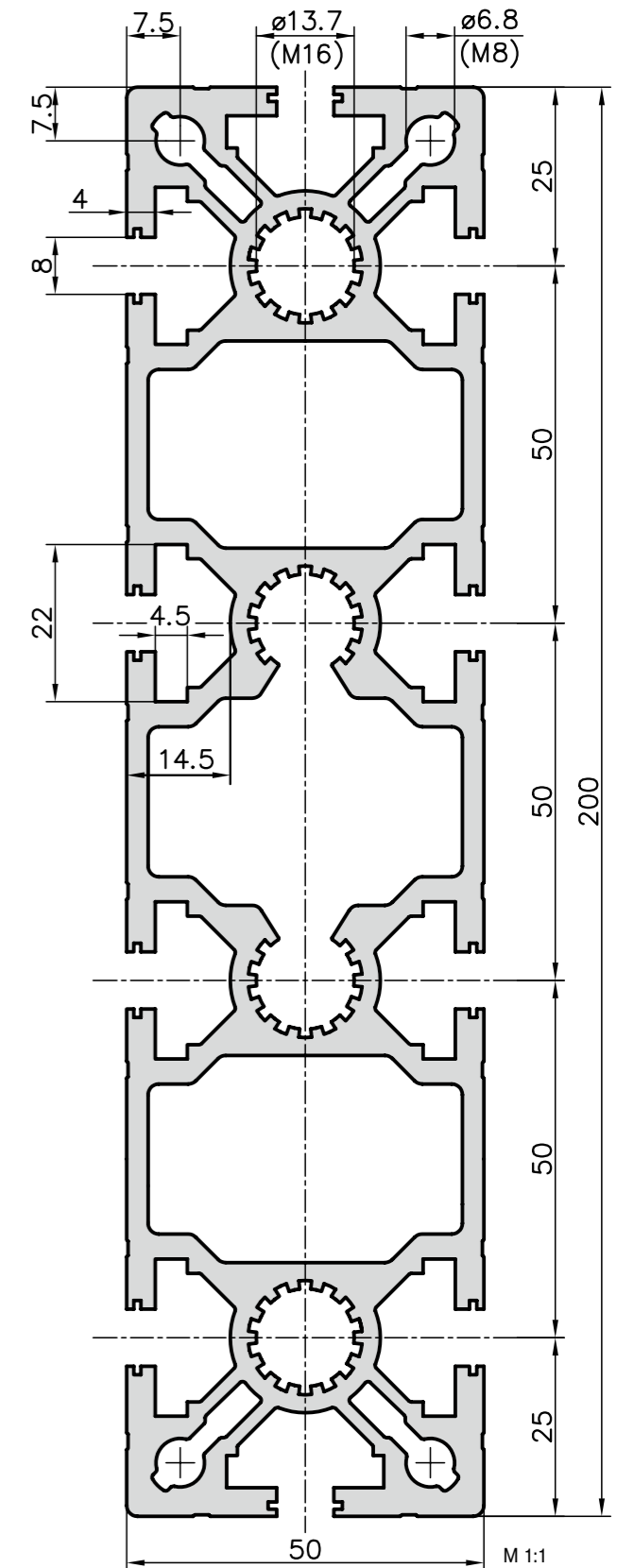


Technische Daten

I _x	=	1315.83 cm ⁴
I _y	=	92.71 cm ⁴
W _x	=	131.58 cm ³
W _y	=	37.08 cm ³
Cross-section area	=	32.74 cm ²
Weight	=	8.84 kg/m
Alloy	=	EN AW-6063

Order data

Order data	Order number
Beam extrusion 50x200	
Standard length 6000 mm	MA1-6-6M
Beam extrusion 50x200	
Cut to length	MA1-6-02-02/...
Extra machining	Pages 43-47

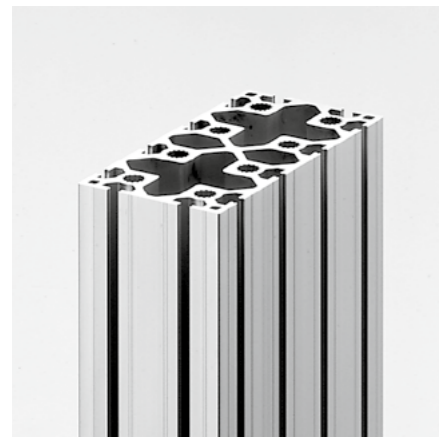


100x200 heavy duty extrusion type MA1-9



Application

Ideal for building gantries in which the supports are spaced well apart or for any application where very heavy loads have to be borne with minimal bending.

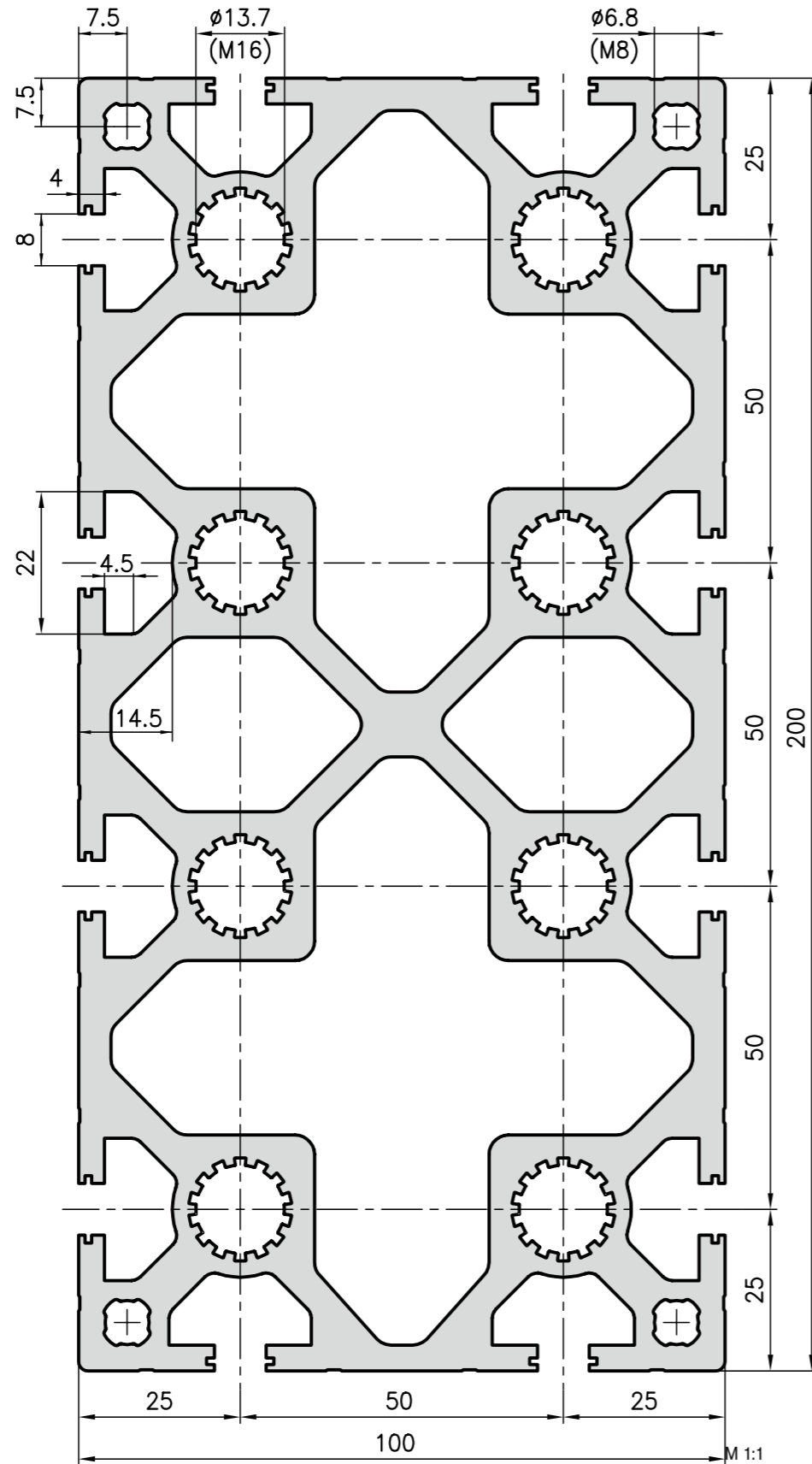


Technical data

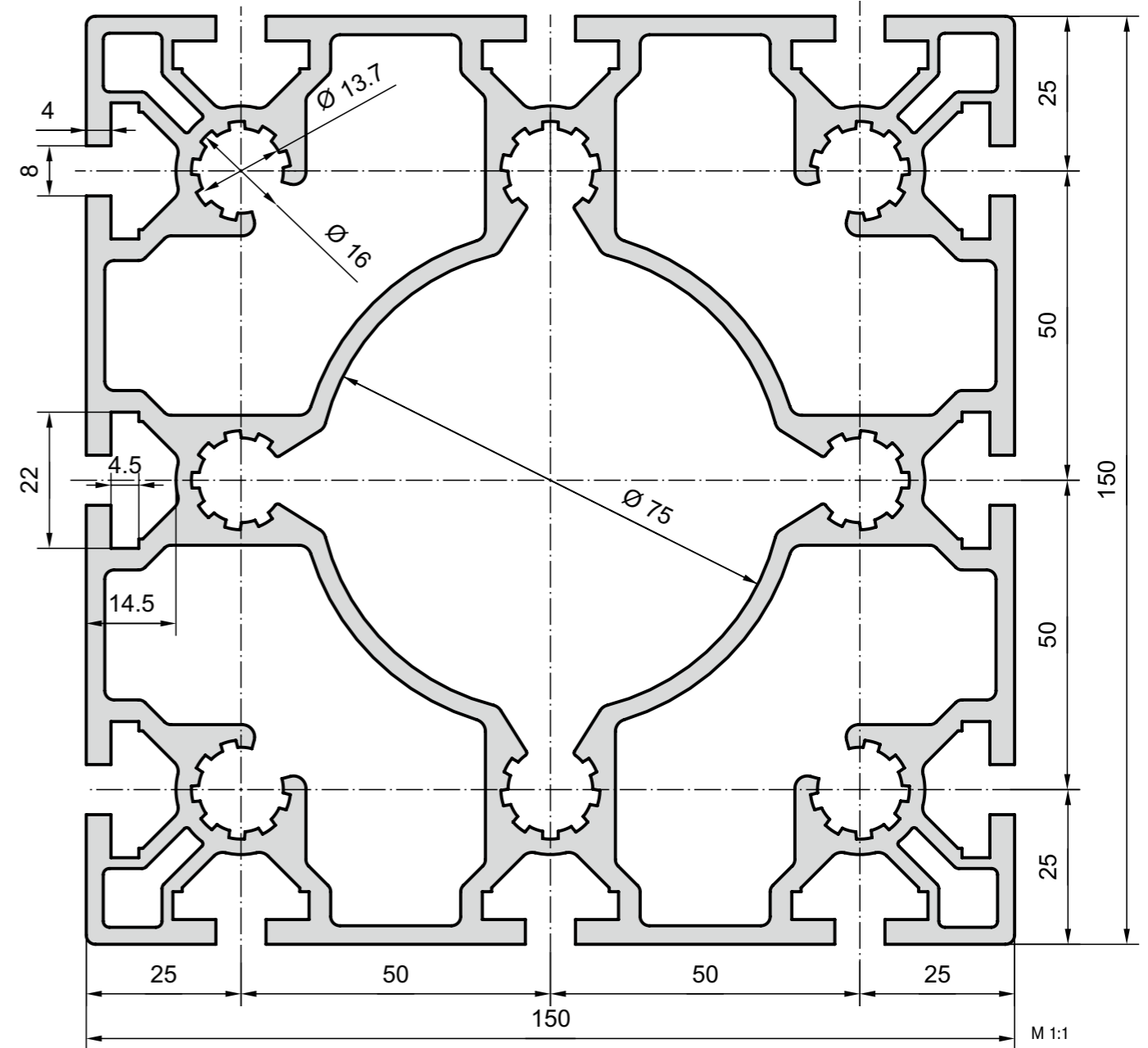
I_x	=	2435.30 cm ⁴
I_y	=	705.60 cm ⁴
W_x	=	243.53 cm ³
W_y	=	141.12 cm ³
Cross-section area	=	60.79 cm ²
Weight	=	16.41 kg/m
Alloy	=	EN AW-6063

Order data Order number

100x200 heavy duty extrusion	
Standard length 5000 mm	MA1-9-5M
Standard length 6000 mm	MA1-9-6M
100x200 heavy duty extrusion	
Cut to length	MA1-9-02-02/...
Extra machining	Pages 43-47



Base extrusion 150x150 Type MA1-8

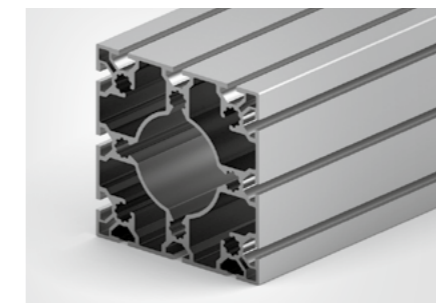


Application

The base profile is suitable for long, heavy, self-supporting constructions.

Technical data

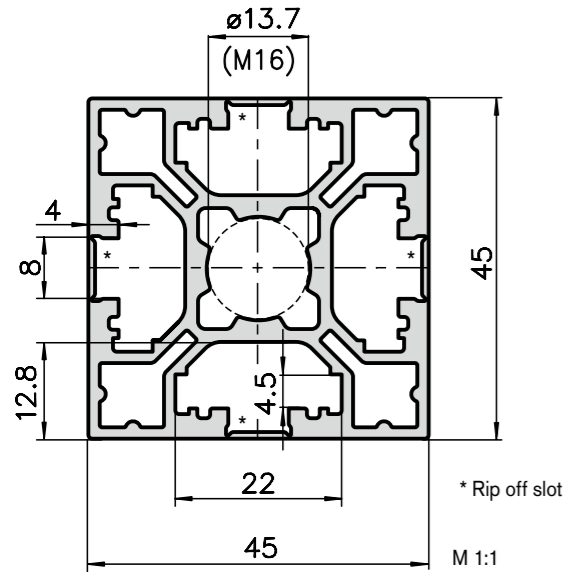
I_x, y	=	1264.46 cm ⁴
W_x, y	=	168.59 cm ³
Cross-section area	=	22.08 cm ²
Weight	=	13.3 kg/m



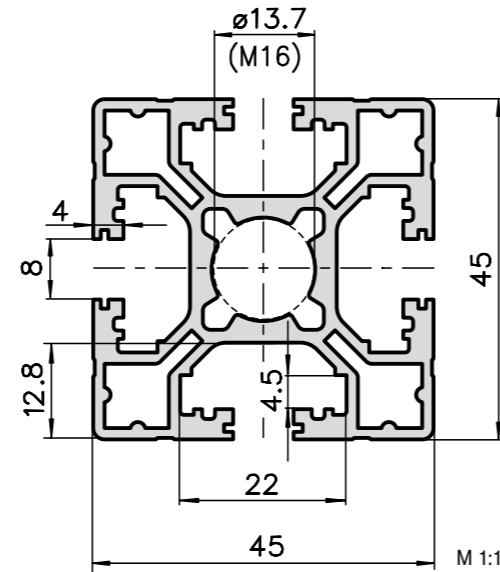
Order data Order number

Base extrusion 150x150	
Standard length 6000 mm	MA1-8-6M
Base extrusion 150x150	
Cut to length	MA1-8-02-02/...
Extra machining	Pages 43-47
Alloy	EN AW-6063

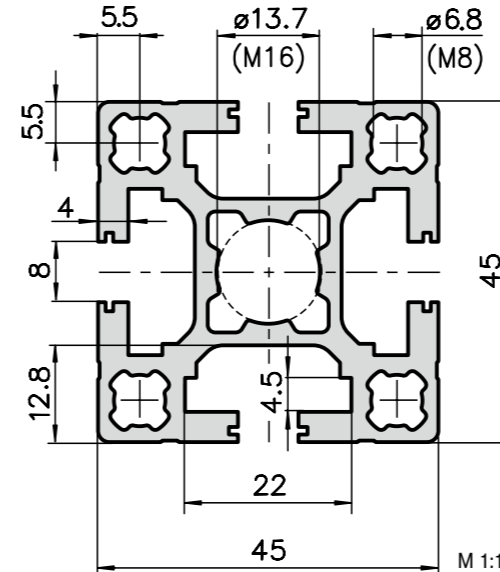
Four sided softline extrusion 45x45 Type E10-1



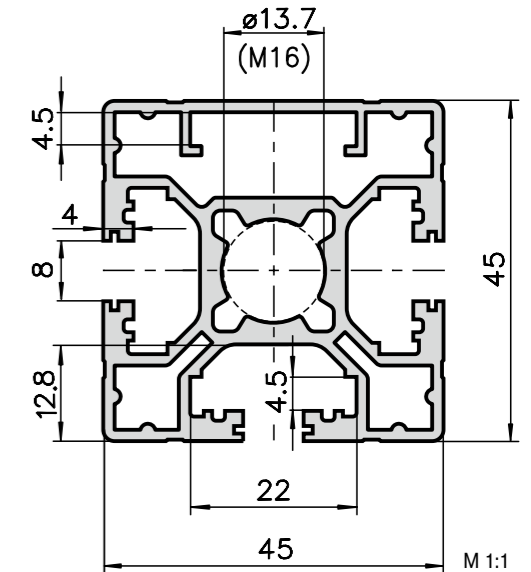
Light extrusion 45x45 Type E02-1



Base extrusion 45x45 Type E01-1

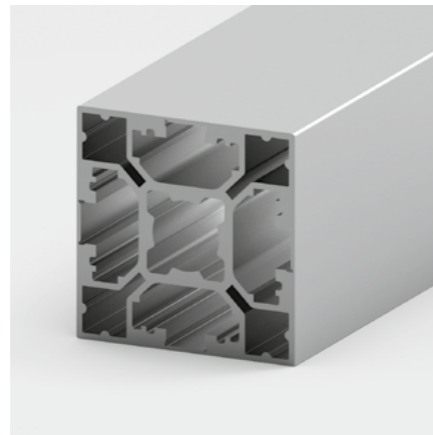


Face extrusion 45x45 Type E02-6



Application

The four sided softline extrusion 45x45 features an absolutely smooth surface. For this reason it is ideally suitable for clean room technology. The stable and elegant profile is easily washable. All connections are possible, thanks to the rip off slots.



Application

With this light extrusion 45x45 you have many possible applications. The light-weight design offers a stable construction at an unbeatable price. This profile is particularly suitable for protective enclosures.

Technical data

Ix, y	=	13.16 cm ⁴
Wx, y	=	5.85 cm ³
Cross-section area	=	6.37 cm ²
Weight	=	1.72 kg/m
Alloy	=	EN AW-6063

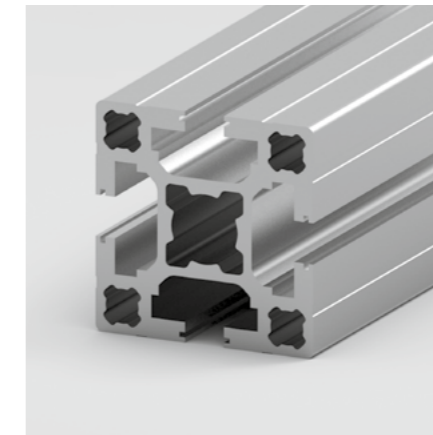
Order data

Order data	Order number
Light extrusion 45x45	E02-1-5M
Standard length 5000 mm	E02-1-5M
Light extrusion 45x45	E02-1-02-02/...
Cut to length	E02-1-02-02/...

Extra machining [Pages 43-47](#)

Application

The extrusions of base 45 are an ideal supplement to those of bases 20, 30, 40 and 50. The base extrusion 45x45 can be used for all types of constructions. It is exceptionally stable. It has an optimal weight and mechanical strength ratio.



Technical data

Ix, y	=	16.12 cm ⁴
Wx, y	=	7.16 cm ³
Cross-section area	=	7.68 cm ²
Weight	=	2.07 kg/m
Alloy	=	EN AW-6063

Order data

Order data	Order number
Base extrusion 45x45	E01-1-5M
Standard length 5000 mm	E01-1-5M
Base extrusion 45x45	E01-1-02-02/...
Cut to length	E01-1-02-02/...

Extra machining [Pages 43-47](#)

Application

As with the base extrusion, the face extrusion can also be used for a wide range of applications. They are distinguishable by having one closed side. This reduces possible dirt deposits and gives an optically smooth effect. Extrusions can also be fitted onto the closed faces.

Technical data

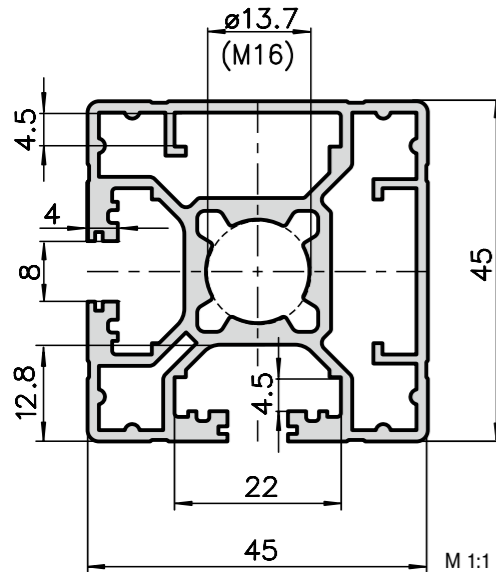
Ix	=	11.76 cm ⁴
Iy	=	12.20 cm ⁴
Wx	=	5.13 cm ³
Wy	=	5.42 cm ³
Cross-section area	=	5.77 cm ²
Weight	=	1.59 kg/m
Alloy	=	EN AW-6063

Order data

Order data	Order number
Face extrusion 45x45	E02-6-5M
Standard length 5000 mm	E02-6-5M
Face extrusion 45x45	E02-6-02-02/...
Cut to length	E02-6-02-02/...

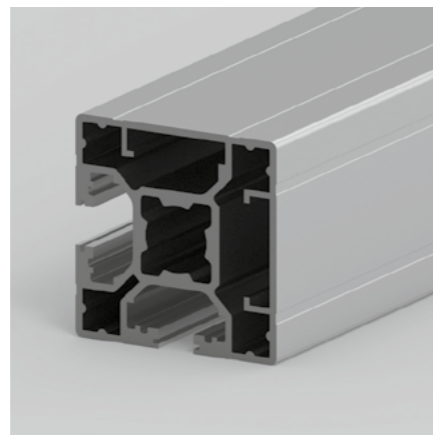
Extra machining [Pages 43-47](#)

Corner extrusion 45x45 Type E02-7



Application

Since it is closed on two sides, the corner extrusion has a compact appearance. This simplifies cleaning but it can still be used universally. Extrusions can also be fitted onto the closed faces.



Technical data

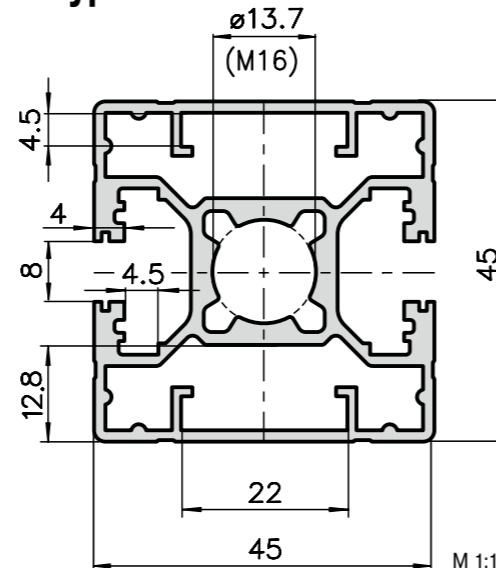
I _x	=	11.75 cm ⁴
I _y	=	11.83 cm ⁴
W _x	=	5.12 cm ³
W _y	=	5.16 cm ³
Cross-section area	=	5.63 cm ²
Weight	=	1.52 kg/m
Alloy	=	EN AW-6063

Order data

Order data	Order number
Corner extrusion 45x45	
Standard length 5000 mm	E02-7-5M
Corner extrusion 45x45	
Cut to length	E02-7-02-02/...

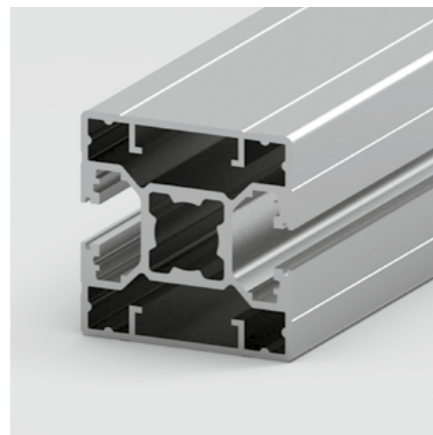
Extra machining [Pages 43-47](#)

Double face extrusion 45x45 Type E02-4



Application

The double face extrusion 45x45 lends itself for all types of cladding. The two closed profile fronts present a timeless design.



Technical data

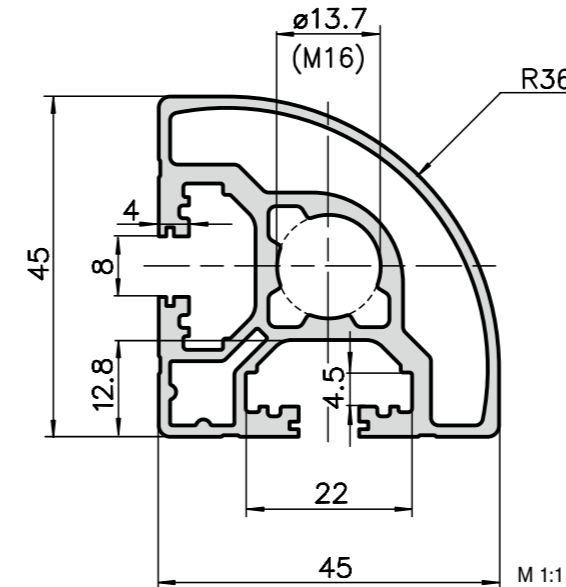
I _x	=	11.46 cm ⁴
I _y	=	12.33 cm ⁴
W _x	=	5.09 cm ³
W _y	=	5.48 cm ³
Cross-section area	=	5.58 cm ²
Weight	=	1.56 kg/m
Alloy	=	EN AW-6063

Order data

Order data	Order number
Double face extrusion 45x45	
Standard length 5000 mm	E02-4-5M
Double face extrusion 45x45	
Cut to length	E02-4-02-02/...

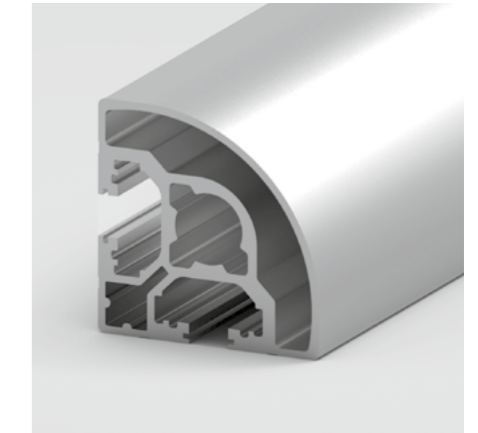
Extra machining [Pages 43-47](#)

Softline extrusion 45x45 Type E03-1



Application

The softline extrusion is suited for all applications where sharp corners are not desired. The round form has an elegant, modern and timeless effect. The profile is often used for construction of furniture and picture frames.



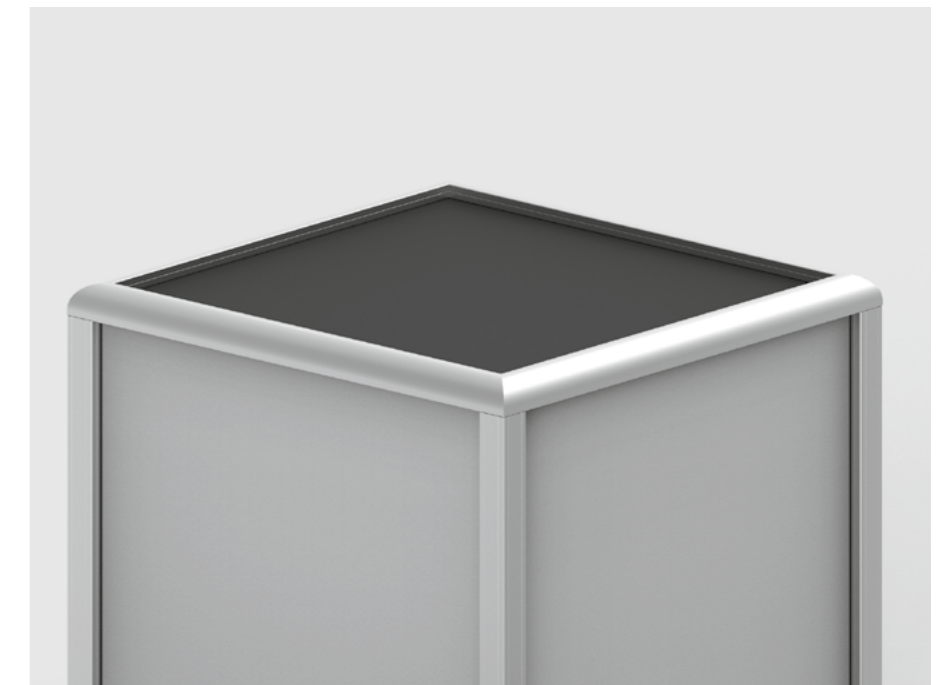
Technical data

I _{x, y}	=	9.70 cm ⁴
W _{x, y}	=	3.80 cm ³
Cross-section area	=	5.35 cm ²
Weight	=	1.45 kg/m
Alloy	=	EN AW-6063

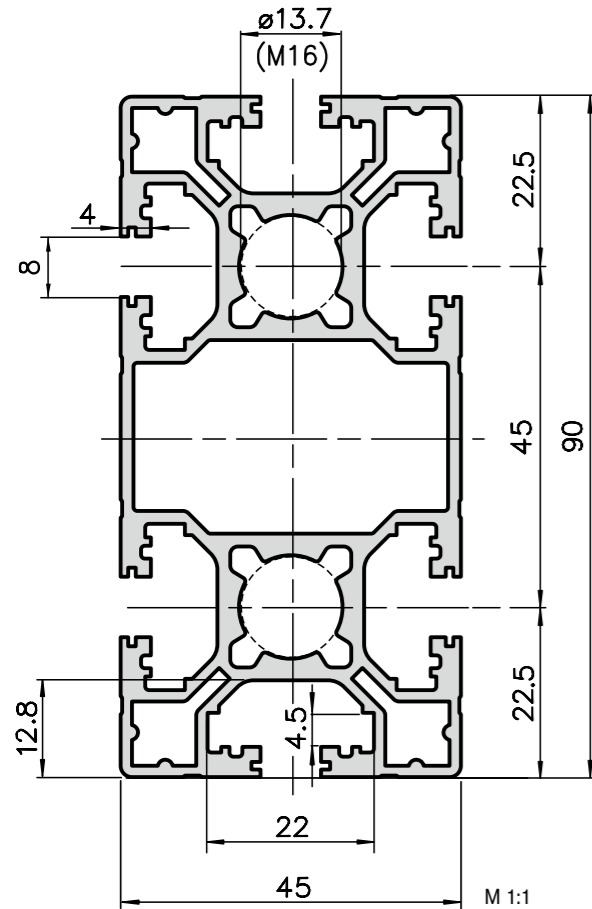
Order data

Order data	Order number
Softline extrusion 45x45	
Standard length 5000 mm	E03-1-5M
Softline extrusion 45x45	
Cut to length	E03-1-02-02/...

Extra machining [Pages 43-47](#)



**Light extrusion 45x90
Type E02-3**



Application

This extrusion with 2 center holes increases the connection stability. The light-weight design offers a stable construction at an unbeatable price.

Technical data

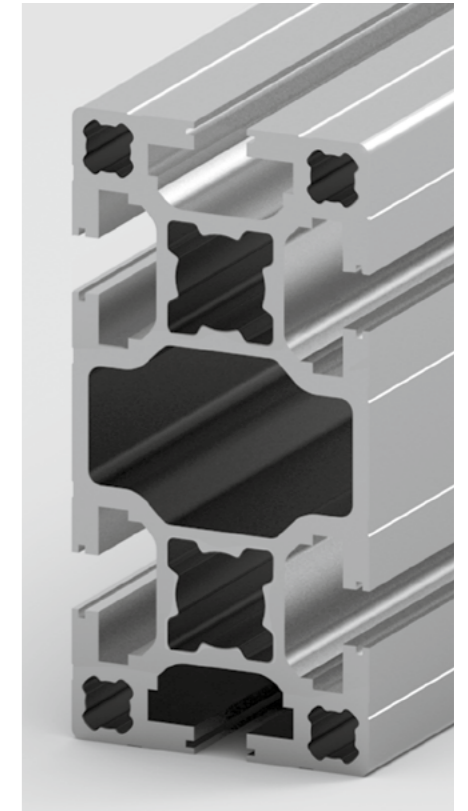
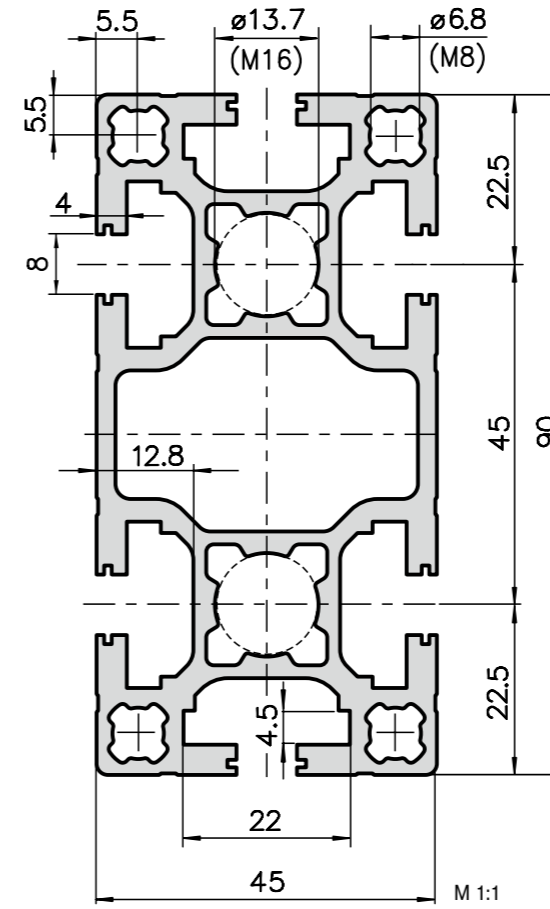
I _x	=	90.44 cm ⁴
I _y	=	23.62 cm ⁴
W _x	=	20.10 cm ³
W _y	=	10.50 cm ³
Cross-section area	=	10.54 cm ²
Weight	=	2.84 kg/m
Alloy	=	EN AW-6063

Order data

Order data	Order number
Light extrusion 45x90	
Standard length 5000 mm	E02-3-5M
Light extrusion 45x90	
Cut to length	E02-3-02-02/...

Extra machining [Pages 43-47](#)

**Base extrusion 45x90
Type E01-3**



Application

This base extrusion can also be used for constructions of all types. It is exceptionally stable and its cross section makes a very wide range of applications possible.

Technical data

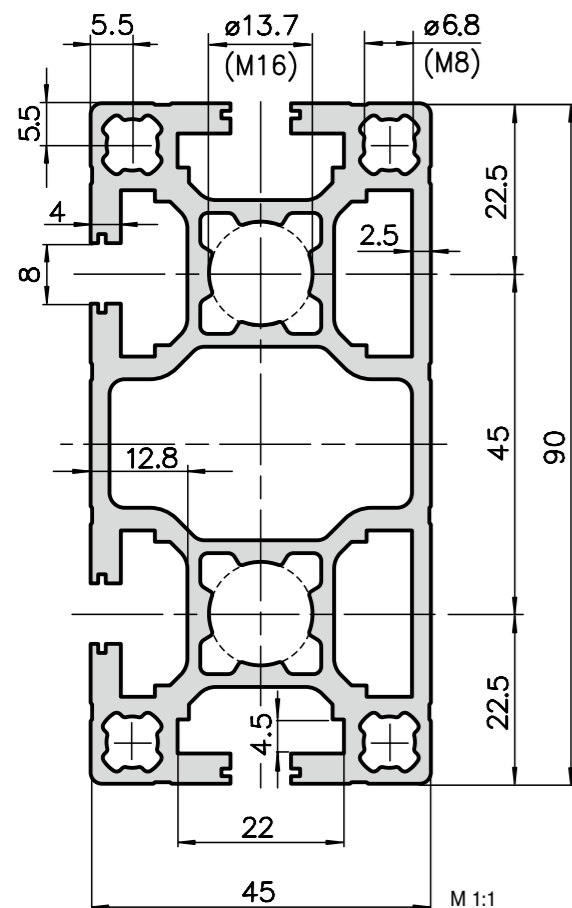
I _x	=	109.54 cm ⁴
I _y	=	29.77 cm ⁴
W _x	=	24.34 cm ³
W _y	=	13.23 cm ³
Cross-section area	=	12.97 cm ²
Weight	=	3.50 kg/m
Alloy	=	EN AW-6063

Order data

Order data	Order number
Base extrusion 45x90	
Standard length 5000 mm	E01-3-5M
Base extrusion 45x90	
Cut to length	E01-3-02-02/...

Extra machining [Pages 43-47](#)

Face extrusion 45x90 Type E01-14



Application

The closed sides reduce possible dirt deposits and give an optically smooth effect. As with all face extrusion, this can also be used for a wide range of applications. Extrusions can also be fitted onto the closed faces.

Technical data

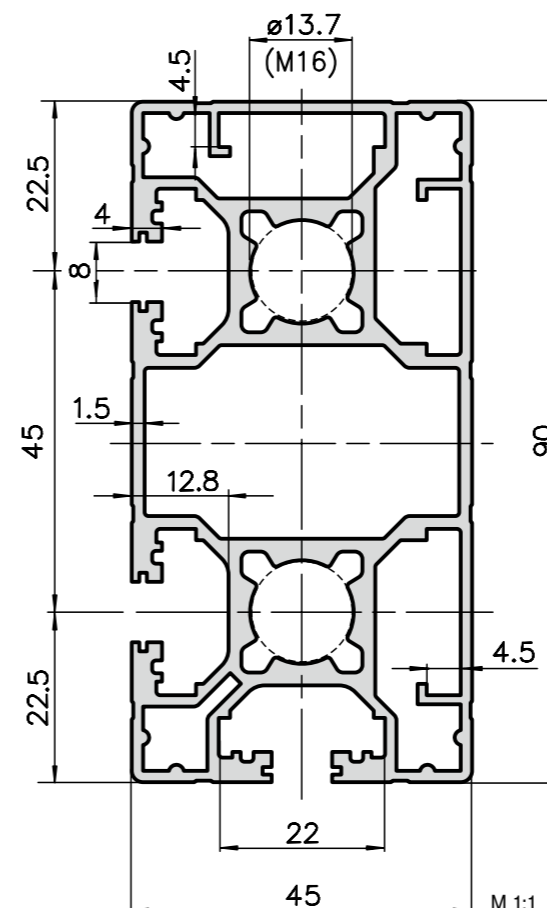
I_x	=	109.45 cm ⁴
I_y	=	30.23 cm ⁴
W_x	=	24.32 cm ³
W_y	=	13.38 cm ³
Cross-section area	=	12.99 cm ²
Weight	=	3.50 kg/m
Alloy	=	EN AW-6063

Order data

Order data	Order number
Face extrusion 45x90	
Standard length 5000 mm	E01-14-5M
Face extrusion 45x90	
Cut to length	E01-14-02-02/...

Extra machining [Pages 43-47](#)

Corner extrusion 45x90 Type E02-2



Application

The corner extrusion is suitable for formwork of all types. The closed sides simplify cleaning. Extrusions can also be fitted onto the closed faces.

Technical data

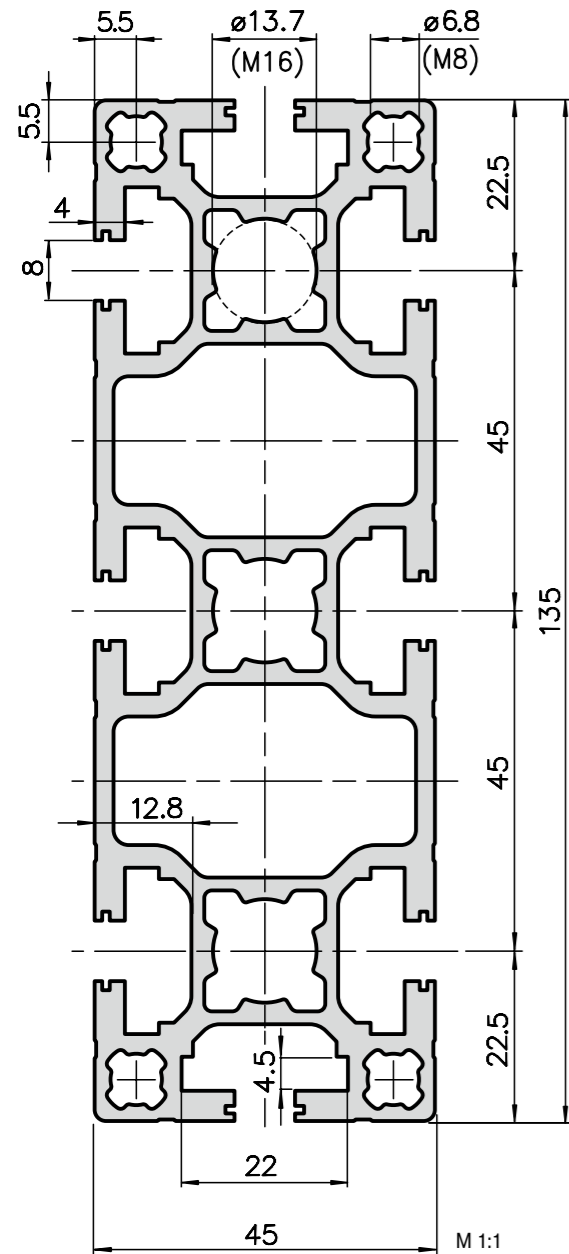
I_x	=	82.76 cm ⁴
I_y	=	22.31 cm ⁴
W_x	=	18.26 cm ³
W_y	=	9.79 cm ³
Cross-section area	=	9.80 cm ²
Weight	=	2.65 kg/m
Alloy	=	EN AW-6063

Order data

Order data	Order number
Corner extrusion 45x90	
Standard length 5000 mm	E02-2-5M
Corner extrusion 45x90	
Cut to length	E02-2-02-02/...

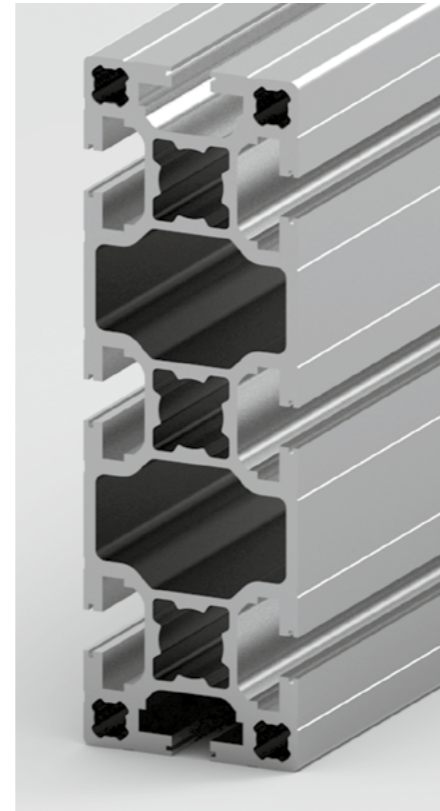
Extra machining [Pages 43-47](#)

Beam extrusion 45x135 Type E01-19



Application

This beam extrusion is mainly used for high loads, thanks to its excellent mechanical strength properties.



Technical data

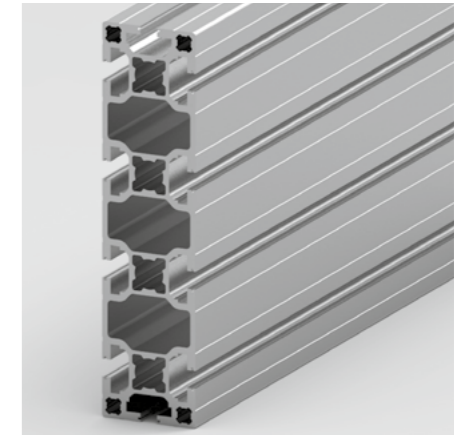
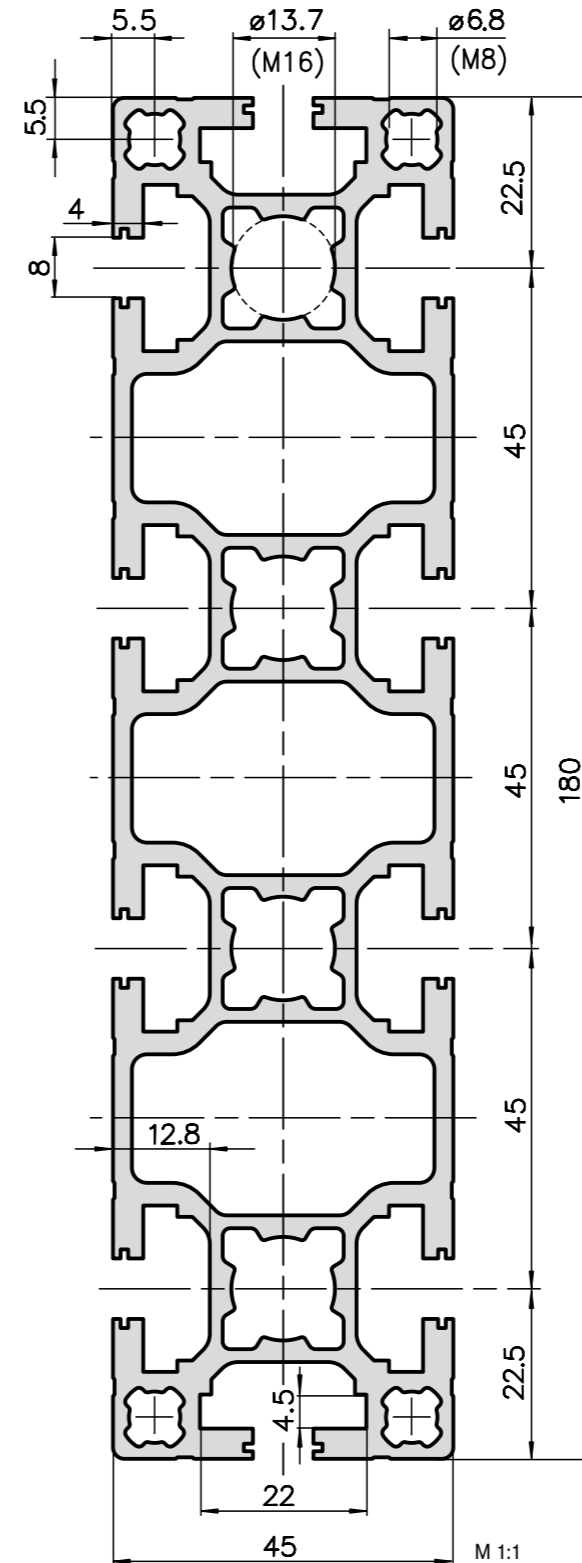
I _x	=	334.22 cm ⁴
I _y	=	43.41 cm ⁴
W _x	=	49.51 cm ³
W _y	=	19.30 cm ³
Cross-section area	=	18.25 cm ²
Weight	=	4.93 kg/m
Alloy	=	EN AW-6063

Order data

Order data	Order number
Beam extrusion 45x135	
Standard length 6000 mm	E01-19-6M
Beam extrusion 45x135	
Cut to length	E01-19-02-02/...

Extra machining [Pages 43-47](#)

Beam extrusion 45x180 Type E01-16



Application

A extrusion for applications with very high load and span widths. Robust large structures can be built. It is also the perfect solution for large portals and stable cross beams.

Technical data

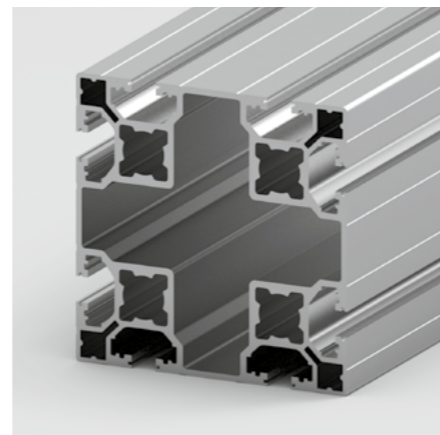
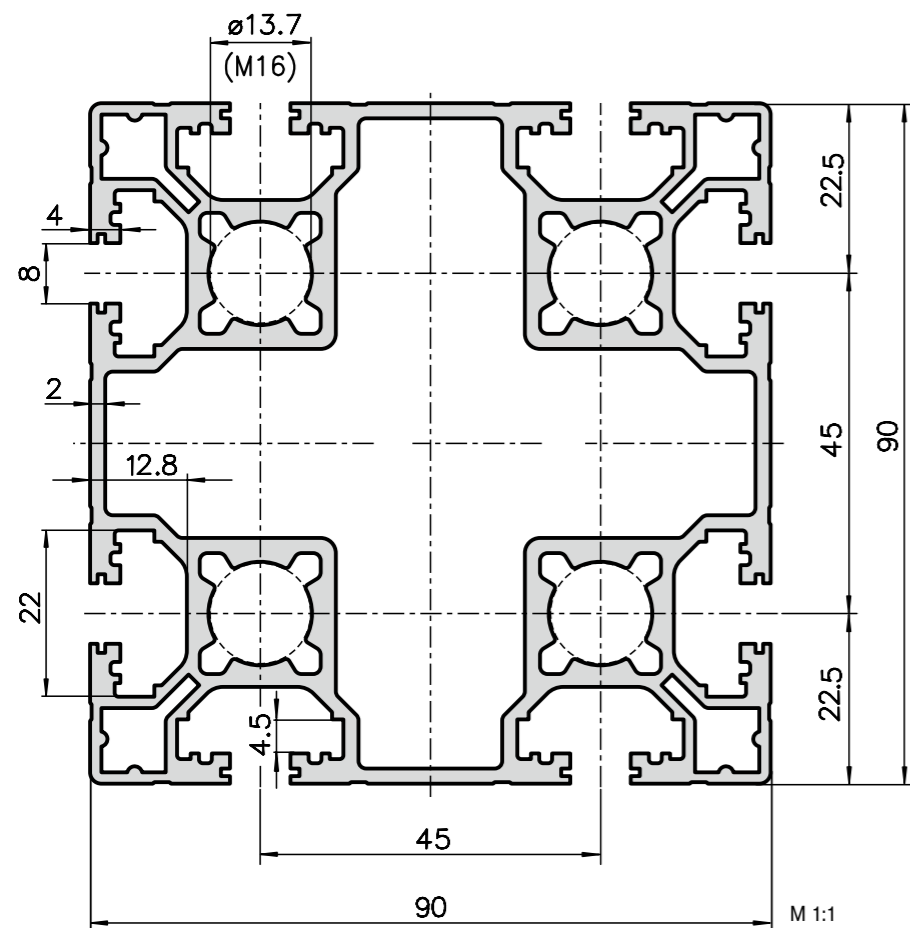
I _x	=	743.74 cm ⁴
I _y	=	57.06 cm ⁴
W _x	=	82.64 cm ³
W _y	=	25.36 cm ³
Cross-section area	=	23.54 cm ²
Weight	=	6.36 kg/m
Alloy	=	EN AW-6063

Order data

Order data	Order number
Beam extrusion 45x180	
Standard length 6000 mm	E01-16-6M
Beam extrusion 45x180	
Cut to length	E01-16-02-02/...

Extra machining [Pages 43-47](#)

Light extrusion 90x90 Type E02-5



Application

The light extrusion 90x90 main feature is its optimal torsional stiffness. The lightweight design offers a stable construction at an unbeatable price.

Technical data

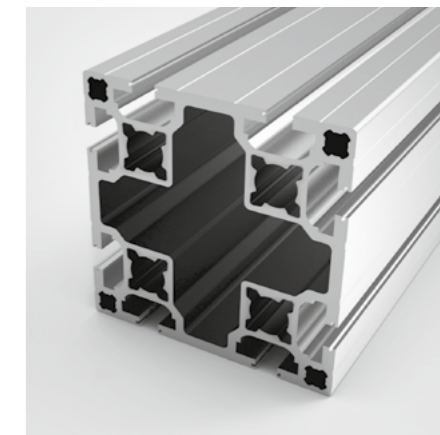
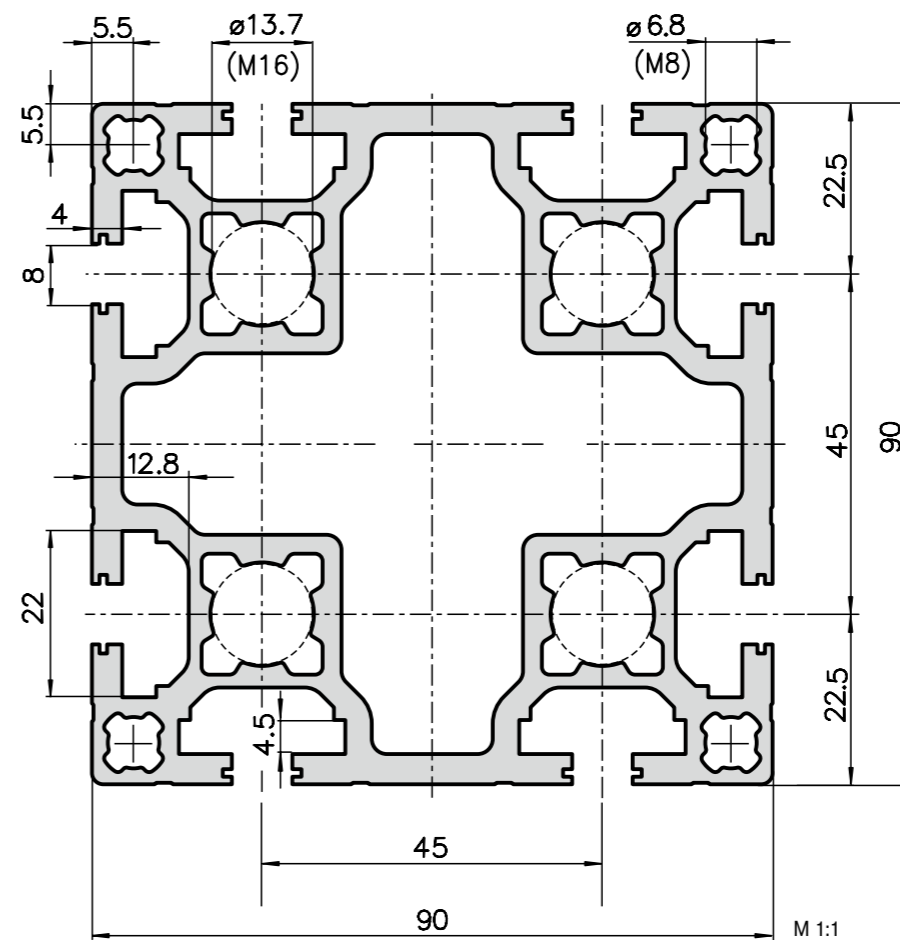
$I_{x, y}$	=	160.09 cm ⁴
$W_{x, y}$	=	35.58 cm ³
Cross-section area	=	17.53 cm ²
Weight	=	4.73 kg/m
Alloy		EN AW-6063

Order data

Order data	Order number
Light extrusion 90x90	
Standard length 6000 mm	E02-5-6M
Light extrusion 90x90	
Cut to length	E02-5-02-02/...

Extra machining [Pages 43-47](#)

Base extrusion 90x90 Type E01-4



Application

The qualities of this universal extrusion are its high strength and torsional stiffness. These make it widely used in mechanical and plant engineering. Let your ideas run free.

Technical data

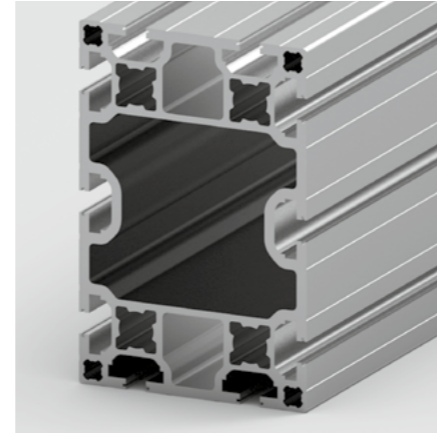
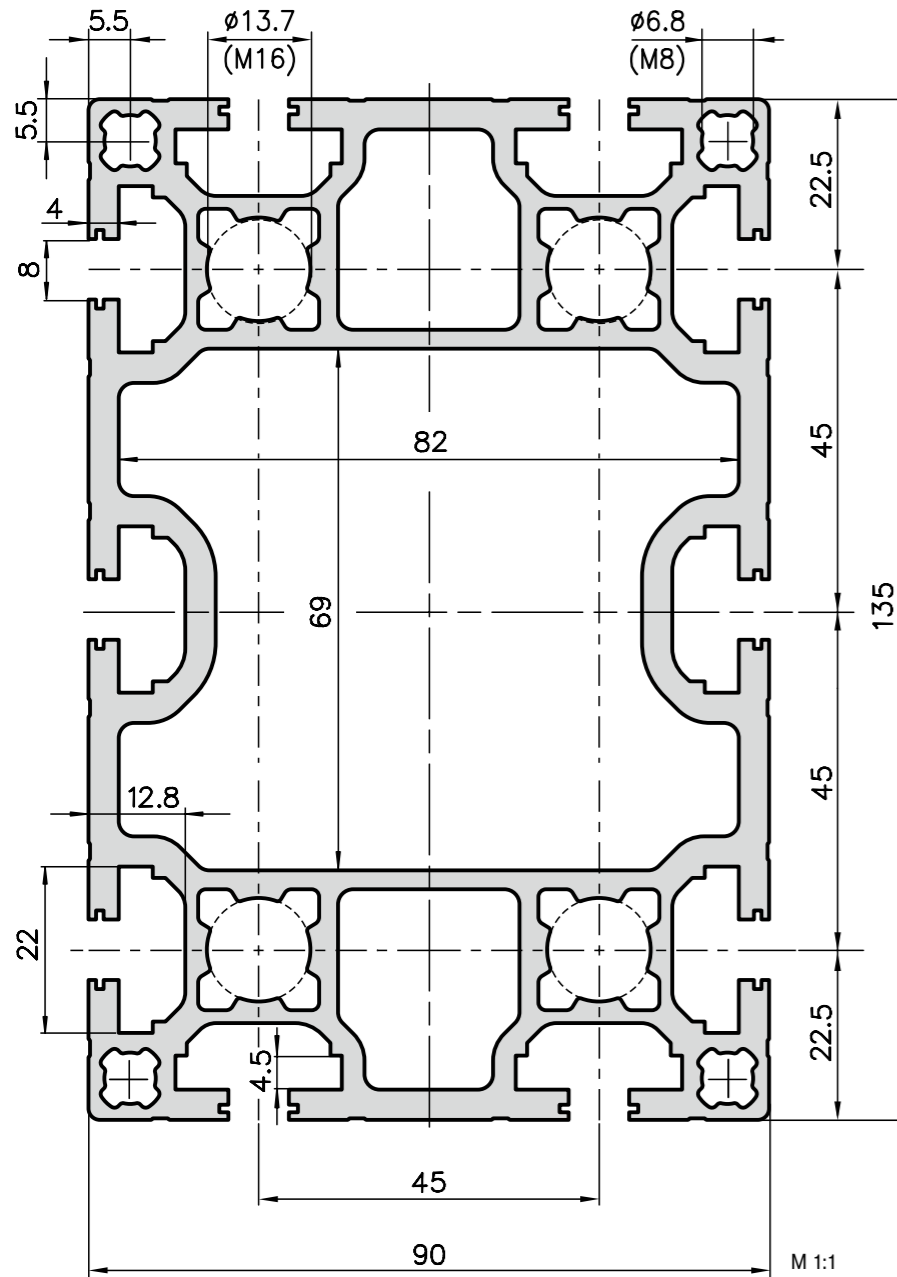
$I_{x, y}$	=	205.78 cm ⁴
$W_{x, y}$	=	45.73 cm ³
Cross-section area	=	22.50 cm ²
Weight	=	6.08 kg/m
Alloy		EN AW-6063

Order data

Order data	Order number
Base extrusion 90x90	
Standard length 6000 mm	E01-4-6M
Base extrusion 90x90	
Cut to length	E01-4-02-02/...

Extra machining [Pages 43-47](#)

Beam extrusion 90x135 Type E01-13



Application

This extrusion can be used for a wide range of applications. Its optimal structural stress values make it perfect for general constructions with high loads.

Technical data

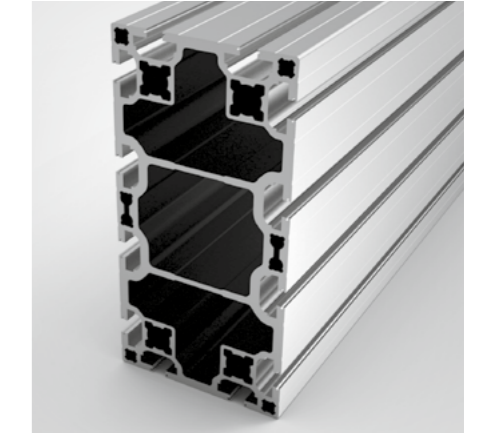
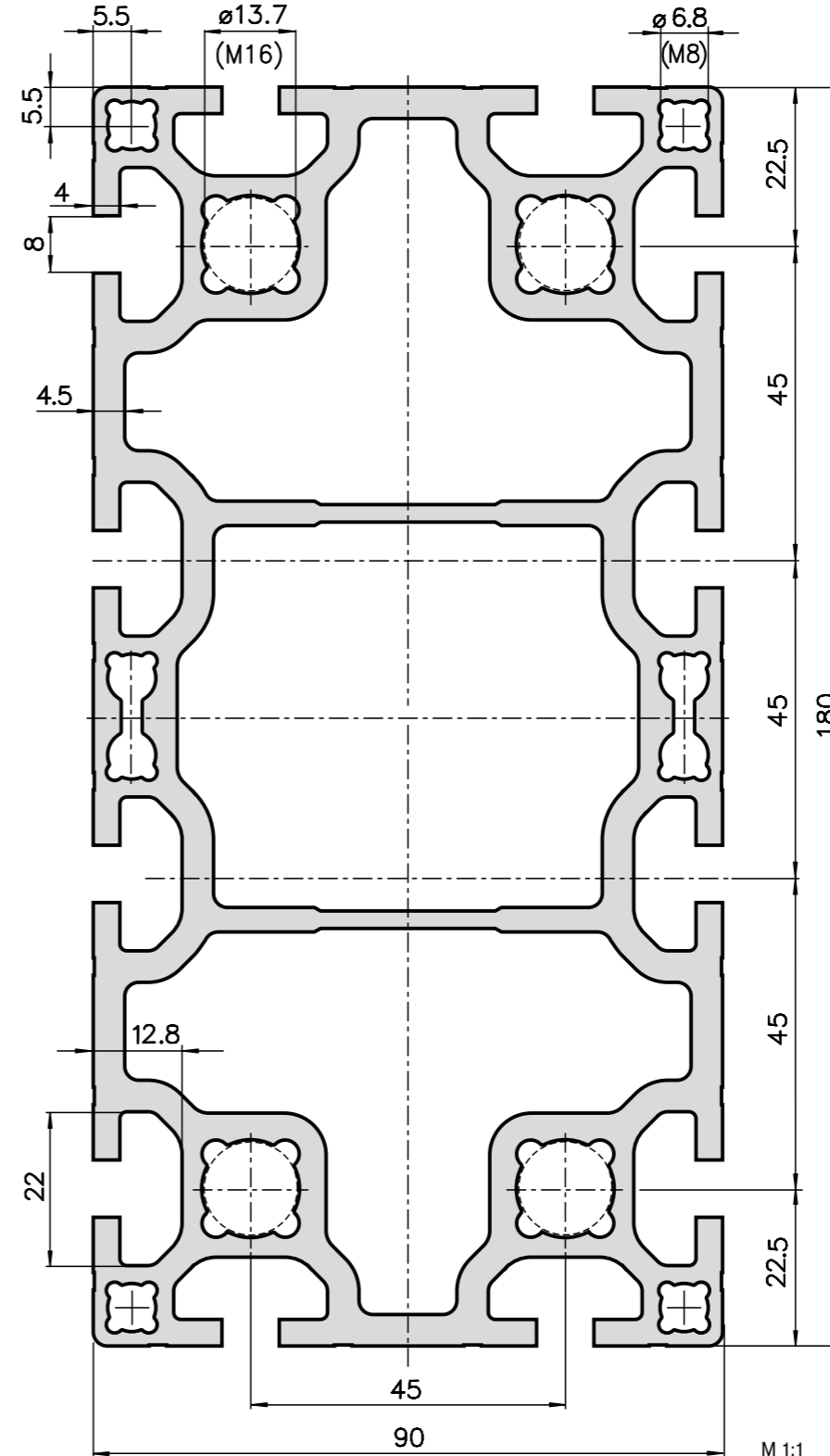
I_x	=	618.00 cm ⁴
I_y	=	300.57 cm ⁴
W_x	=	98.56 cm ³
W_y	=	66.79 cm ³
Cross-section area	=	30.06 cm ²
Weight	=	8.10 kg/m
Alloy	=	EN AW-6063

Order data Order number

Beam extrusion 90x135	
Standard length 6000 mm	E01-13-6M
Beam extrusion 90x135	
Cut to length	E01-13-02-02/...

Extra machining [Pages 43-47](#)

Beam extrusion 90x180 Type E01-5



Application

A heavy duty extrusion for portal construction and structures with large self supporting lengths. Ideally suited for all large structures.

Technical data

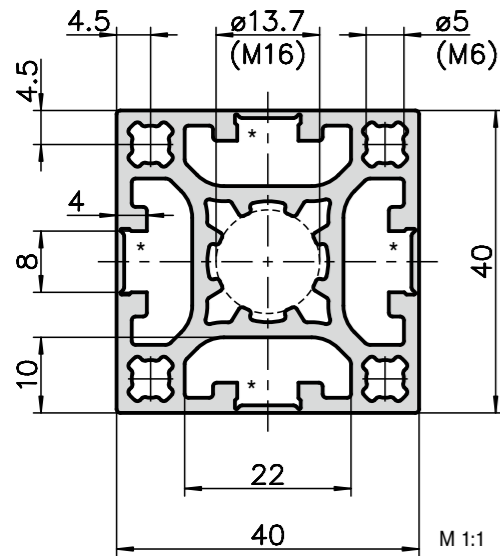
I_x	=	1525.63 cm ⁴
I_y	=	443.9 cm ⁴
W_x	=	169.51 cm ³
W_y	=	98.64 cm ³
Cross-section area	=	44.68 cm ²
Weight	=	12.06 kg/m
Alloy	=	EN AW-6063

Order data Order number

Beam extrusion 90x180	
Standard length 6000 mm	E01-5-6M
Beam extrusion 90x180	
Cut to length	E01-5-02-02/...

Extra machining [Pages 43-47](#)

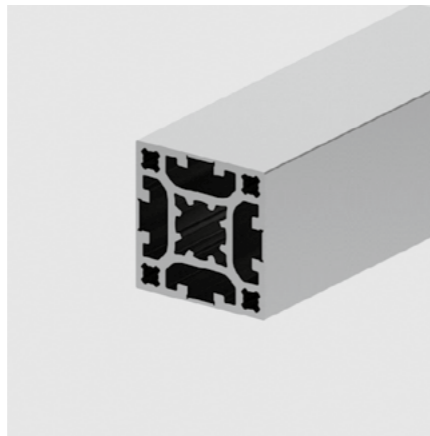
Four sided softline extrusion 40x40 type C10-0



* Rip off slot

Application

These extrusions are used in clean-room applications, in the food industry or anywhere where no open slots are to be found and where smooth surfaces are desired. Thanks to the rip off slots, all connection options are guaranteed.



Technical data

$I_{x,y}$	=	9.6 cm ⁴
$W_{x,y}$	=	4.75 cm ³
Cross-section area	=	5.97 cm ²
Weight	=	1.6 kg/m
Alloy	=	EN AW-6060

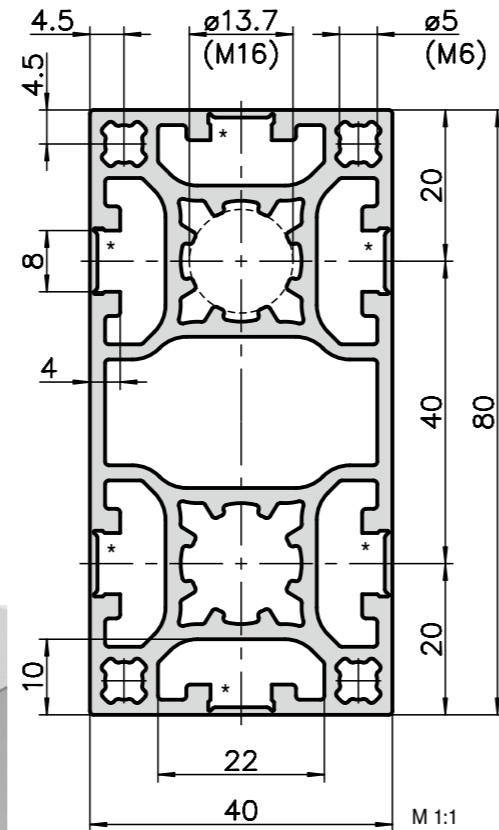
Order data Order number

Four sided softline extrusion 40x40	
Standard length 5000 mm	C10-0-5M
Four sided softline extrusion 40x40	
Cut to length	C10-0-02-02/...
Extra machining	Pages 43-47

Extra machining

[Pages 43-47](#)

Four sided softline extrusion 40x80 type C10-3



Application

Due to its dimensions, this extrusion achieves high stability and is mostly used in clean room areas or in the food industry.

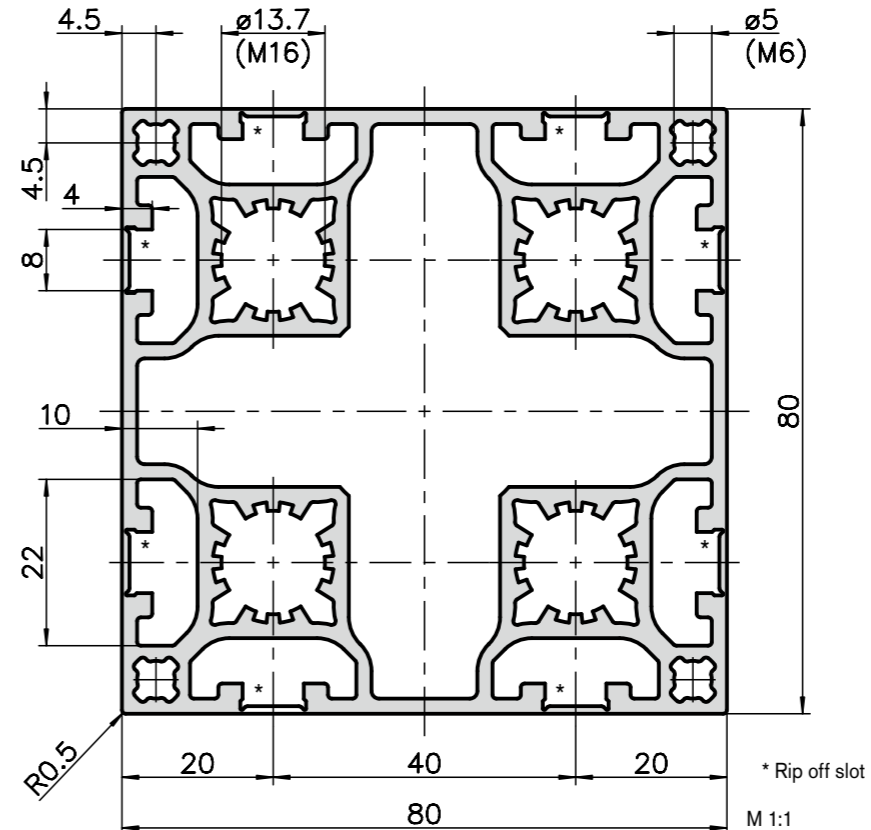
Technical data

I_x	=	69.73 cm ⁴
I_y	=	18.52 cm ⁴
W_x	=	17.43 cm ³
W_y	=	9.26 cm ³
Cross-section area	=	10.34 cm ²
Weight	=	2.8 kg/m
Alloy	=	EN AW-6060

Order data Order number

Four sided softline extrusion 40x80	
Standard length 5000 mm	C10-3-5M
Four sided softline extrusion 40x80	
Cut to length	C10-3-02-02/...

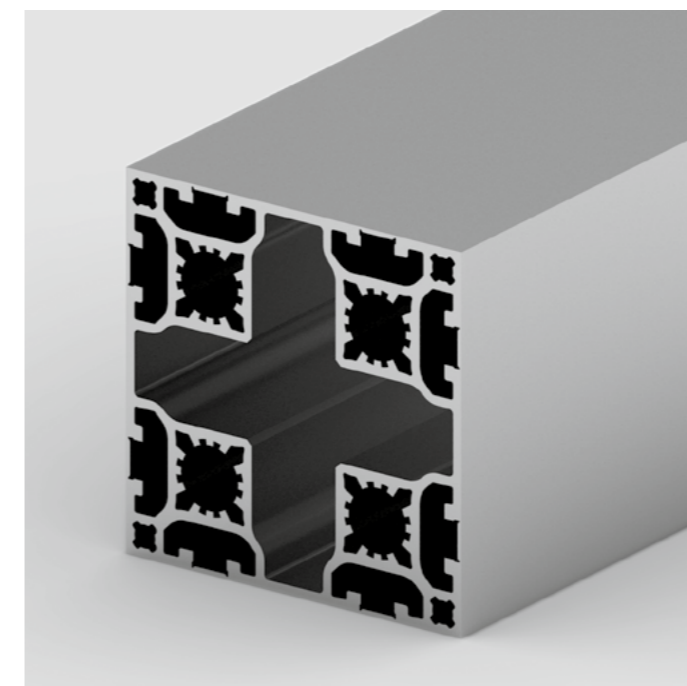
Four sided softline extrusion 80x80 type C10-4



* Rip off slot

Application

This lightweight, fully closed extrusion with a dimension 80x80, together with the 40x40 and 40x80 of the softline range of extrusions, is used in clean-room applications and for aesthetic applications where no slots are desired. The slots can be easily opened thanks to the predetermined breaking point. The proven Kanya connection technology can be easily used. Closing slots afterwards is inefficient and expensive! Partial opening of slots does not pose a problem, thereby allowing panels to be inserted into the slots of constructions.



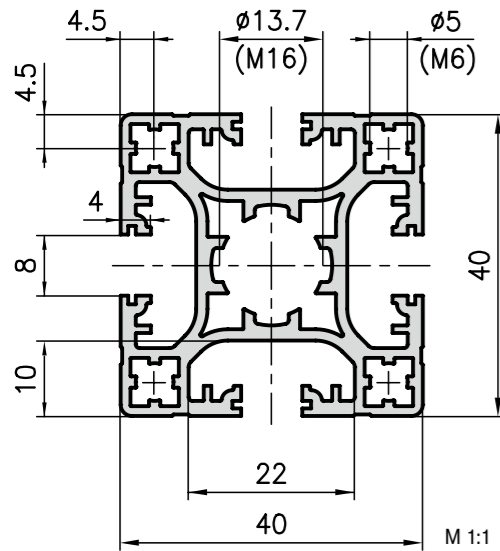
Technical data

$I_{x,y}$	=	119.40 cm ⁴
$W_{x,y}$	=	29.85 cm ³
Cross-section area	=	16.36 cm ²
Weight	=	4.39 kg/m
Alloy	=	EN AW-6060

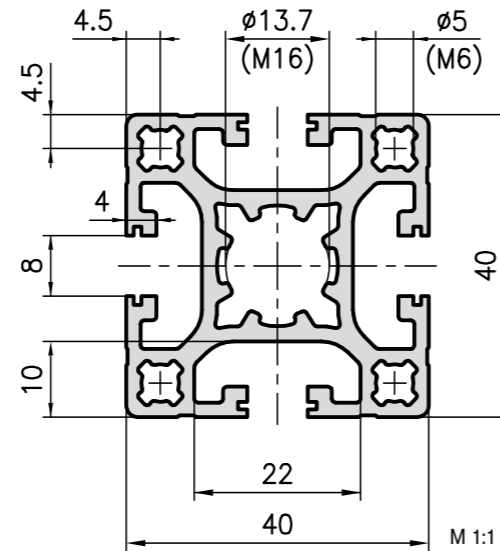
Order data Order number

Softline extrusion 80x40	
Standard length 5000 mm	C10-4-5M
Softline extrusion 80x80	
Cut to length	C10-4-02-02/...
Extra machining	Pages 43-47

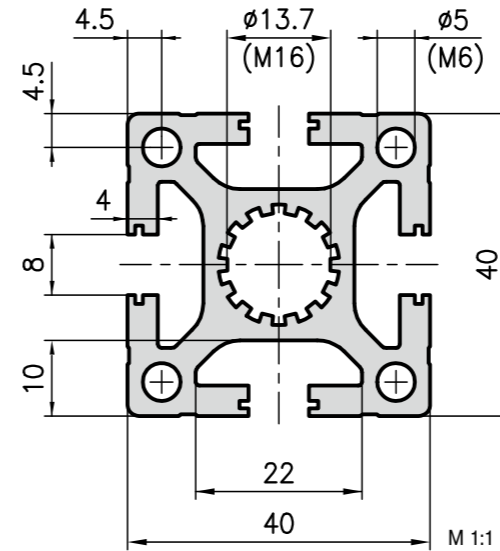
40x40 super lightweight extrusion type C03-1



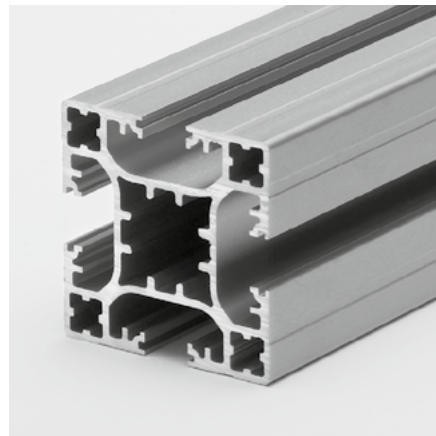
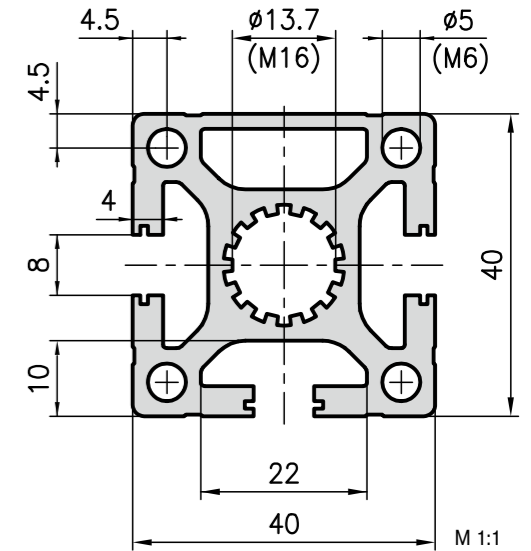
40x40 lightweight extrusion type C02-1



40x40 base extrusion type C01-1

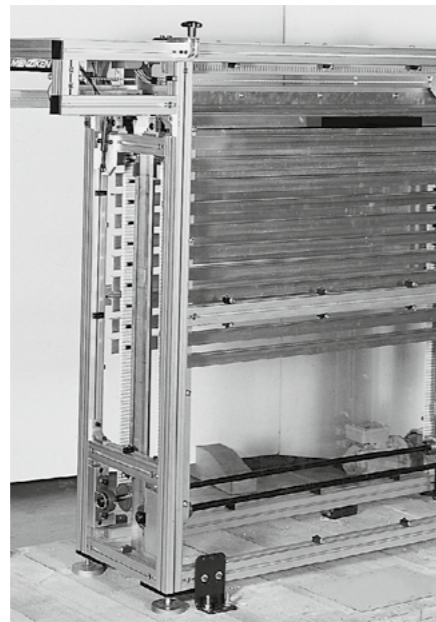


40x40 face extrusion type C01-8



Application

These lightweight extrusions help to keep costs down! They can be used to create lightweight designs with excellent loadbearing capabilities.

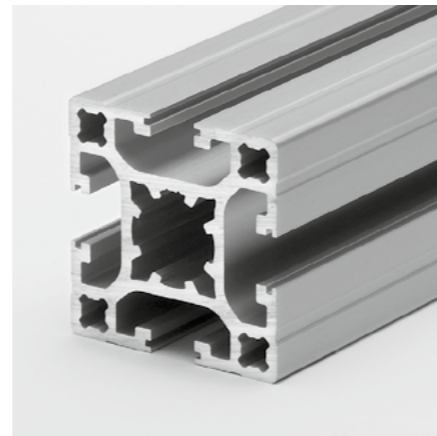


Technical data

$I_{x,y}$	=	8.20 cm ⁴
$W_{x,y}$	=	4.10 cm ³
Cross-section area	=	4.90 cm ²
Weight	=	1.3 kg/m
Alloy	=	EN AW-6060

Order data Order number

40x40 super lightweight extrusion	
Standard length 5000 mm	C03-1-5M
40x40 super lightweight extrusion	
Cut to length	C03-1-02-02/...
Extra machining	Pages 43-47

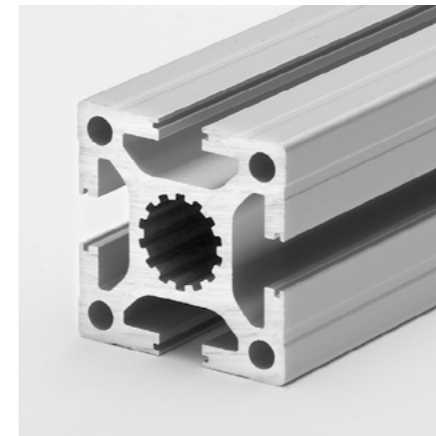


Technical data

$I_{x,y}$	=	9.35 cm ⁴
$W_{x,y}$	=	4.67 cm ³
Cross-section area	=	5.70 cm ²
Weight	=	1.5 kg/m
Alloy	=	EN AW-6063

Order data Order number

40x40 lightweight extrusion	
Standard length 5000 mm	C02-1-5M
40x40 lightweight extrusion	
Cut to length	C02-1-02-02/...
Extra machining	Pages 43-47



Technical data

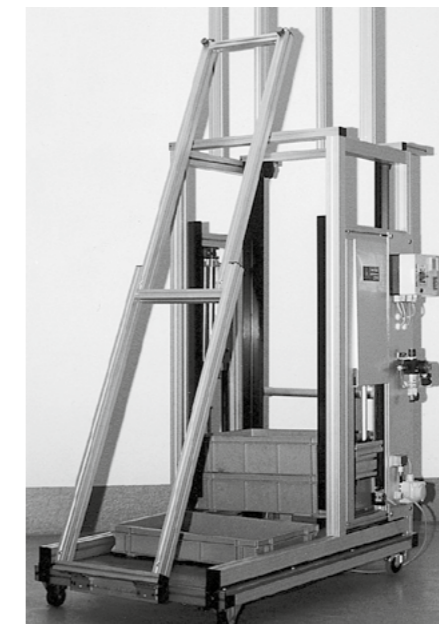
$I_{x,y}$	=	11.70 cm ⁴
$W_{x,y}$	=	5.75 cm ³
Cross-section area	=	7.29 cm ²
Weight	=	2.0 kg/m
Alloy	=	EN AW-6063

Order data Order number

40x40 base extrusion	
Standard length 5000 mm	C01-1-5M
40x40 base extrusion	
Cut to length	C01-1-02-02/...
Extra machining	Pages 43-47

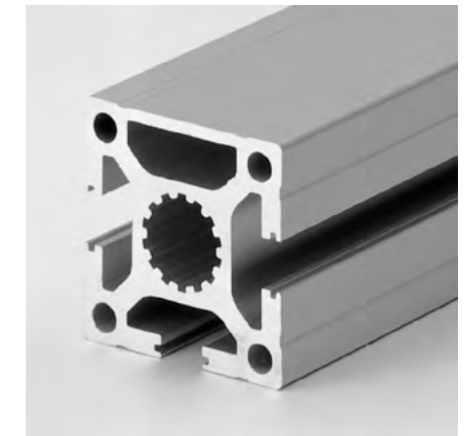
Application

These versatile extrusions can be used for all kinds of structures. With their 40 mm base, they complement extrusions with 20, 30 and 50 mm bases perfectly. The base extrusion itself is extraordinarily sturdy and is hard to beat in terms of value for money.



Extra machining

[Pages 43-47](#)



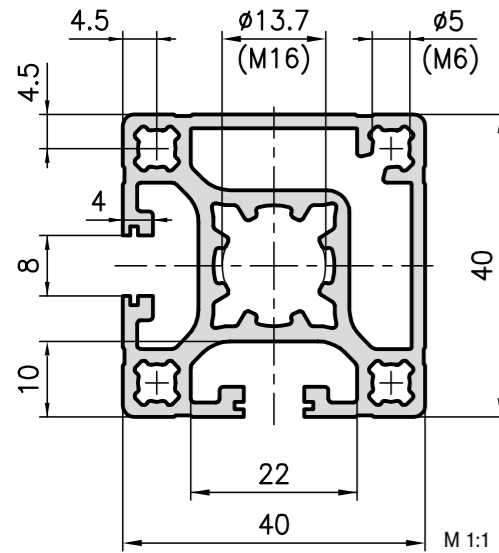
Technical data

I_x	=	11.66 cm ⁴
I_y	=	11.67 cm ⁴
W_x	=	5.78 cm ³
W_y	=	5.83 cm ³
Cross-section area	=	7.30 cm ²
Weight	=	2.0 kg/m
Alloy	=	EN AW-6063

Order data Order number

40x40 face extrusion	
Standard length 5000 mm	C01-8-5M
40x40 face extrusion	
Cut to length	C01-8-02-02/...

40x40 corner extrusion type C01-7



Application

Partially closed extrusions are particularly attractive in design, trap less dirt and can be used for a wide range of applications.

Technical data

$I_{x,y}$	=	9.21 cm ⁴
$W_{x,y}$	=	4.53 cm ³
Cross-section area	=	5.56 cm ²
Weight	=	1.5 kg/m
Alloy	=	EN AW-6063

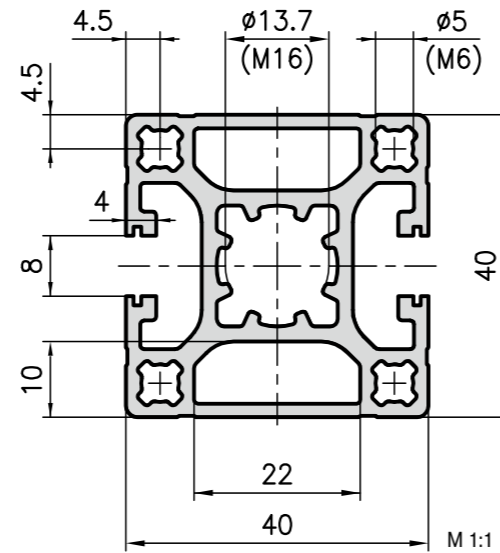
Order data Order number

40x40 corner extrusion	
Standard length 5000 mm	C01-7-5M
40x40 corner extrusion	
Cut to length	C01-7-02-02/...

Extra machining

[Pages 43-47](#)

40x40 double face extrusion type C02-4



Application

For all types of enclosure, as well as for structures with extrusion faces which are mainly closed and for applications with an attractive design.

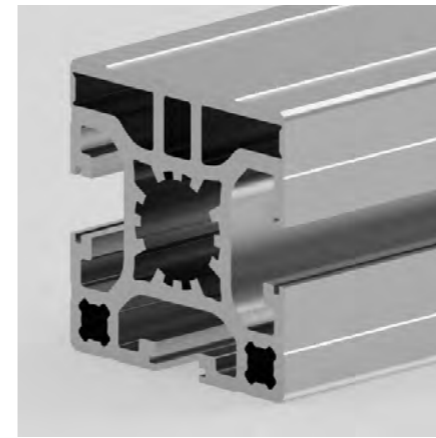
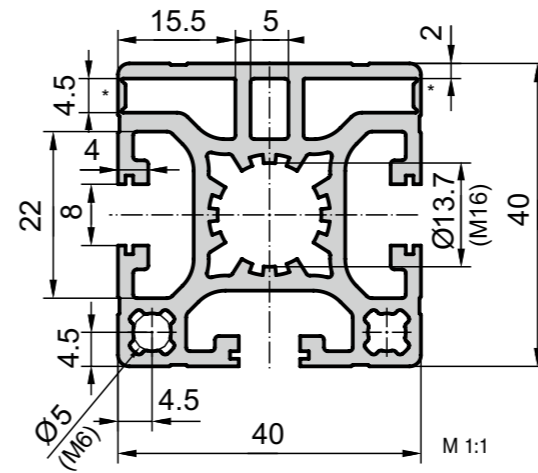
Technical data

I_x	=	9.56 cm ⁴
I_y	=	9.21 cm ⁴
W_x	=	4.78 cm ³
W_y	=	4.60 cm ³
Cross-section area	=	5.69 cm ²
Weight	=	1.5 kg/m
Alloy	=	EN AW-6063

Order data Order number

40x40 double face extrusion	
Standard length 5000 mm	C02-4-5M
40x40 double face extrusion	
Cut to length	C02-4-02-02/...

Face panel extrusion 40x40 type C04-2



Application

Face and corner panel extrusions have rip off slots. This allows you to insert panels in the face extension. The associated surround extrusion C39-64 can be found on [Page 186](#).

Technical data

I_x	=	9.13 cm ⁴
I_y	=	9.92 cm ⁴
W_x	=	4.57 cm ³
W_y	=	4.96 cm ³
Cross-section area	=	6.02 cm ²
Weight	=	1.63 kg/m
Alloy	=	EN AW-6063

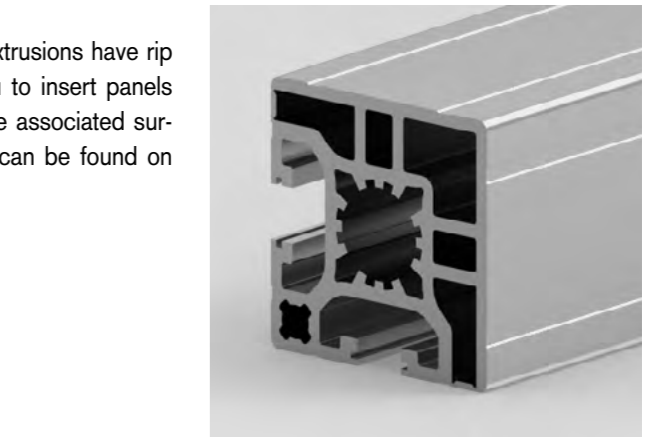
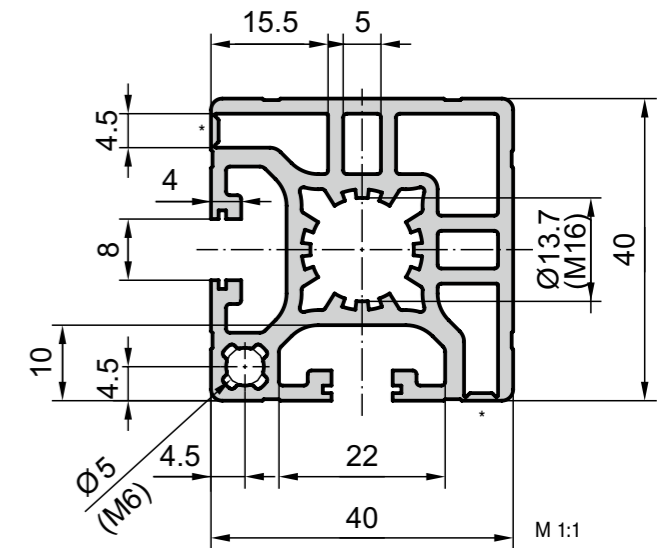
Order data Order number

Face panel extrusion 40x40	
Standard length 5000 mm	C04-2-5M
Face panel extrusion 40x40	
Cut to length	C04-2-02-02/...

Extra machining

[Pages 43-47](#)

Corner panel extrusion 40x40 type C04-7



Technical data

I_x, y	=	9.53 cm ⁴
W_x, y	=	4.76 cm ³
Cross-section area	=	6.09 cm ²
Weight	=	1.64 kg/m
Alloy	=	EN AW-6063

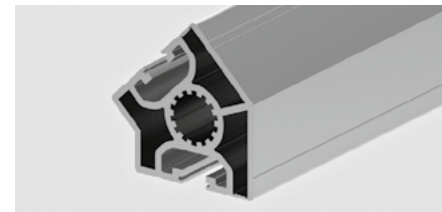
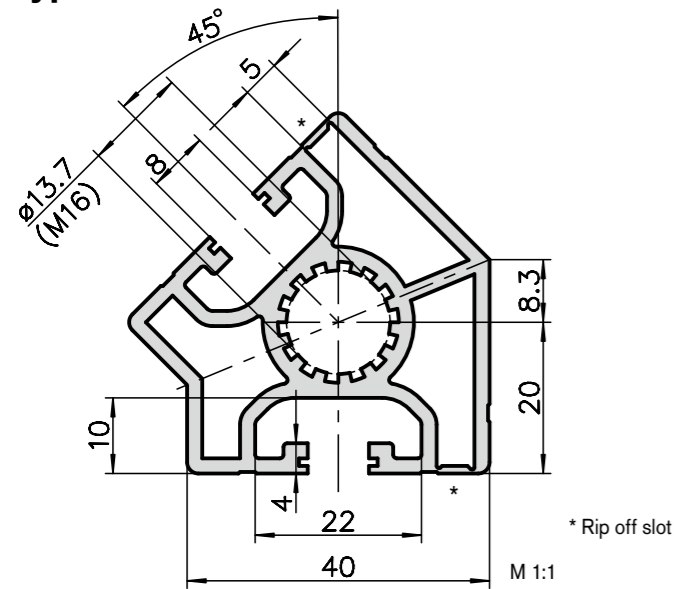
Order data Order number

Corner panel extrusion 40x40	
Standard length 5000 mm	C04-7-5M
Corner panel extrusion 40x40	
Cut to length	C04-7-02-02/...

Extra machining

[Pages 43-47](#)

45° angle extrusion type C04-4



Application

Used for mitered constructions or as angle element for 45° connections.

Technical data

I _x	=	8.46 cm ⁴
I _y	=	9.11 cm ⁴
W _x	=	3.01 cm ³
W _y	=	3.44 cm ³
Cross-section area	=	5.52 cm ²
Weight	=	1.49 kg/m
Alloy	=	EN AW-6060

Order data Order number

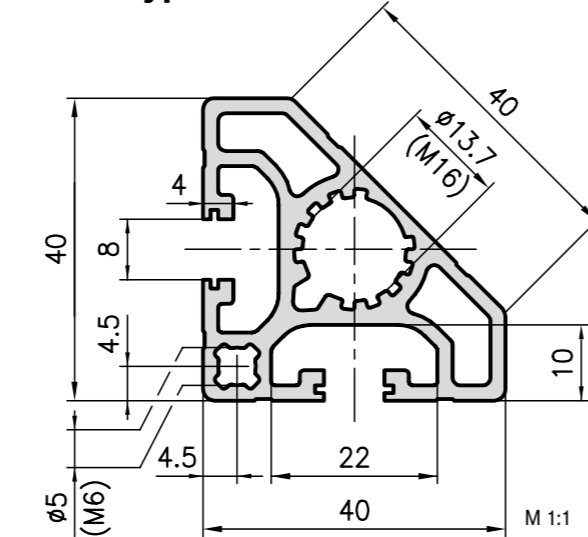
45° angle extrusion	
Standard length 5000 mm	C04-4-5M
45° angle extrusion	
Cut to length	C04-4-02-02/...



Extra machining

[Pages 43-47](#)

40x45° angle extrusion type C02-8



Application

The C02-8 type angle extrusion allows you to create attractive, soft contours and has the versatility to be used for all sorts of structural designs.

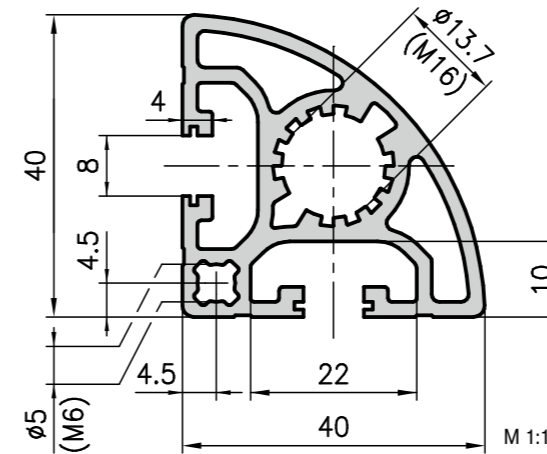
Technical data

I _{x,y}	=	6.30 cm ⁴
W _{x,y}	=	2.70 cm ³
Cross-section area	=	4.57 cm ²
Weight	=	1.2 kg/m
Alloy	=	EN AW-6063

Order data Order number

40x45° angle extrusion	
Standard length 5000 mm	C02-8-5M
40x45° angle extrusion	
Cut to length	C02-8-02-02/...
Extra machining	Pages 43-47

Softline extrusion 40x40 type C03-8



Application

The softline extrusion is ideal for work tables, furniture, showcases, picture frames and much more. Everywhere where disturbing edges are undesirable.

Technical data

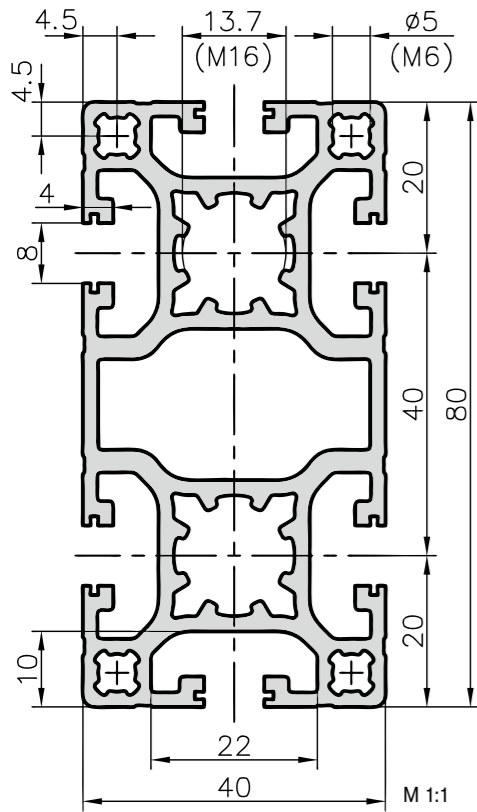
I _{x,y}	=	6.70 cm ⁴
W _{x,y}	=	2.97 cm ³
Cross-section area	=	4.90 cm ²
Weight	=	1.3 kg/m
Alloy	=	EN AW-6060

Order data Order number

Softline extrusion 40x40	
Standard length 5000 mm	C03-8-5M
Softline extrusion 40x40	
Cut to length	C03-8-02-02/...
Extra machining	Pages 43-47

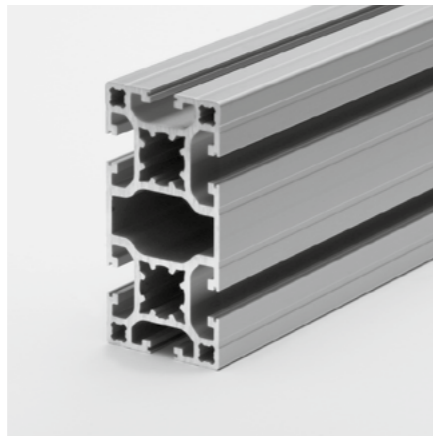


40x80 light extrusion type C02-3



Application

These extrusions can be used to hold liquids and gases, to bear loads, to take threads and lots more. They can be a perfect solution to very specific problems. They can be combined with 20, 30, 45 and 50 series extrusions, which means that you can genuinely build on this design of extrusion.



Technical data

I_x	=	64.90 cm ⁴
I_y	=	17.70 cm ⁴
W_x	=	16.23 cm ³
W_y	=	8.85 cm ³
Cross-section area	=	10.20 cm ²
Weight	=	2.8 kg/m
Alloy	=	EN AW-6063

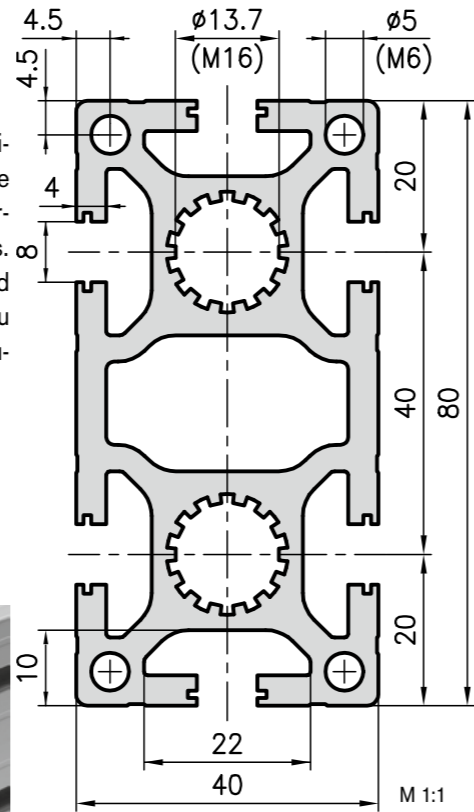
Order data Order number

40x80 light extrusion	
Standard length 5000 mm	C02-3-5M
40x80 light extrusion	
Cut to length	C02-3-02-02/...

Extra machining

[Pages 43-47](#)

40x80 base extrusion type C01-3



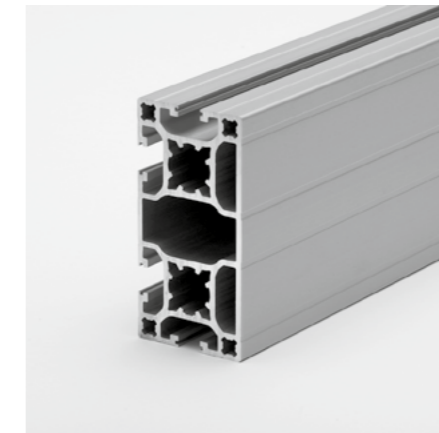
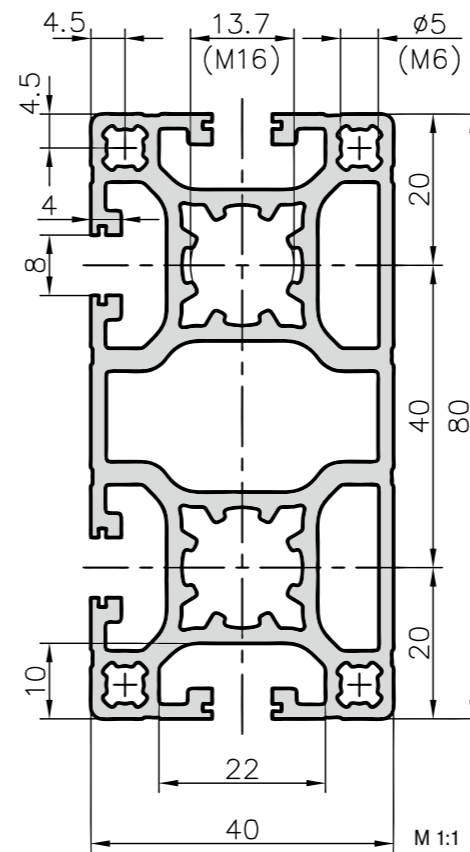
Technical data

I_x	=	81.95 cm ⁴
I_y	=	22.74 cm ⁴
W_x	=	20.49 cm ³
W_y	=	11.37 cm ³
Cross-section area	=	13.50 cm ²
Weight	=	3.7 kg/m
Alloy	=	EN AW-6063

Order data Order number

40x80 base extrusion	
Standard length 5000 mm	C01-3-5M
40x80 base extrusion	
Cut to length	C01-3-02-02/...

40x80 face extrusion type C01-5



Application

Like all partially closed extrusions, this item is ideal if you want to keep your structure as clean as possible.

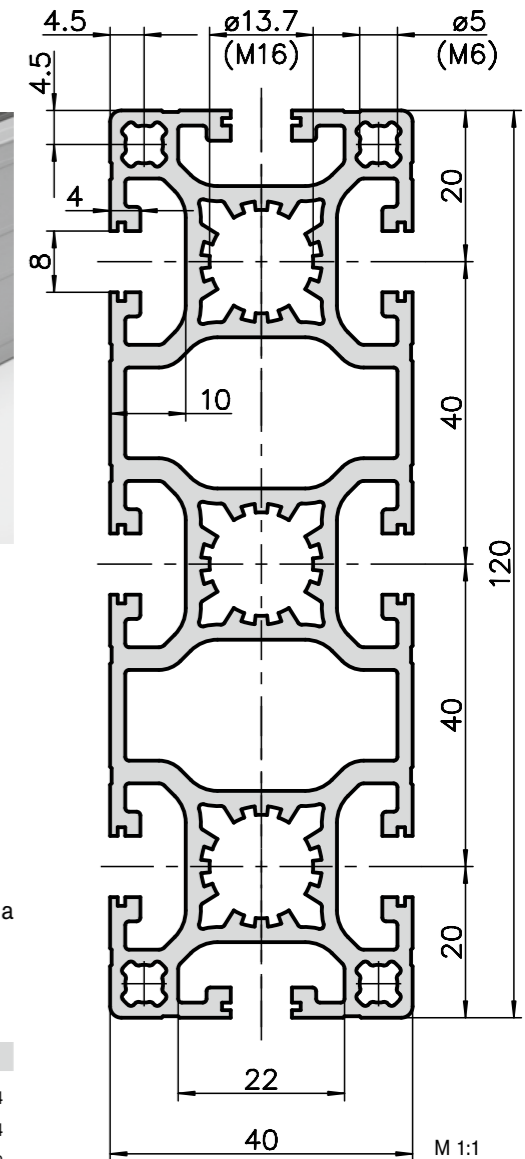
Technical data

I_x	=	64.40 cm ⁴
I_y	=	17.20 cm ⁴
W_x	=	16.10 cm ³
W_y	=	8.60 cm ³
Cross-section area	=	9.76 cm ²
Weight	=	2.6 kg/m
Alloy	=	EN AW-6063

Order data Order number

40x80 face extrusion	
Standard length 5000 mm	C01-5-5M
40x80 face extrusion	
Cut to length	C01-5-02-02/...
Extra machining	Pages 43-47

40x120 light extrusion type C03-9



Application

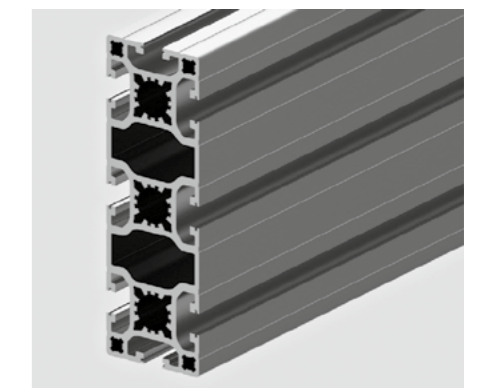
The light extrusion 40x120 is used as a cost efficient beam.

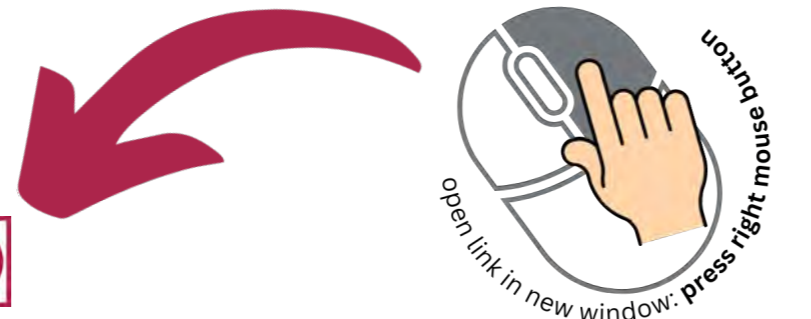
Technical data

I_x	=	203.49 cm ⁴
I_y	=	25.75 cm ⁴
W_x	=	33.91 cm ³
W_y	=	12.87 cm ³
Cross-section area	=	14.77 cm ²
Weight	=	3.99 kg/m
Alloy	=	EN AW-6060

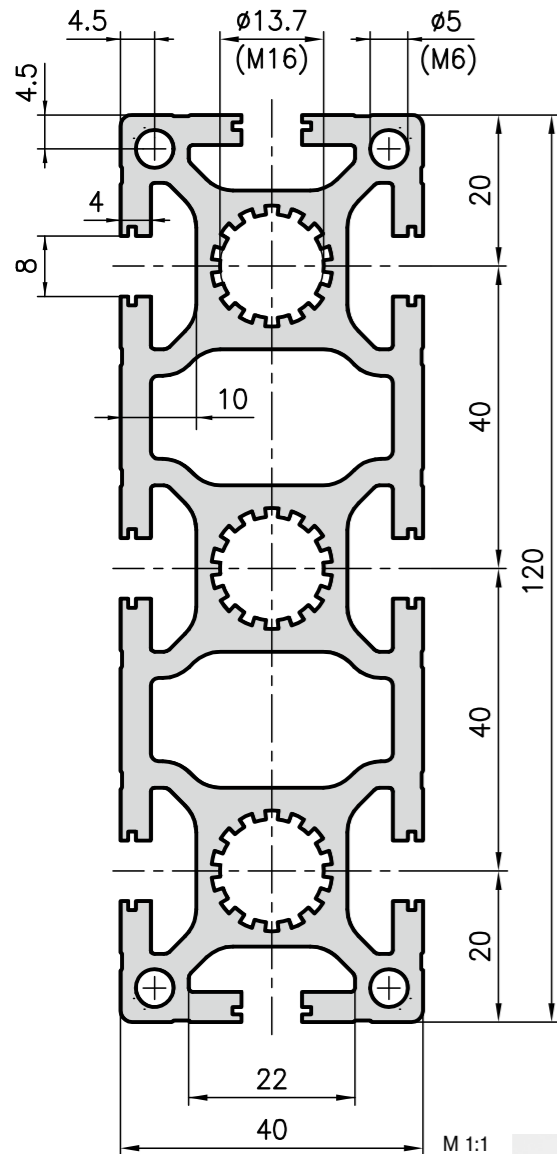
Order data Order number

40x120 light extrusion	
Standard length 5000 mm	C03-9-5M
40x120 light extrusion	
Cut to length	C03-9-02-02/...
Extra machining	Pages 43-47



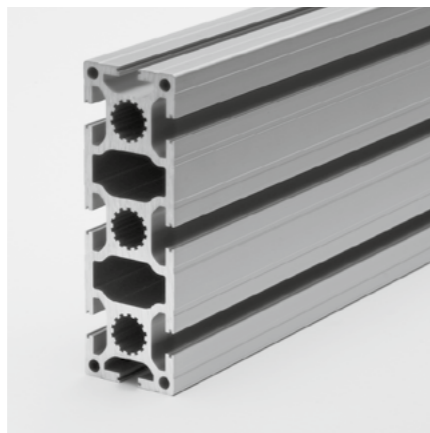


40x120 beam extrusion type C01-9



Application

The beam extrusion has the same properties as the MA1-3 bearing extrusion (50x150) with slightly lower load-bearing capability.



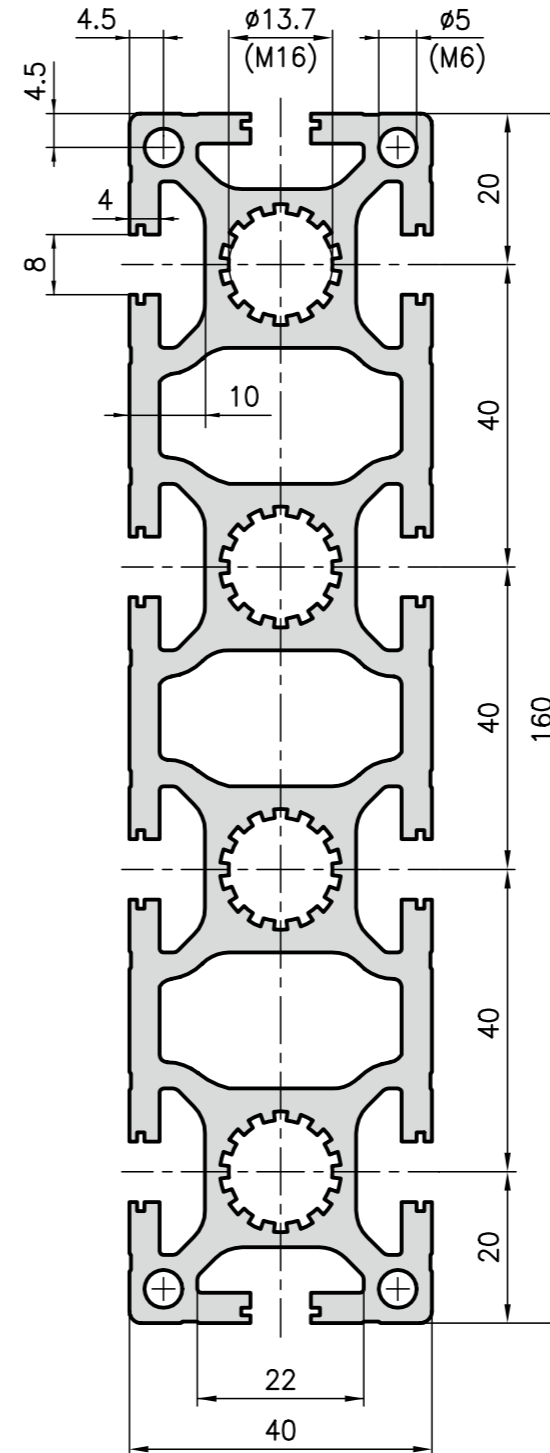
Technical data

I_x	=	263.20 cm ⁴
I_y	=	33.94 cm ⁴
W_x	=	43.09 cm ³
W_y	=	16.72 cm ³
Cross-section area	=	19.63 cm ²
Weight	=	5.36 kg/m
Alloy	=	EN AW-6063

Order data **Order number**

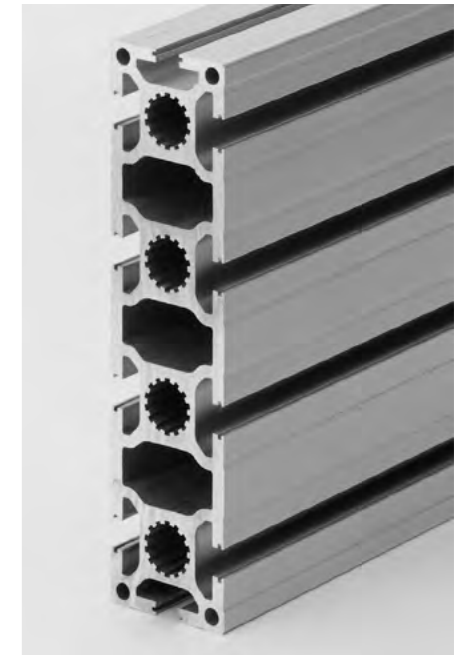
40x120 bearing extrusion	
Standard length 5000 mm	C01-9-5M
Standard length 6000 mm	C01-9-6M
40x120 bearing extrusion	
Cut to length	C01-9-02-02/...
Extra machining	Pages 43-47

40x160 beam extrusion type C02-9



Application

This versatile extrusion is particularly useful for structures which are subjected to heavy loads and which span large widths. It can also be used as a multiple supply line for a variety of media.



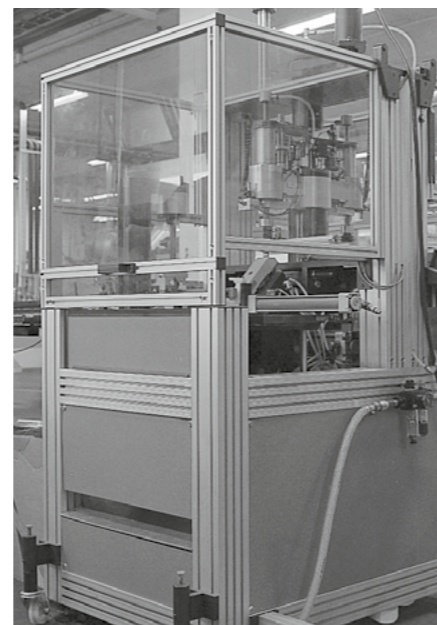
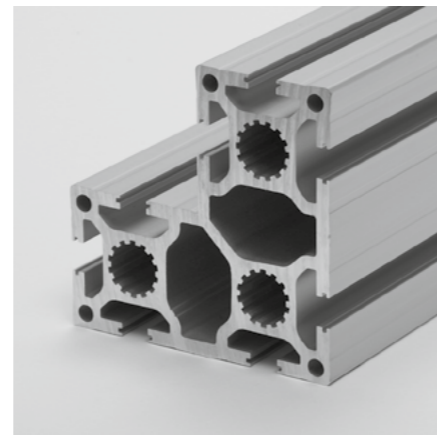
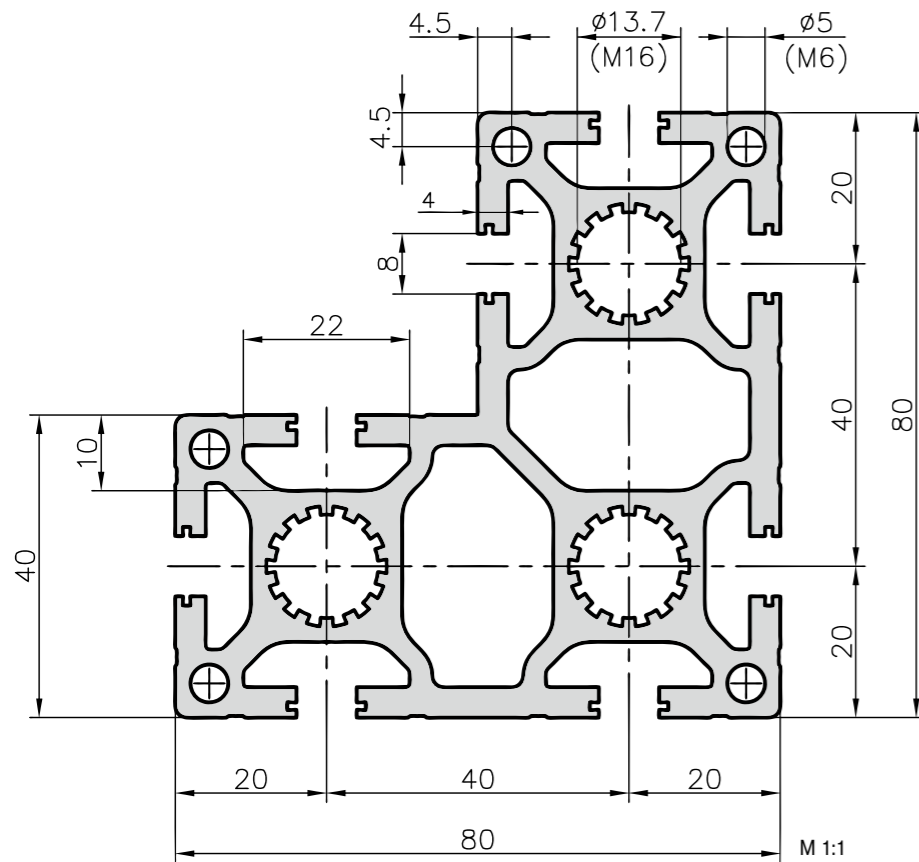
Technical data

I_x	=	602.20 cm ⁴
I_y	=	45.00 cm ⁴
W_x	=	74.09 cm ³
W_y	=	22.18 cm ³
Cross-section area	=	25.83 cm ²
Weight	=	7.0 kg/m
Alloy	=	EN AW-6063

Order data **Order number**

40x160 bearing extrusion	
Standard length 5000 mm	C02-9-5M
Standard length 6000 mm	C02-9-6M
40x160 bearing extrusion	
Cut to length	C02-9-02-02/...
Extra machining	Pages 43-47

80x80x40 L-shaped extrusion type C01-6



Technical data

$I_{x,y}$	=	108.05 cm ⁴
$W_{x,y}$	=	23.56 cm ³
Cross-section area	=	19.59 cm ²
Weight	=	5.0 kg/m
Alloy	=	EN AW-6063

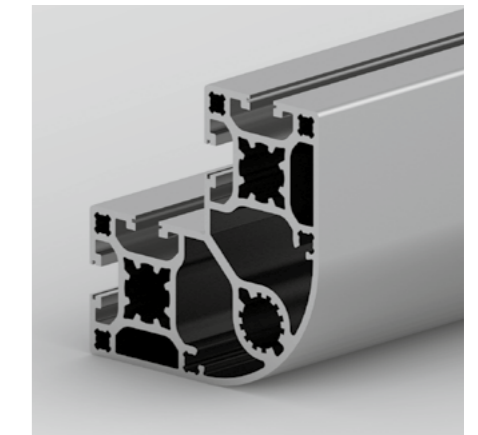
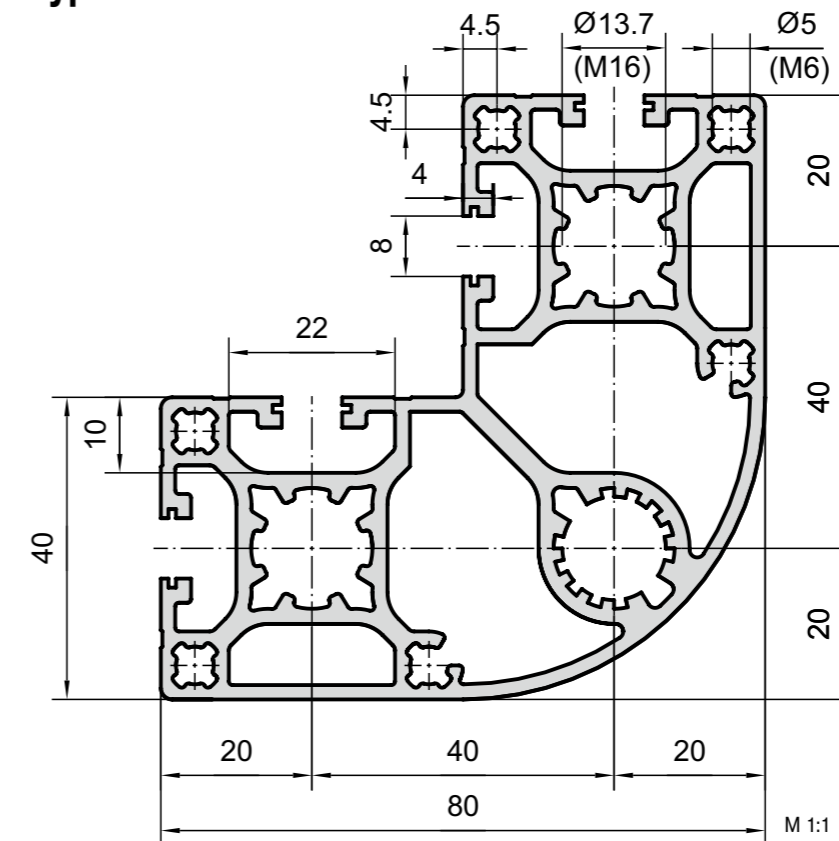
Application

For machine and apparatus frames which have to hold heavy weights and which require strong corner components. They will also be compact and inexpensive.

Order data

Order data	Order number
80x80x40 L-shaped extrusion	
Standard length 5000 mm	C01-6-5M
80x80x40 L-shaped extrusion	
Cut to length	C01-6-02-02/...
Extra machining	Pages 43-47

Corner extrusion 80x80x40 round Type C03-6



Technical data

$I_{x,y}$	=	76.40 cm ⁴
$W_{x,y}$	=	19.10 cm ³
Cross-section area	=	13.33 cm ²
Weight	=	3.60 kg/m
Alloy	=	EN AW-6060

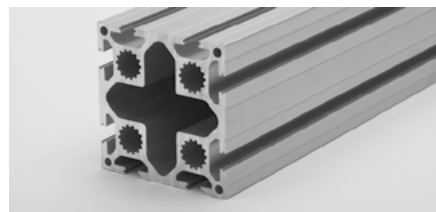
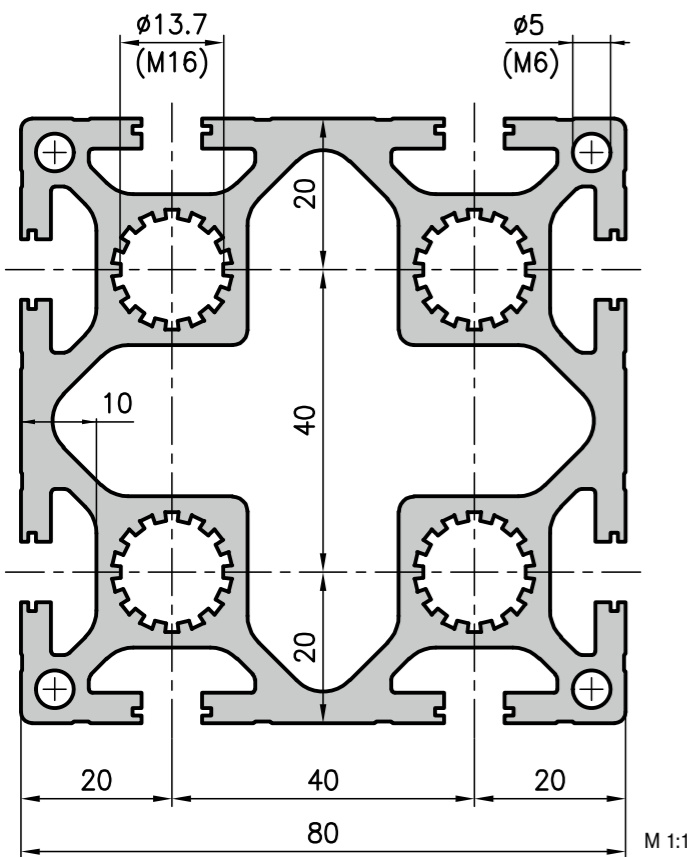
Application

Rounded-off corners result in a soft design. Through the completely closed side, the overall look of a construction becomes more settled. Firmness and flexibility are very high.

Order data

Order data	Order number
Corner extrusion 80x80x40 round	
Standard length 5000 mm	C03-6-5M
Corner extrusion 80x80x40 round	
Cut to length	C03-6-02-02/...
Extra machining	Pages 43-47

80x80 base extrusion type C01-4



Application

This is mainly used as a support, although it can also be used as a cross-beam where higher loads are involved. Especially C01-4 is, of course, also ideal as a reservoir for liquids or gases. The large cavity can also be used effectively for holding load balancing weights. This extrusion is perfect for innovative designers.

Technical data

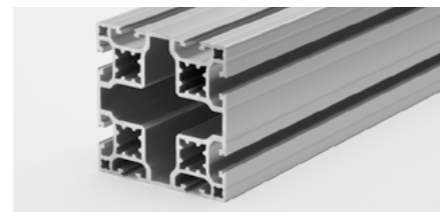
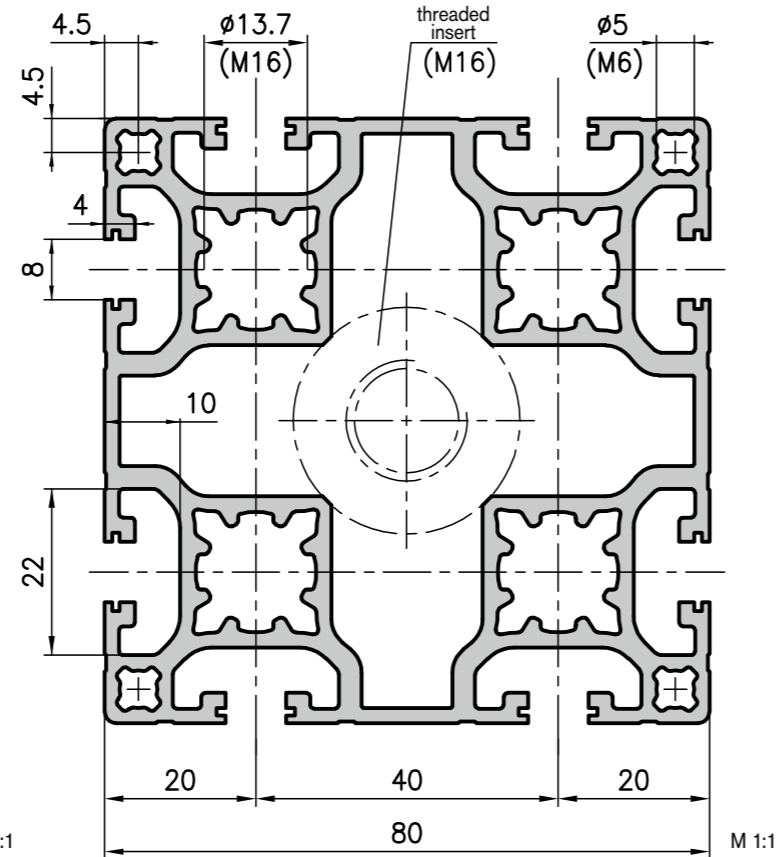
$I_{x,y}$	=	154.70 cm ⁴
$W_{x,y}$	=	38.68 cm ³
Cross-section area	=	22.10 cm ²
Weight	=	6.0 kg/m
Alloy	=	EN AW-6063

Order data Order number

80x80 base extrusion	
Standard length 5000 mm	C01-4-5M
Standard length 6000 mm	C01-4-6M
80x80 base extrusion	
Cut to length	C01-4-02-02/...
Extra machining	Pages 43-47



80x80 lightweight extrusion type C03-4



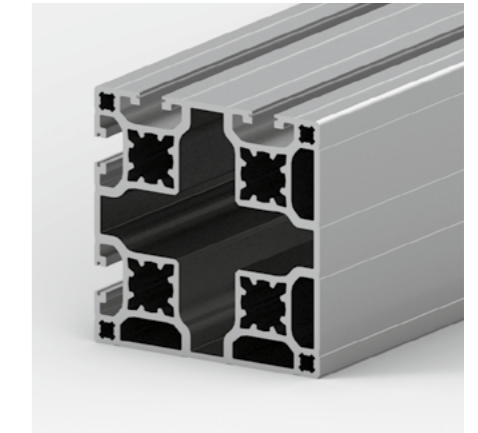
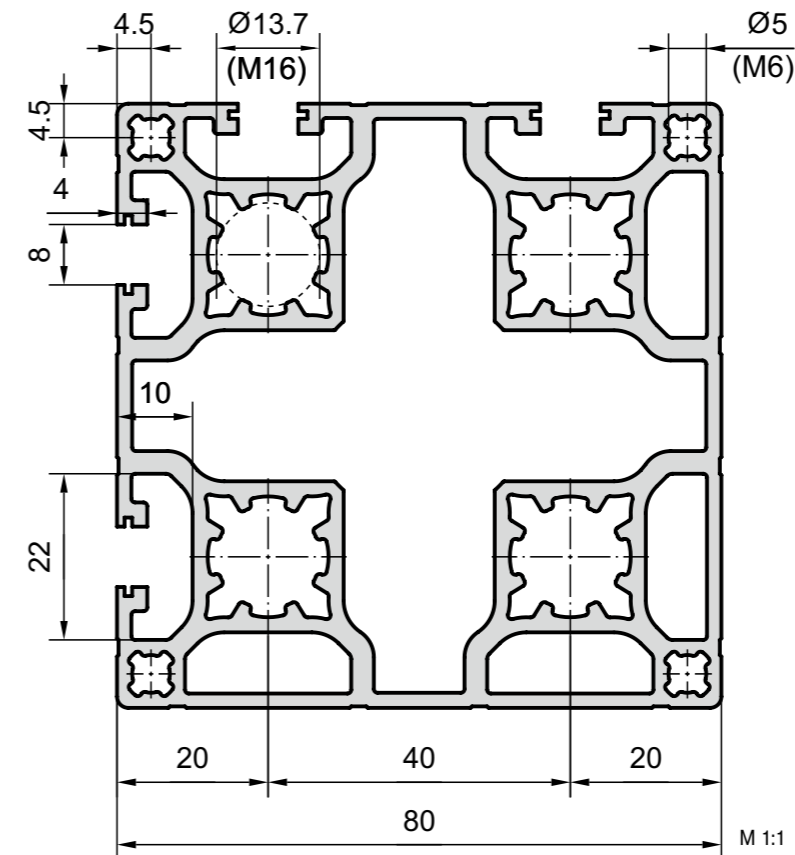
Technical data

$I_{x,y}$	=	115.66 cm ⁴
$W_{x,y}$	=	28.92 cm ³
Cross-section area	=	16.30 cm ²
Weight	=	4.4 kg/m
Alloy	=	EN AW-6063

Order data Order number

Lightweight extrusion 80x80	
Standard length 5000 mm	C03-4-5M
Standard length 6000 mm	C03-4-6M
Lightweight extrusion 80x80	
Cut to length	C03-4-02-02/...
Extra machining	Pages 43-47

Corner extrusion 80x80 Type C03-7



Technical data

$I_{x,y}$	=	117.70 cm ⁴
$W_{x,y}$	=	29.43 cm ³
Cross-section area	=	16.45 cm ²
Weight	=	4.50 kg/m
Alloy	=	EN AW-6063

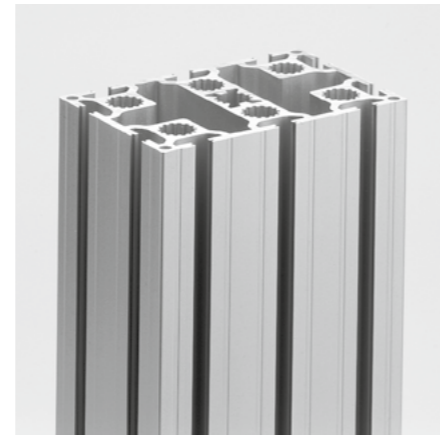
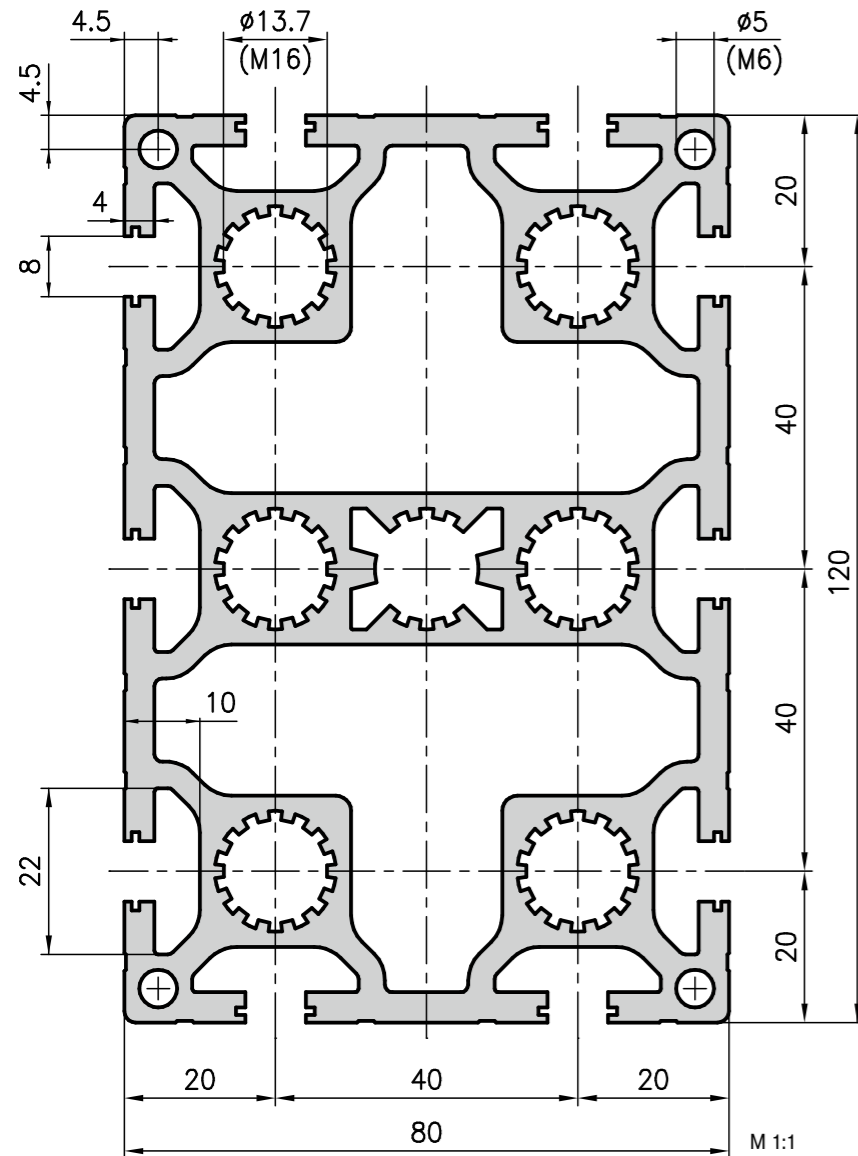
Order data Order number

Corner extrusion 80x80	
Standard length 5000 mm	C03-7-5M
Corner extrusion 80x80	
Cut to length	C03-7-02-02/...
Extra machining	Pages 43-47

Application

The corner extrusion 80x80 in lightweight design can also be ideally used as a corner pillar. Its dimension results in a great firmness; the closed fronts are convincing in their design and prevent the depositing of dirt. The profile has very versatile use.

**Beam extrusion
80x120 type MC1-2**



Application

A universally useful extrusion with optimum static strength for large gantries and constructions under heavy load.

Technical data

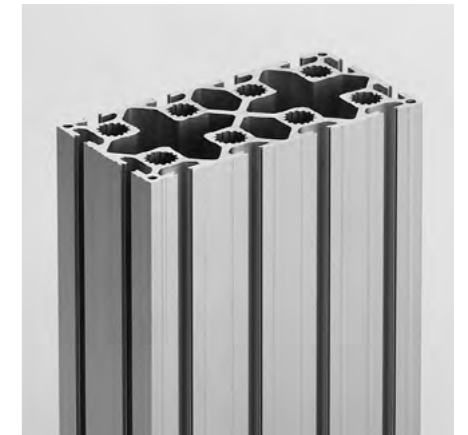
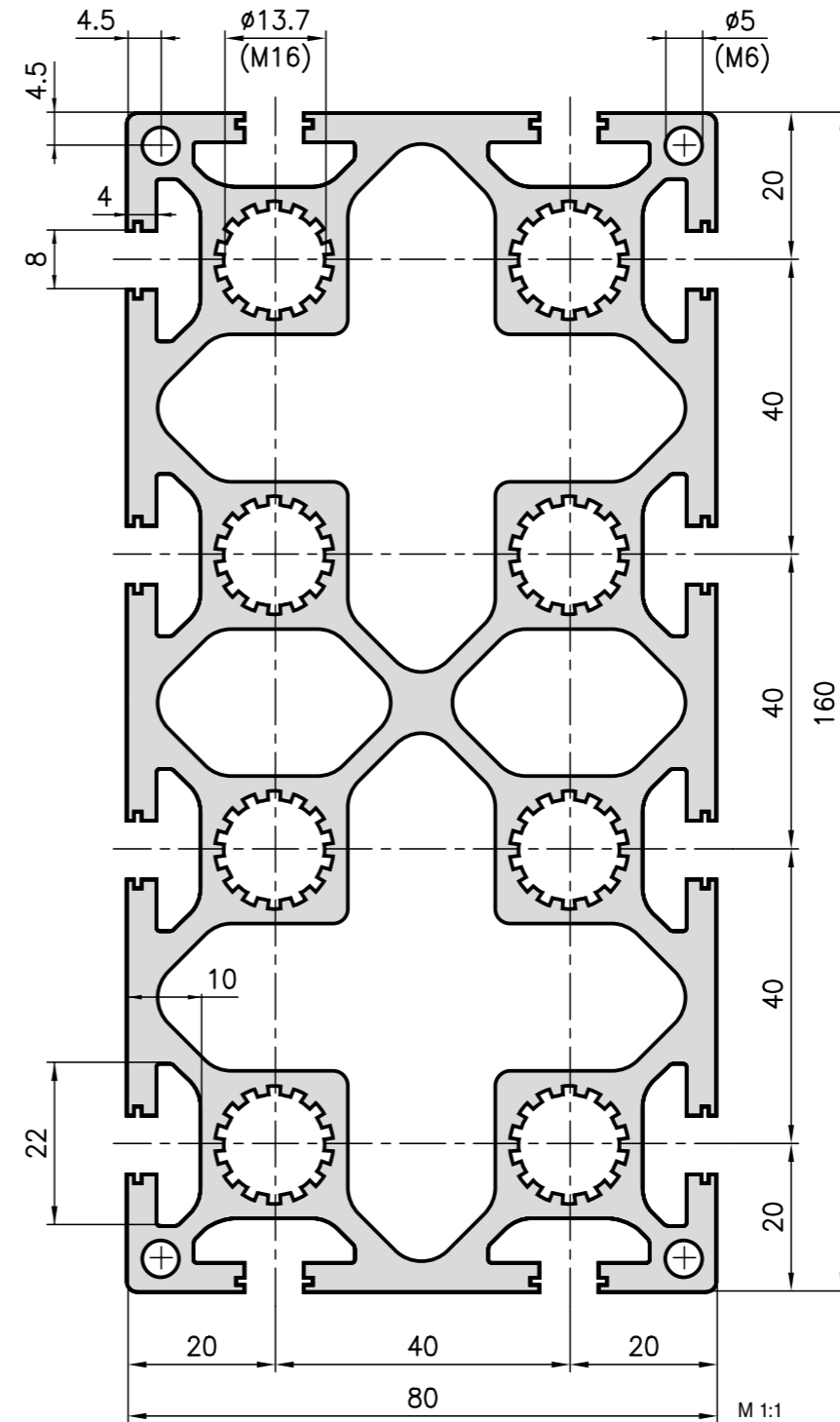
I_x	=	451.20 cm ⁴
I_y	=	219.76 cm ⁴
W_x	=	75.20 cm ³
W_y	=	54.94 cm ³
Cross-section area	=	31.07 cm ²
Weight	=	8.40 kg/m
Alloy	=	EN AW-6063

Order data Order number

Beam extrusion 80x120	
Standard length 6000 mm	MC1-2-6M
Beam extrusion 80x120	
Cut to length	MC1-2-02-02/...

Extra machining [Pages 43-47](#)

**80x160 heavy duty
extrusion type MC1-9**



Application

This high strength extrusion is used for the construction of gantries and for structures which have to support a heavy load or which have long unsupported sections.

Technical data

I_x	=	1018.98 cm ⁴
I_y	=	296.53 cm ⁴
W_x	=	112.37 cm ³
W_y	=	74.13 cm ³
Cross-section area	=	40.82 cm ²
Weight	=	11.0 kg/m
Alloy	=	EN AW-6063

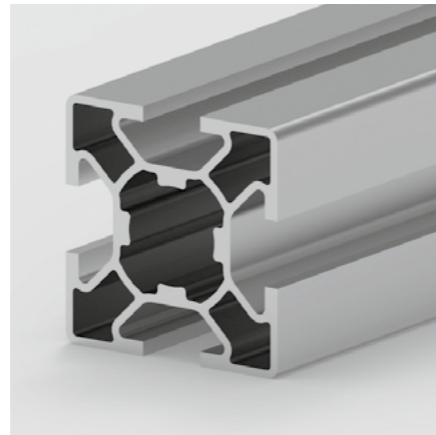
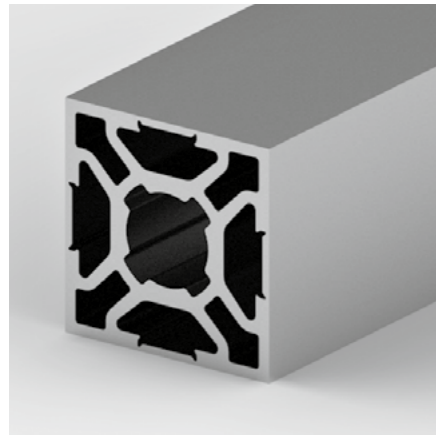
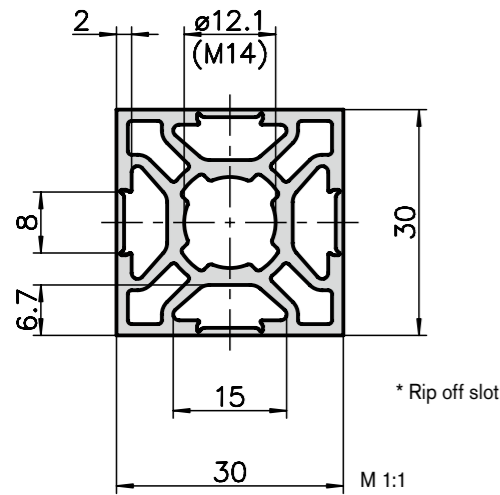
Order data Order number

80x160 heavy duty extrusion	
Standard length 5000 mm	MC1-9-5M
Standard length 6000 mm	MC1-9-5M

80x160 heavy duty extrusion	
Cut to length	MC1-9-02-02/...

Extra machining [Pages 43-47](#)

Four sided softline extrusion 30x30 type B10-0



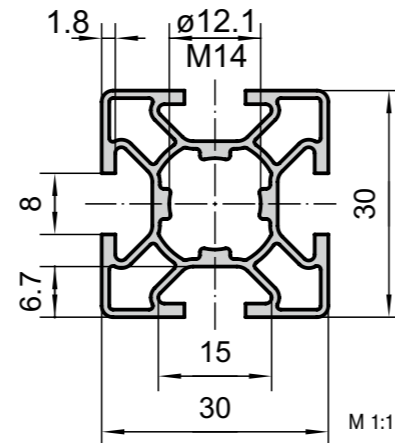
Technical data

$I_{x,y}$	=	3.30 cm ⁴
$W_{x,y}$	=	2.20 cm ³
Cross-section area	=	3.57 cm ²
Weight	=	0.96 kg/m
Alloy	=	EN AW-6060

Order data Order number

Four sided softline extrusion 30x30	
Standard length 5000 mm	B10-0-5M
Four sided softline extrusion 30x30	
Cut to length	B10-0-02-02/...
Extra machining	Pages 43-47

Super lightweight extrusion 30x30 type B03-1



Application

These extrusions, which are lightweight and inexpensive, are nonetheless very sturdy and can be universally used for simpler structural designs. Outer casings, safety guards, laboratory rigs and smaller frameworks are all easy to construct using them.

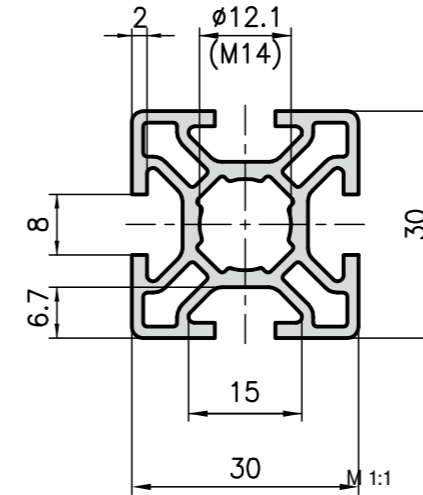
Technical data

$I_{x,y}$	=	2.63 cm ⁴
$W_{x,y}$	=	1.76 cm ³
Cross-section area	=	2.62 cm ²
Weight	=	0.7 kg/m
Alloy	=	EN AW-6060

Order data Order number

Super lightweight extrusion 30x30	
Standard length 5000 mm	B03-1-5M
Super lightweight extrusion 30x30	
Cut to length	B03-1-02-02/...
Extra machining	Pages 43-47

Lightweight extrusion 30x30 type B02-1



Application

With slots on all sides, this universally used lightweight extrusion is optimally constructed with regard to weight and strength. For lightweight enclosures and other small constructions, this is an inexpensive and sturdy extrusion.

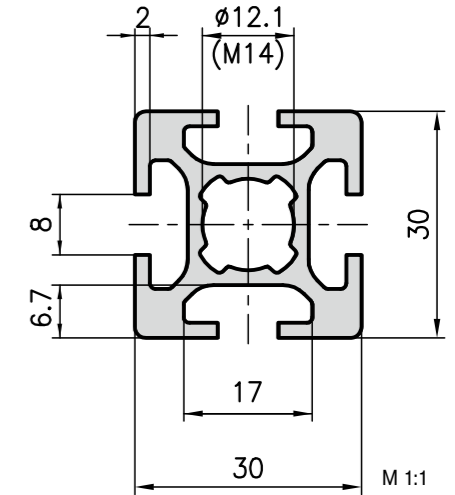
Technical data

$I_{x,y}$	=	2.95 cm ⁴
$W_{x,y}$	=	1.97 cm ³
Cross-section area	=	3.27 cm ²
Weight	=	0.9 kg/m
Alloy	=	EN AW-6063

Order data Order number

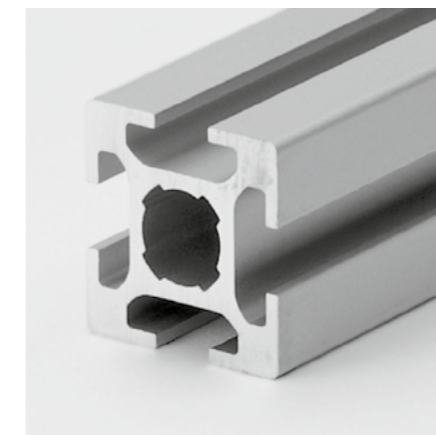
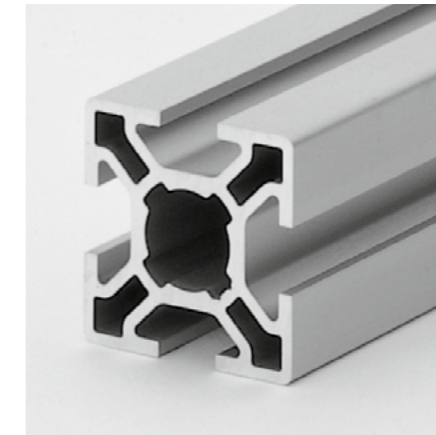
Lightweight extrusion 30x30	
Standard length 5000 mm	B02-1-5M
Lightweight extrusion 30x30	
Cut to length	B02-1-02-02/...
Extra machining	Pages 43-47

Heavy duty extrusion 30x30 type MB1-1



Application

The counterpart to the lightweight extrusion. It gives the designer plenty of scope for designing: trolleys, machine frames, load-bearing structures, etc.



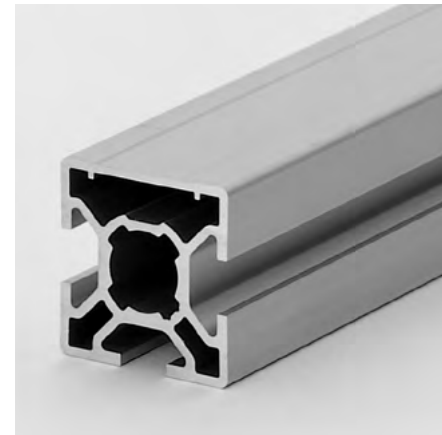
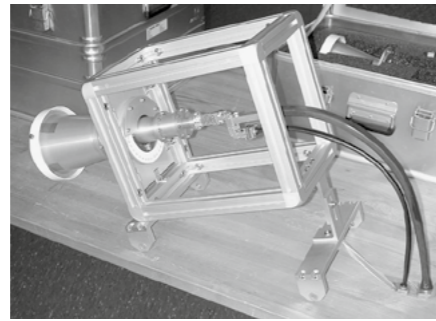
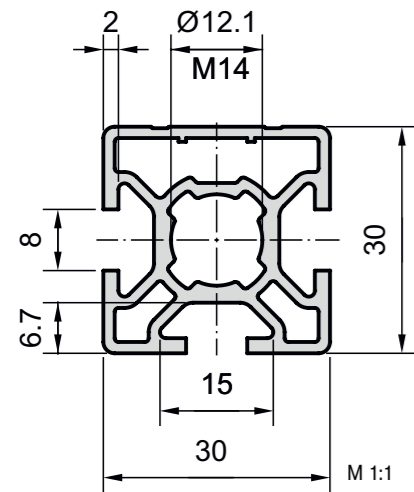
Technical data

$I_{x,y}$	=	3.82 cm ⁴
$W_{x,y}$	=	2.54 cm ³
Cross-section area	=	4.10 cm ²
Weight	=	1.1 kg/m
Alloy	=	EN AW-6063

Order data Order number

Heavy duty extrusion 30x30	
Standard length 5000 mm	MB1-1-5M
Heavy duty extrusion 30x30	
Cut to length	MB1-1-02-02/...
Extra machining	Pages 43-47

30x30 face extrusion type B03-2



Application

For lightweight machine frames, protective guards, safety fencing, etc. Metal paneling sheets, as well as composite panels, acrylic glass panels and all-plastic panels up to 4 mm in thickness can be fixed in place into the panel slots on the face extrusions.



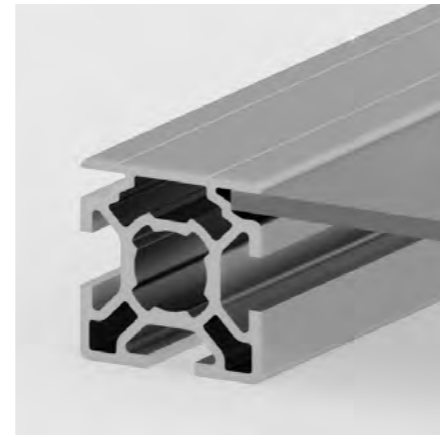
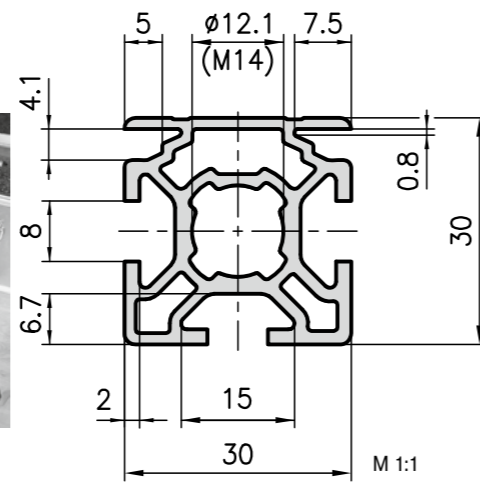
Technical data

I_x	=	2.85 cm ⁴
I_y	=	2.83 cm ⁴
W_x	=	1.90 cm ³
W_y	=	1.83 cm ³
Cross-section area	=	3.10 cm ²
Weight	=	0.8 kg/m
Alloy	=	EN AW-6063

Order data Order number

30x30 face extrusion	
Standard length 5000 mm	B03-2-5M
30x30 face extrusion	
Cut to length	B03-2-02-02/...
Extra machining	Pages 43-47

30x30 face extrusion with panel slots type B02-2



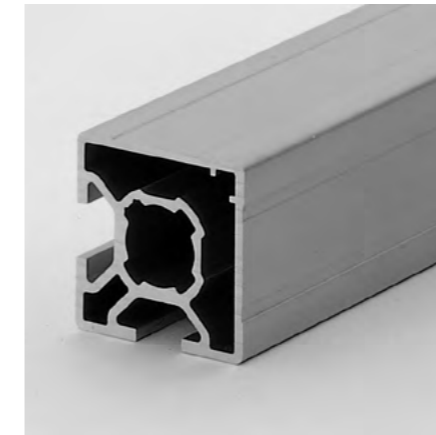
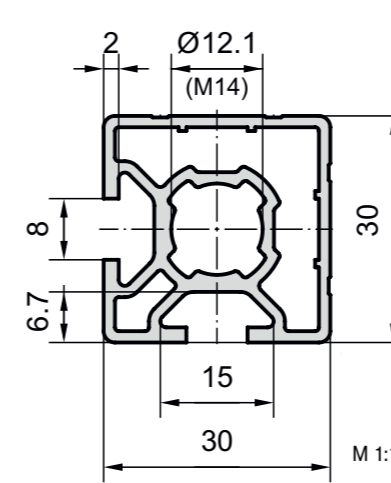
Technical data

I_x	=	2.93 cm ⁴
I_y	=	2.76 cm ⁴
W_x	=	1.93 cm ³
W_y	=	1.84 cm ³
Cross-section area	=	3.18 cm ²
Weight	=	0.9 kg/m
Alloy	=	EN AW-6063

Order data Order number

30x30 face enclosure extrusion	
Standard length 5000 mm	B02-2-5M
30x30 face enclosure extrusion	
Cut to length	B02-2-02-02/...
Extra machining	Pages 43-47

30x30 corner extrusion type B02-3



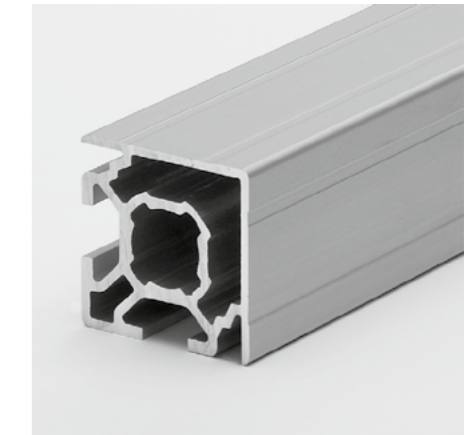
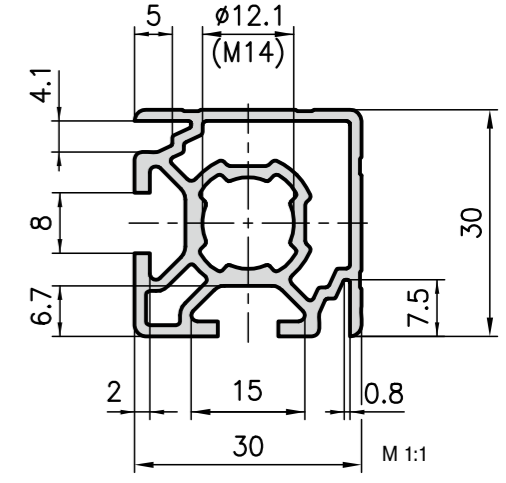
Technical data

$I_{x,y}$	=	2.70 cm ⁴
$W_{x,y}$	=	1.75 cm ³
Cross-section area	=	2.95 cm ²
Weight	=	0.8 kg/m
Alloy	=	EN AW-6063

Order data Order number

30x30 corner extrusion	
Standard length 5000 mm	B02-3-5M
30x30 corner extrusion	
Cut to length	B02-3-02-02/...
Extra machining	Pages 43-47

30x30 corner extrusion with panel slots type B01-3



Application

Workstation design, enclosures, apparatus trolleys and more lightweight structures. This corner profile looks extremely compact because it is closed on two sides and is the natural choice in any application where only two slots are required for joining components together. Metal and/or composite panels are easy to fit as enclosure elements thanks to the additional panel slots.

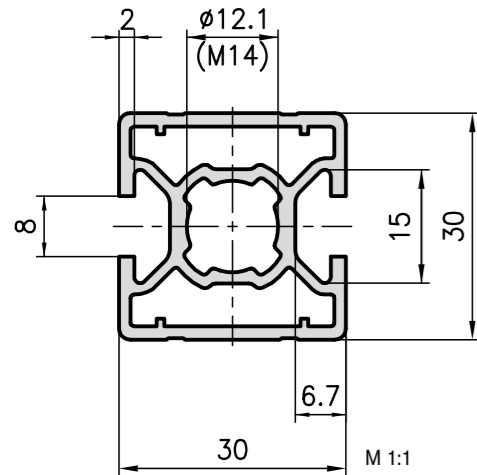
Technical data

$I_{x,y}$	=	2.70 cm ⁴
$W_{x,y}$	=	1.75 cm ³
Cross-section area	=	2.98 cm ²
Weight	=	0.8 kg/m
Alloy	=	EN AW-6063

Order data Order number

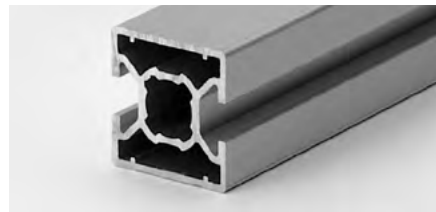
30x30 corner enclosure extrusion	
Standard length 5000 mm	B01-3-5M
30x30 corner enclosure extrusion	
Cut to length	B01-3-02-02/...
Extra machining	Pages 43-47

30x30 double face extrusion type B02-4



Application

For all types of enclosure, as well as for structures with extrusion faces which are mainly closed and for applications with an attractive design.



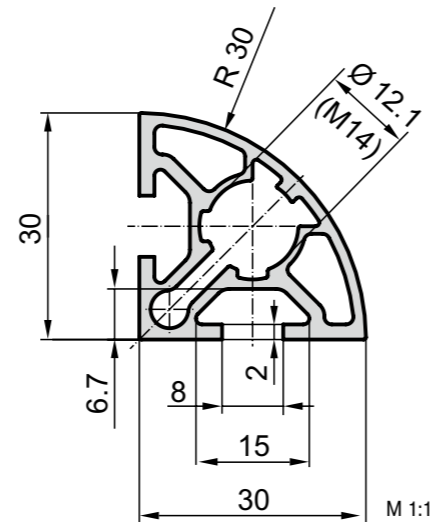
Technical data

I_x	=	2.73 cm ⁴
I_y	=	2.74 cm ⁴
W_x	=	1.82 cm ³
W_y	=	1.83 cm ³
Cross-section area	=	2.91 cm ²
Weight	=	0.8 kg/m
Alloy	=	EN AW-6063

Order data Order number

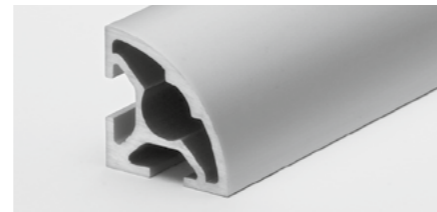
30x30 double face extrusion	
Standard length 5000 mm	B02-4-5M
30x30 double face extrusion	
Cut to length	B02-4-02-02/...
Extra machining	Pages 43-47

30x30 softline extrusion type B01-8



Application

This extrusion is used to build furniture, display cases and other objects without obtrusive sharp edges.



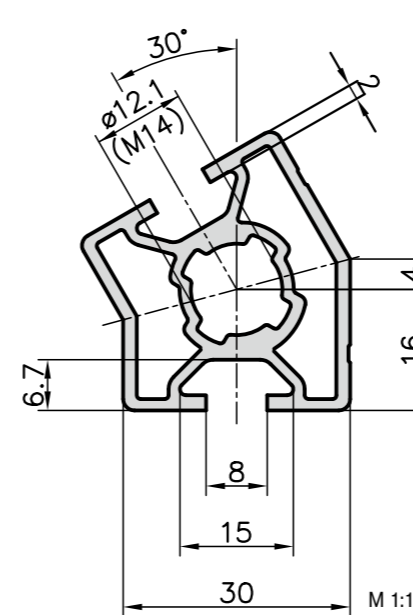
Technical data

$I_{x, y}$	=	2.16 cm ⁴
$W_{x, y}$	=	1.44 cm ³
Cross-section area	=	2.56 cm ²
Weight	=	0.7 kg/m
Alloy	=	EN AW-6060

Order data Order number

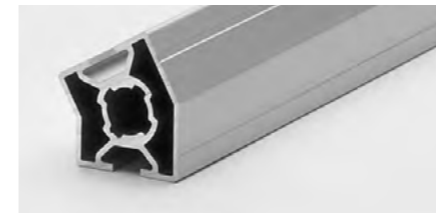
30x30 softline extrusion	
Standard length 5000 mm	B01-8-5M
30x30 softline extrusion	
Cut to length	B01-8-02-02/...
Extra machining	Pages 43-47

30° angle extrusion type B04-3



Application

For stands, tables, safety guards or display cabinets with sloping surfaces or for any angled construction. This group of extrusions ensures elegant shapes.

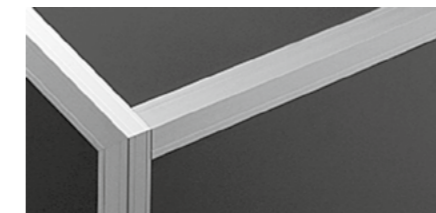
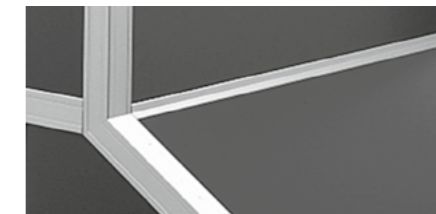


Technical data

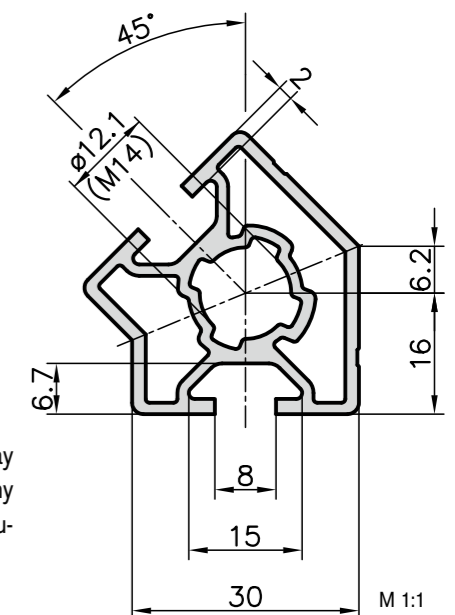
I_x	=	3.23 cm ⁴
I_y	=	2.89 cm ⁴
W_x	=	1.54 cm ³
W_y	=	1.48 cm ³
Cross-section area	=	3.13 cm ²
Weight	=	0.9 kg/m
Alloy	=	EN AW-6060

Order data Order number

30° angle extrusion	
Standard length 5000 mm	B04-3-5M
30° angle extrusion	
Cut to length	B04-3-02-02/...
Extra machining	Pages 43-47



45° angle extrusion type B04-4

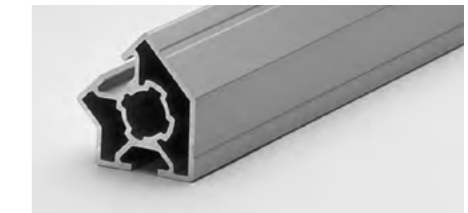


Technical data

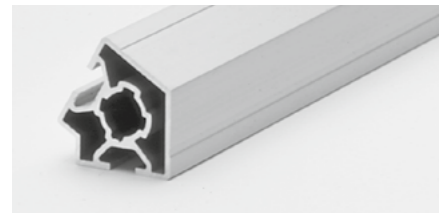
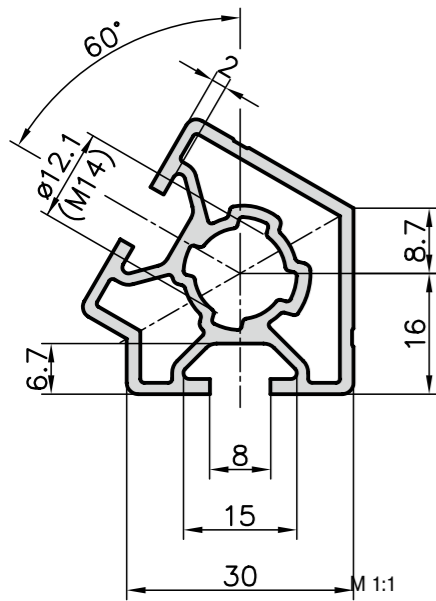
I_x	=	3.14 cm ⁴
I_y	=	2.91 cm ⁴
W_x	=	1.44 cm ³
W_y	=	1.45 cm ³
Cross-section area	=	3.13 cm ²
Weight	=	0.9 kg/m
Alloy	=	EN AW-6060

Order data Order number

45° angle extrusion	
Standard length 5000 mm	B04-4-5M
45° angle extrusion	
Cut to length	B04-4-02-02/...
Extra machining	Pages 43-47



60° angle extrusion type B04-6



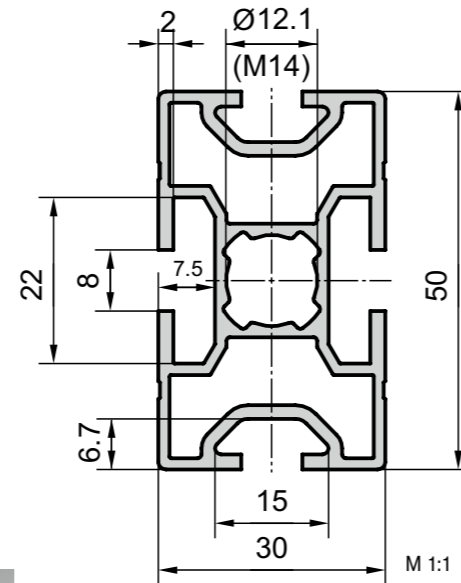
Technical data

I _x	=	3.07 cm ⁴
I _y	=	2.94 cm ⁴
W _x	=	1.45 cm ³
W _y	=	1.51 cm ³
Cross-section area	=	3.04 cm ²
Weight	=	0.9 kg/m
Alloy	=	EN AW-6060

Order data

Order data	Order number
60° angle extrusion	
Standard length 5000 mm	B04-6-5M
60° angle extrusion	
Cut to length	B04-6-02-02/...
Extra machining	Pages 43-47

Base extrusion 30x50 type B01-9



Application

Used for all types of structures, base frames, trolleys, conveyor belts, etc. Universally used, easy to use in conjunction with extrusions with bases of 30, 40, 45 or 50. This extrusion is sturdy and strong, despite using little aluminium.

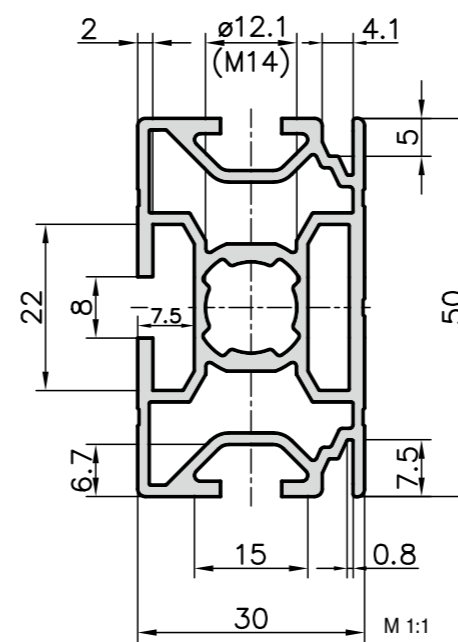
Technical data

I _x	=	10.94 cm ⁴
I _y	=	4.33 cm ⁴
W _x	=	4.38 cm ³
W _y	=	2.90 cm ³
Cross-section area	=	4.34 cm ²
Weight	=	1.2 kg/m
Alloy	=	EN AW-6063

Order data

Order data	Order number
Base extrusion 30x50	
Standard length 5000 mm	B01-9-5M
Base extrusion 30x50	
Cut to length	B01-9-02-02/...
Extra machining	Pages 43-47

30x50 face extrusion with panel slots type MB1-9



Application

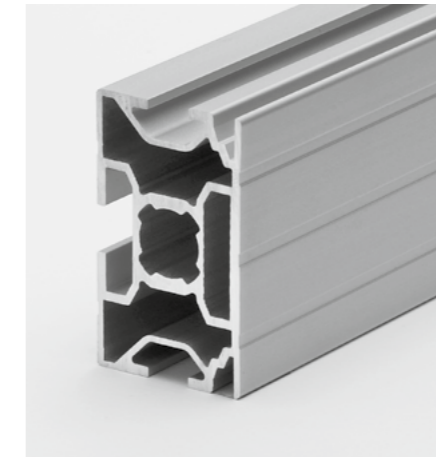
The narrow slots hold panels measuring up to 4 mm in thickness securely and firmly in place. Therefore, this extrusion is ideal in any application where covers and cladding of various types are being fitted.

Technical data

I _x	=	11.25 cm ⁴
I _y	=	4.84 cm ⁴
W _x	=	4.50 cm ³
W _y	=	3.23 cm ³
Cross-section area	=	5.00 cm ²
Weight	=	1.3 kg/m
Alloy	=	EN AW-6063

Order data

Order data	Order number
30x50 face extrusion with panel slots	
Standard length 5000 mm	MB1-9-5M
30x50 face extrusion with panel slots	
Cut to length	MB1-9-02-02/...



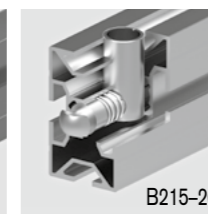
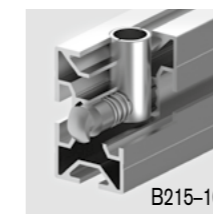
Application

Ideal for any application which requires an attractive design and structural stability. This is another versatile extrusion which can be used for tackling a wide range of different problems.

These extrusions need a special barrel if the connector is fitted on the short side (see image). The connectors with the long barrels have the following item numbers:

Order data

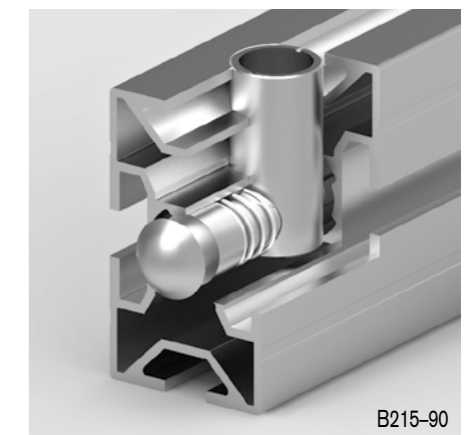
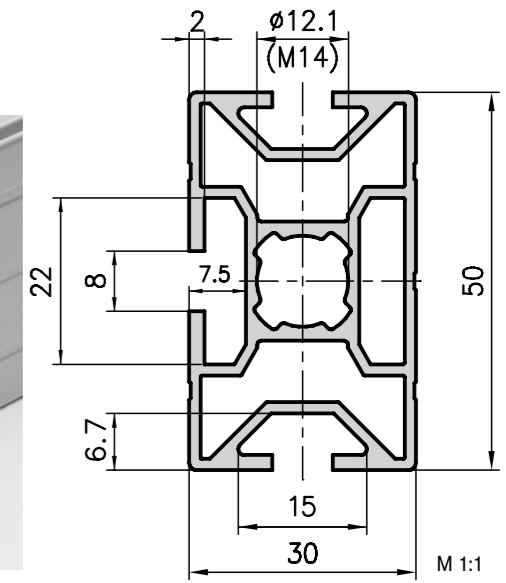
Round-headed connector	B215-90
Horizontal-headed connector	B215-10
Vertical-headed connector	B215-20



Extra machining

[Pages 43-47](#)

Face extrusion 30x50 type MB2-9



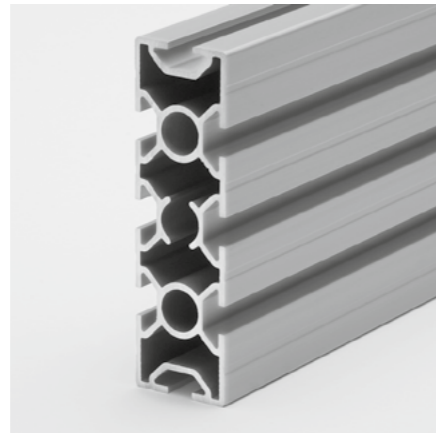
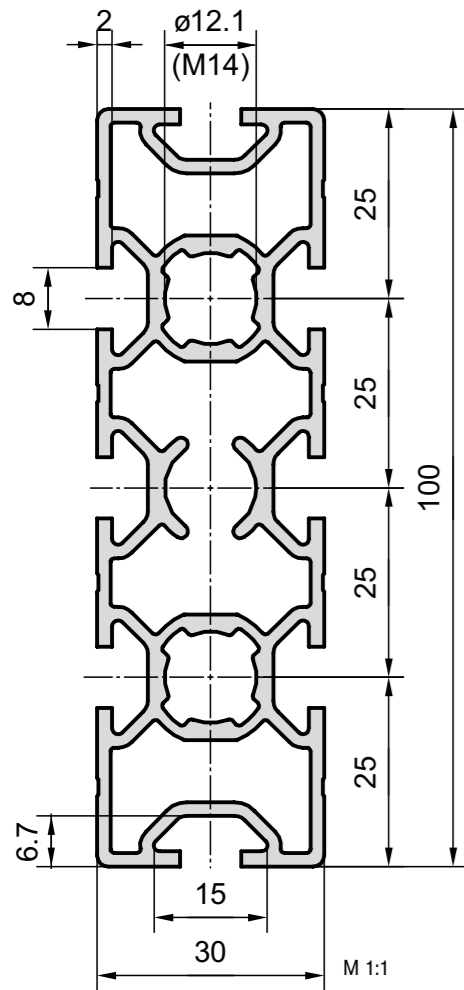
Technical data

I _x	=	11.30 cm ⁴
I _y	=	4.55 cm ⁴
W _x	=	4.52 cm ³
W _y	=	3.03 cm ³
Cross-section area	=	4.52 cm ²
Weight	=	1.3 kg/m
Alloy	=	EN AW-6063

Order data

Order data	Order number
Face extrusion 30x50	
Standard length 5000 mm	MB2-9-5M
Face extrusion 30x50	
Cut to length	MB2-9-02-02/...

30x100 base extrusion type MB1-2



Application

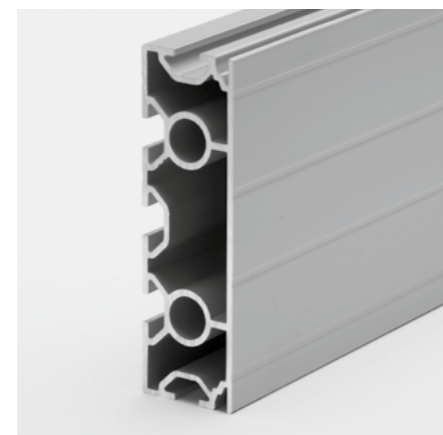
For cross-beams on base frames, conveyor belts, trolleys or for large areas of panelling. This versatile extrusion can also be used in combination with extrusions with a base of 40 or 50 mm. A lightweight, sturdy extrusion which can be connected in many different configuration.

Technical data

I _x	=	80.77 cm ⁴
I _y	=	8.95 cm ⁴
W _x	=	16.15 cm ³
W _y	=	5.97 cm ³
Cross-section area	=	8.59 cm ²
Weight	=	2.3 kg/m
Alloy	=	EN AW-6060

Order data

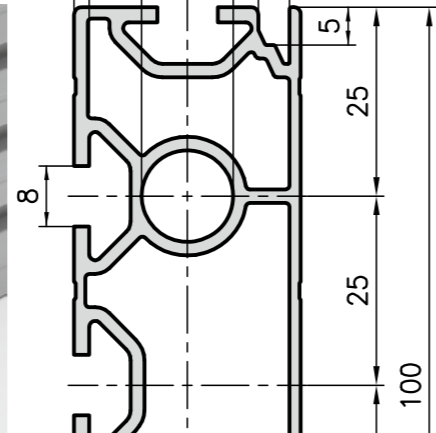
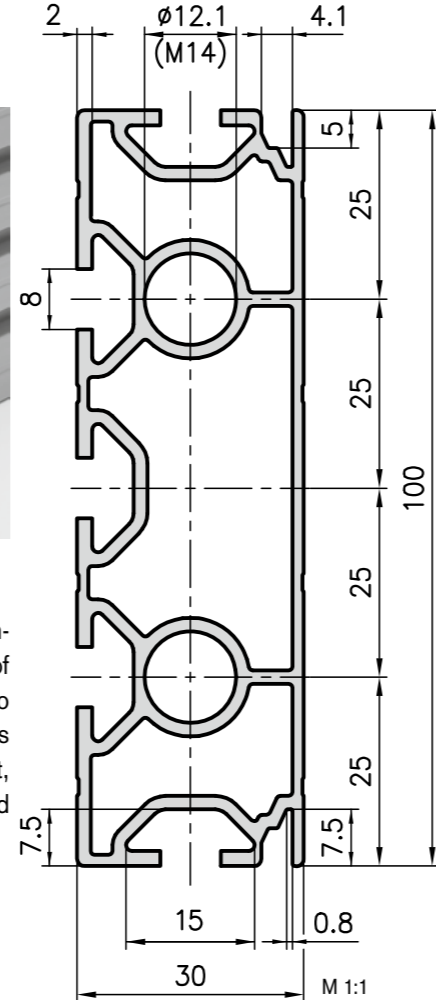
Order data	Order number
30x100 base extrusion	
Standard length 5000 mm	MB1-2-5M
30x100 base extrusion	
Cut to length	MB1-2-02-02/...



Extra machining

[Pages 43-47](#)

30x100 face extrusion with panel slots type B01-2



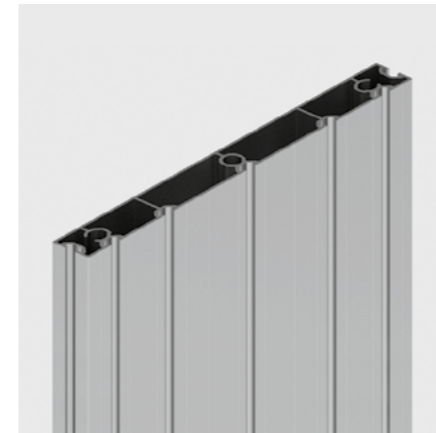
Technical data

I _x	=	77.86 cm ⁴
I _y	=	8.79 cm ⁴
W _x	=	15.57 cm ³
W _y	=	5.72 cm ³
Cross-section area	=	7.72 cm ²
Weight	=	2.1 kg/m
Alloy	=	EN AW-6060

Order data

Order data	Order number
30x100 face enclosure extrusion	
Standard length 5000 mm	B01-2-5M
30x100 face enclosure extrusion	
Cut to length	B01-2-02-02/...

30x300 face extrusion type B03-3



Application

Positioned on its edge, this extrusion can be used as a cross-beam to support heavy loads. However, it can also be used as a bed plate or as a superior panel.

Technical data

I _x	=	1755.64 cm ⁴
I _y	=	26.06 cm ⁴
W _x	=	117.04 cm ³
W _y	=	17.30 cm ³
Cross-section area	=	18.74 cm ²
Weight	=	5.10 kg/m
Alloy	=	EN AW-6063

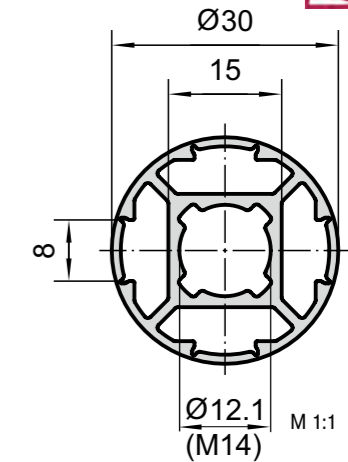
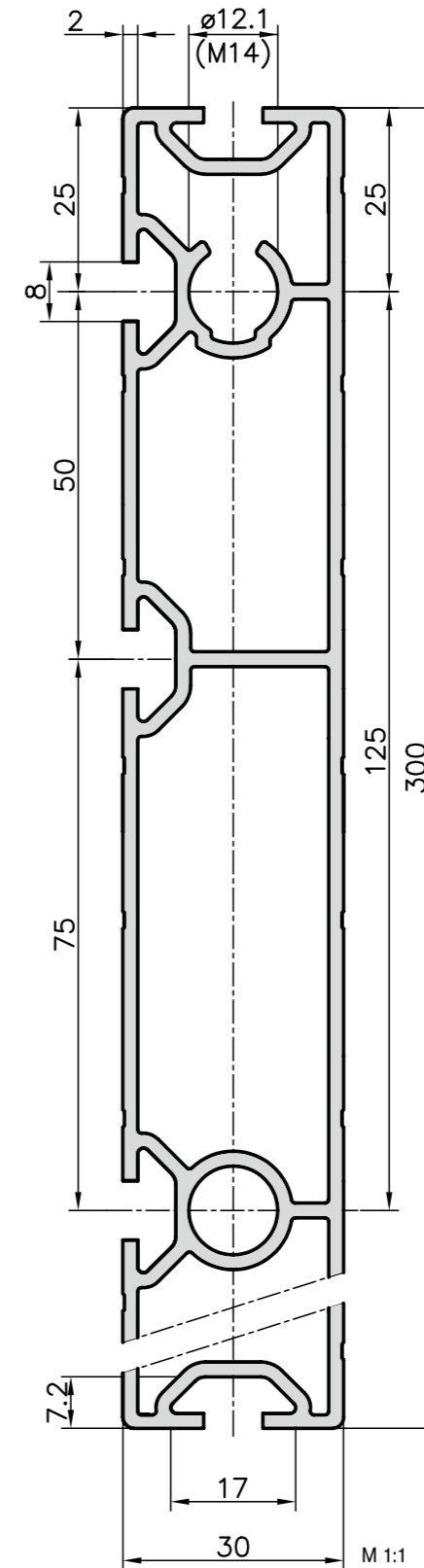
Order data

Order data	Order number
30x300 face extrusion	
Standard length 5000 mm	B03-3-5M
30x300 face extrusion	
Cut to length	B03-3-02-02/...

Extra machining

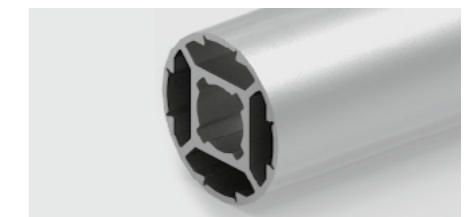
[Pages 43-47](#)

Tube extrusion ø30 type R03-98



Application

This round tube is very suitable for simple handrails and can be combined well with the rectangular tubes using the corresponding fixing elements.



Technical data

I _{x,y}	=	13.13 cm ⁴
W _{x,y}	=	8.75 cm ³
Cross-section area	=	2.35 cm ²
Weight	=	0.64 kg/m
Alloy	=	EN AW-6063

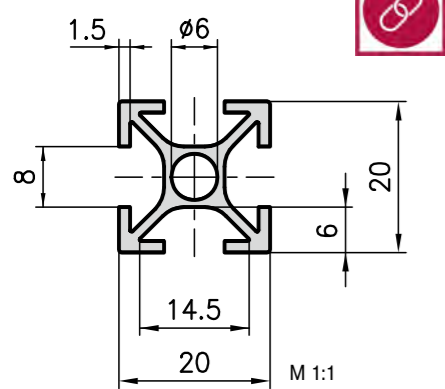
Order data

Order data	Order number
Tube extrusion ø30	
Standard length 6000 mm	R03-98-6M
Tube extrusion ø30	
Cut to length	R03-98-02-02/...

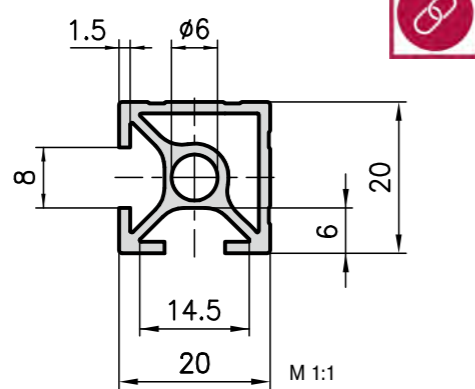
Extra machining

[Pages 43-47](#)

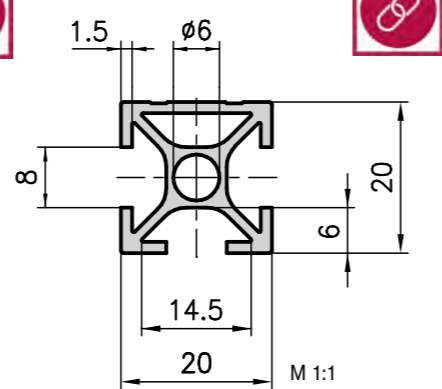
20x20 base extrusion type D01-5



20x20 corner extrusion type D01-3



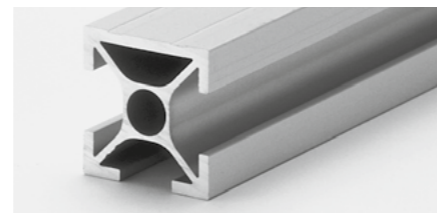
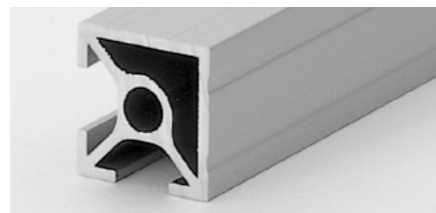
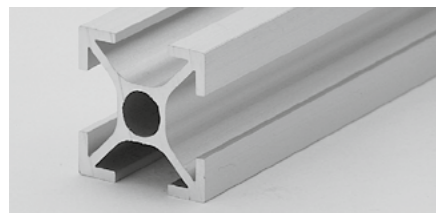
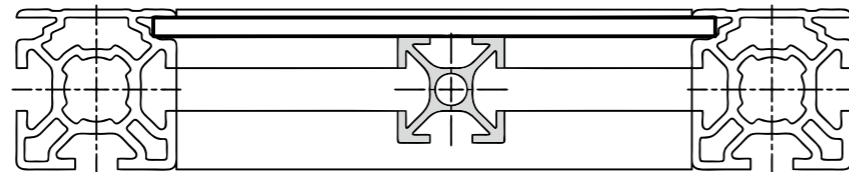
20x20 face extrusion type D01-8



Application
Due to their relatively low weight and strength this 20x20/40 range of extrusions can only be used for small loads, such as limit switches fixtures, smart work frames, small display cases, etc.

Helicoil inserts (DIN 8140) can be used for all extrusions with a core hole of Ø6. See machining code H3/H4.

The 20x20 and 20x40 extrusions are also suitable as a support or reinforcement extrusion behind panels, which is in combination with the base 30 extrusion with panel slots (see sketch).



Technical data

$I_{x,y}$	=	0.60 cm ⁴
$W_{x,y}$	=	0.60 cm ³
Cross-section area	=	1.40 cm ²
Weight	=	0.38 kg/m
Alloy	=	EN AW-6060

Technical data

$I_{x,y}$	=	0.65 cm ⁴
$W_{x,y}$	=	0.65 cm ³
Cross-section area	=	1.54 cm ²
Weight	=	0.42 kg/m
Alloy	=	EN AW-6063

Technical data

I_x	=	0.68 cm ⁴
I_y	=	0.59 cm ⁴
W_x	=	0.68 cm ³
W_y	=	0.59 cm ³
Cross-section area	=	1.46 cm ²
Weight	=	0.39 kg/m
Alloy	=	EN AW-6063

Order data

Order data	Order number
20x20 base extrusion Standard length 5000 mm	D01-5-5M
20x20 base extrusion Cut to length	D01-5-02-02/...
Extra machining	Pages 43-47

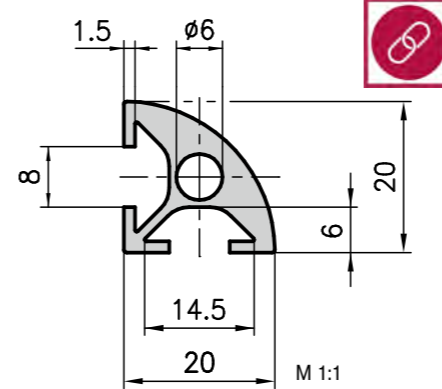
Order data

Order data	Order number
20x20 corner extrusion Standard length 5000 mm	D01-3-5M
20x20 corner extrusion Cut to length	D01-3-02-02/...
Extra machining	Pages 43-47

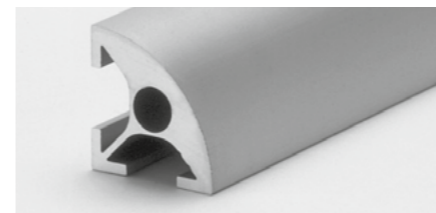
Order data

Order data	Order number
20x20 face extrusion Standard length 5000 mm	D01-8-5M
20x20 face extrusion Cut to length	D01-8-02-02/...
Extra machining	Pages 43-47

20x20 Softline extrusion type D03-8



Application
For small picture frames as well as for decorative application.



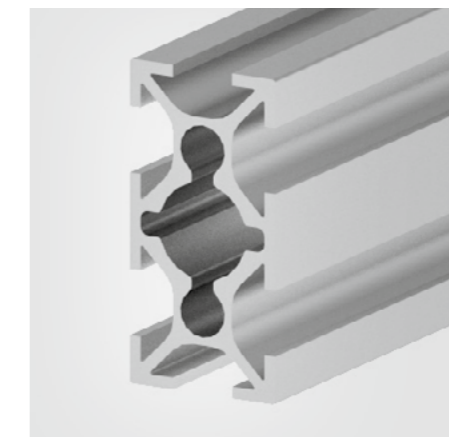
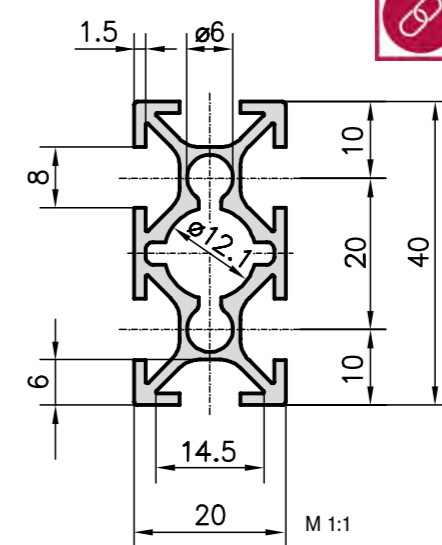
Technical data

$I_{x,y}$	=	0.47 cm ⁴
$W_{x,y}$	=	0.47 cm ³
Cross-section area	=	1.29 cm ²
Weight	=	0.35 kg/m
Alloy	=	EN AW-6060

Order data

Order data	Order number
20x20 Softline extrusion Standard length 5000 mm	D03-8-5M
20x20 Softline extrusion Cut to length	D03-8-02-02/...
Extra machining	Pages 43-47

20x40 base extrusion type D01-7



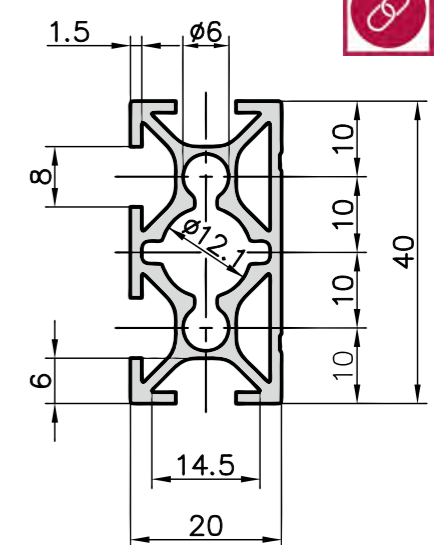
Technical data

I_x	=	3.91 cm ⁴
I_y	=	1.10 cm ⁴
W_x	=	1.95 cm ³
W_y	=	1.10 cm ³
Cross-section area	=	2.69 cm ²
Weight	=	0.73 kg/m
Alloy	=	EN AW-6060

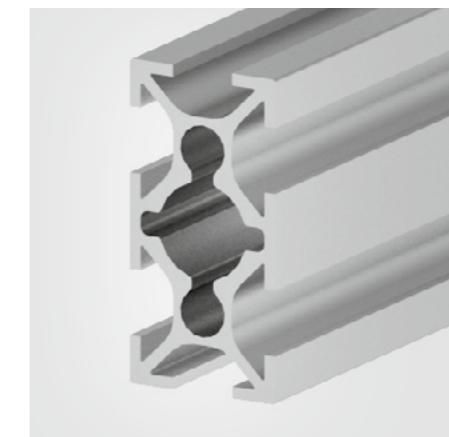
Order data

Order data	Order number
20x40 base extrusion Standard length 5000 mm	D01-7-5M
20x40 base extrusion Cut to length	D01-7-02-02/...
Extra machining	Pages 43-47

20x40 face extrusion type D02-8



Application
A multi purpose extrusion, which is easily compatible with the base 40. The center hole is Ø12.1 so that the bigger connectors can also be used, making application possibilities even more versatile.



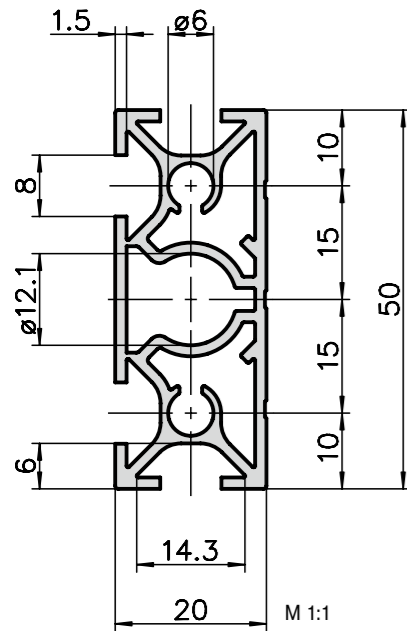
Technical data

I_x	=	4.15 cm ⁴
I_y	=	1.26 cm ⁴
W_x	=	2.07 cm ³
W_y	=	1.18 cm ³
Cross-section area	=	2.79 cm ²
Weight	=	0.75 kg/m
Alloy	=	EN AW-6060

Order data

Order data	Order number
20x40 face extrusion Standard length 5000 mm	D02-8-5M
20x40 face extrusion Cut to length	D02-8-02-02/...
Extra machining	Pages 43-47

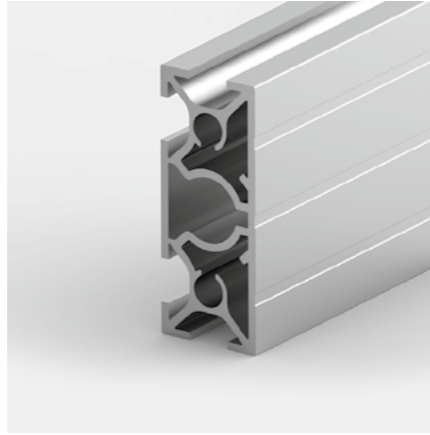
Face extrusion 20x50 type D02-5



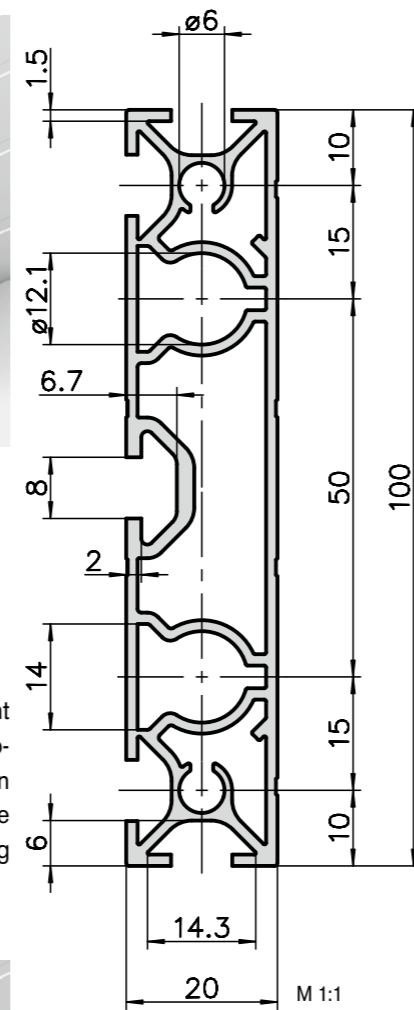
Application
 With this combination extrusion 20x50mm, the 20 series extrusion cross-sections can be easily connected to the 50 series ones. The large centre allows a connector of the 20 base with ø12.1 to be fitted

Technical data	
I _x	= 7.71 cm ⁴
I _y	= 1.58 cm ⁴
W _x	= 3.08 cm ³
W _y	= 1.58 cm ³
Cross-section area	= 3.25 cm ²
Weight	= 0.88 kg/m
Alloy	EN AW-6063

Order data	Order number
Face extrusion 20x50mm	
Standard length 5000 mm	D02-5-5M
Face extrusion 20x50mm	
Cut to length	D02-5-02-02/...
Extra machining	Pages 43-47



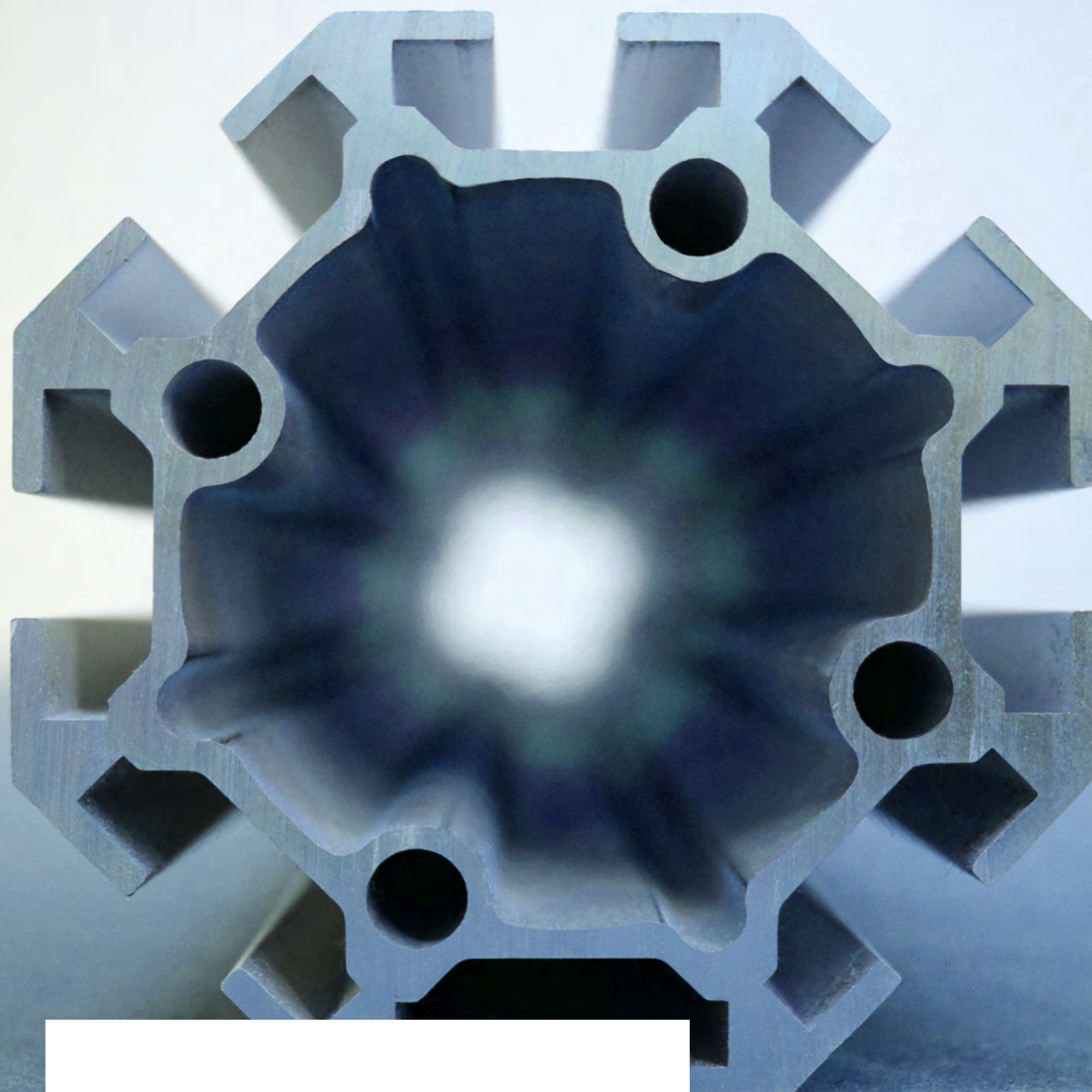
Face extrusion 20x100 type D02-1



Application
 This 20x100mm extrusion is lightweight and nevertheless very sturdy when positioned on its edge. Used in the construction of apparatus racks if closed faces are required. Can also be used as skirting boards along passages.

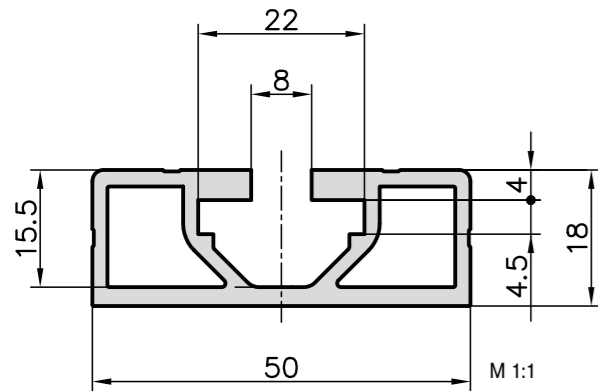
Technical data	
I _x	= 55.5 cm ⁴
I _y	= 3.01 cm ⁴
W _x	= 11.1 cm ³
W _y	= 3.01 cm ³
Cross-section area	= 5.7 mm ²
Weight	= 1.55 kg/m
Alloy	EN AW-6063

Order data	Order number
Face extrusion 20x100	
Standard length 5000 mm	D02-1-5M
Face extrusion 20x100	
Cut to length	D02-1-02-02/...
Extra machining	Pages 43-47



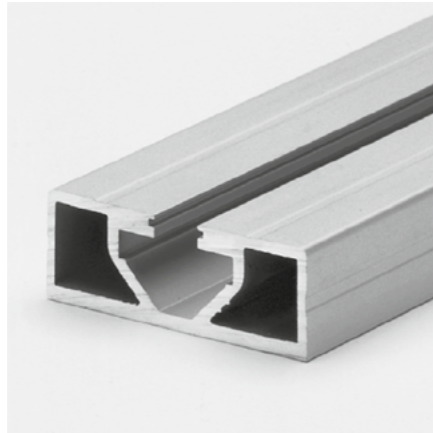
Special extrusions

Wall rail 18x50 type A19-9



Application

This is a very slim extrusion. When screwed to walls, it provides an easy method of fixing adjustable shelves.



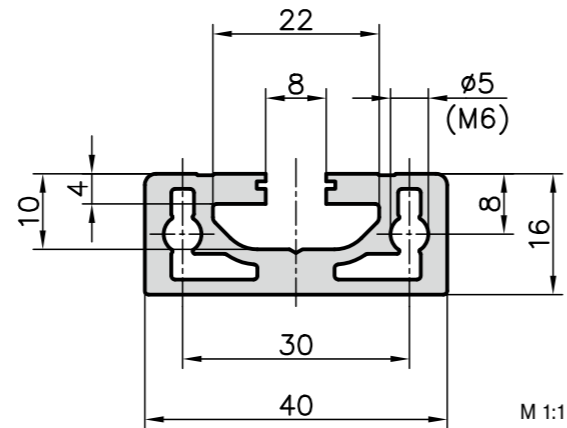
Technical data

Cross-section area	=	3.47 cm ²
Weight	=	0.9 kg/m
Alloy		EN AW-6063

Order data **Order number**

Wall rail 18x50	
Standard length 5000 mm	A19-9-5M
Wall rail 18x50	
Cut to length	A19-9-02-02/...

Slot extrusion 16x40 type C08-1



Application

A robust rail with the slot geometry of the 40 base. The slot base is solid in order to accommodate the thread holes. When fixed to walls with dowels, height adjustable shelves can be very easily attached to this extrusion rail.

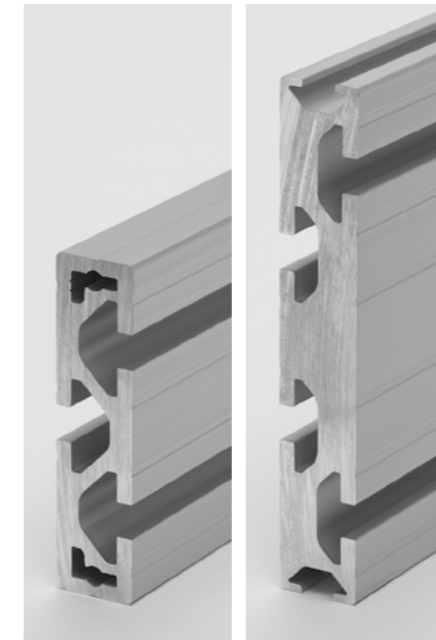
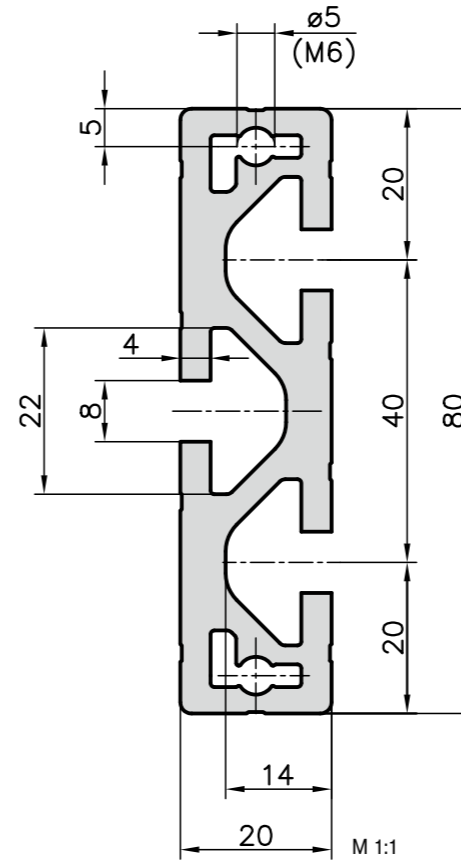
Technical data

Cross-section area	=	3.55 cm ²
Weight	=	1.0 kg/m
Alloy		EN AW-6063

Order data **Order number**

Slot extrusion 16x40	
Standard length 5000 mm	C08-1-5M
Slot extrusion 16x40	
Cut to length	C08-1-02-02/...

20x80 slot extrusion type C08-2



Application

These slot extrusions are very versatile and can be used as a floor or adapter-plate, for heavy duty guidance, distance-holder as well as for fixing plates, etc.

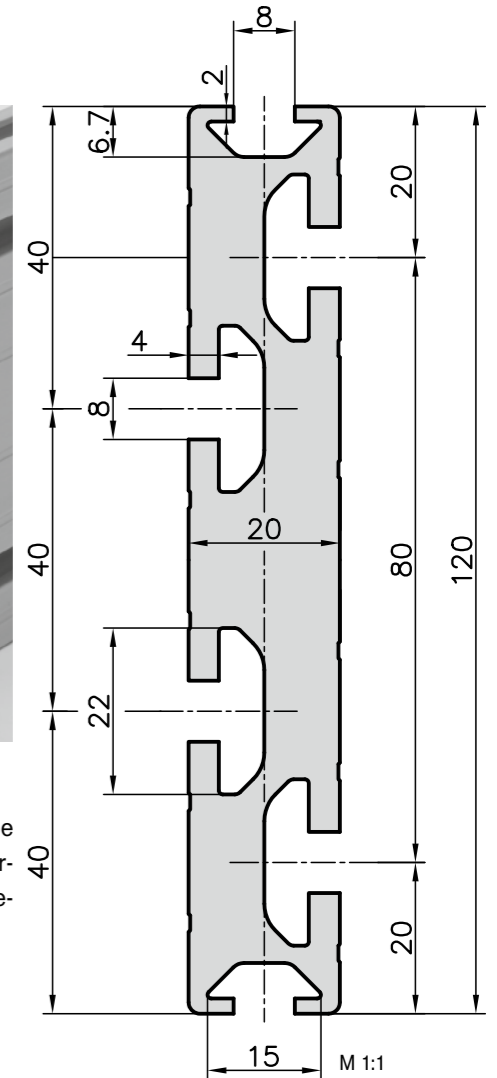
Technical data

I _x	=	54.49 cm ⁴
I _y	=	3.97 cm ⁴
W _x	=	13.62 cm ³
W _y	=	3.97 cm ³
Cross-section area	=	8.90 cm ²
Weight	=	2.4 kg/m
Alloy		EN AW-6063

Order data **Order number**

20x80 slot extrusion	
Standard length 5000 mm	C08-2-5M
20x80 slot extrusion	
Cut to length	C08-2-02-02/...

20x120 slot extrusion type C08-3



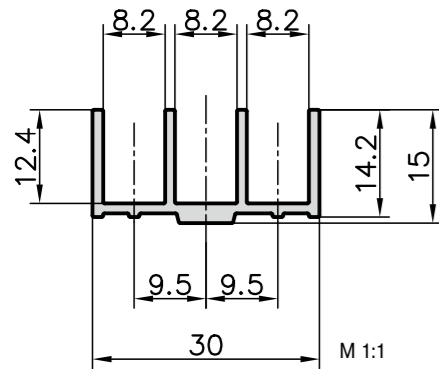
Technical data

I _x	=	177.95 cm ⁴
I _y	=	6.31 cm ⁴
W _x	=	29.66 cm ³
W _y	=	6.31 cm ³
Cross-section area	=	16.40 cm ²
Weight	=	4.42 kg/m
Alloy		EN AW-6063

Order data **Order number**

20x120 slot extrusion	
Standard length 5000 mm	C08-3-5M
20x120 slot extrusion	
Cut to length	C08-3-02-02/...

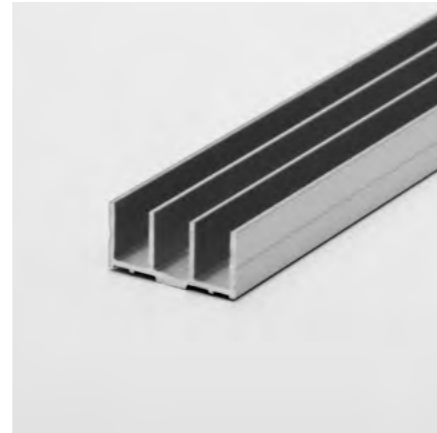
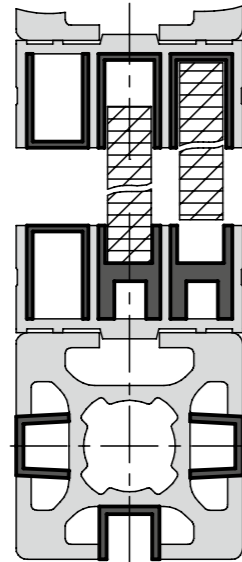
30x15 triple channel extrusion type B05-1



Application

A screw-on extrusion which is ideal for inserting panels, glazing and sliding doors, or any application requiring an attractive finish with functional reliability. The triple channel extrusion can slide onto standard extrusions with the base 30 mm.

The plastic extrusions B39-55 and B39-35 (page 186/187) can be used to improve the sliding properties, to reduce the size of the slots or as clip-on covers.



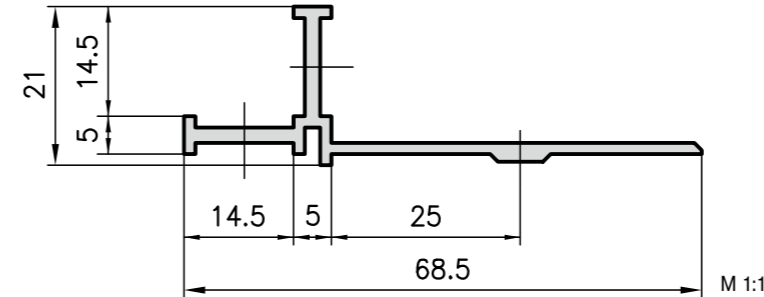
Technical data

Cross-section area	=	1.18 cm ²
Weight	=	0.32 kg/m
Alloy		EN AW-6060

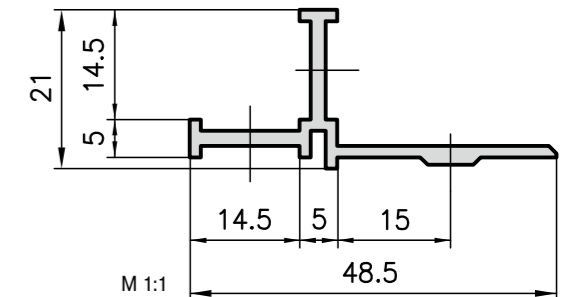
Order data Order number

30x15 triple channel extrusion	
Standard length 5000 mm	B05-1-5M
30x15 triple channel extrusion	
Cut to length	B05-1-02-02/...

19" auxiliary extrusion type A05-2

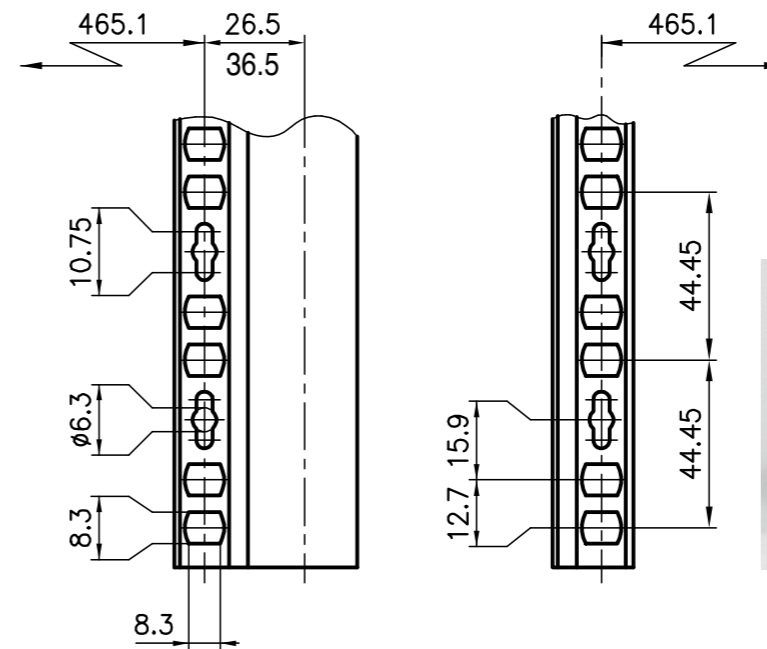


19" auxiliary extrusion type B05-2



Application

The screw-on extrusion allows 19" racking to be incorporated into electronic, pneumatic and hydraulic applications. This specially punched rail can be bolted onto any standard design extrusion with a base of 50 or 30 mm. It meets the requirements of IEC297. Equipment is easy to install using M6 nuts and retaining clips.

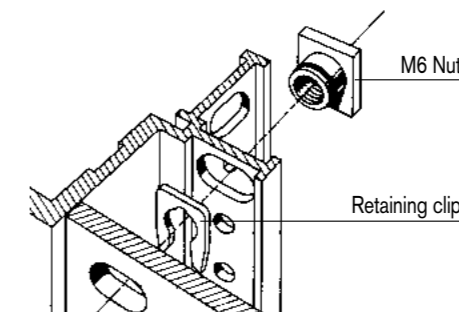


Technical data

Cross-section area	=	1.67 cm ²
Weight	=	0.5 kg/m
Alloy		EN AW-6060

Order data Order number

19" auxiliary extrusion	
Standard length 5000 mm	A05-2-5M
19" auxiliary extrusion	
Cut to length	A05-2-02-02/...



Order data Order number

Retaining clip	H2-506
Special M6 nut	H2-504

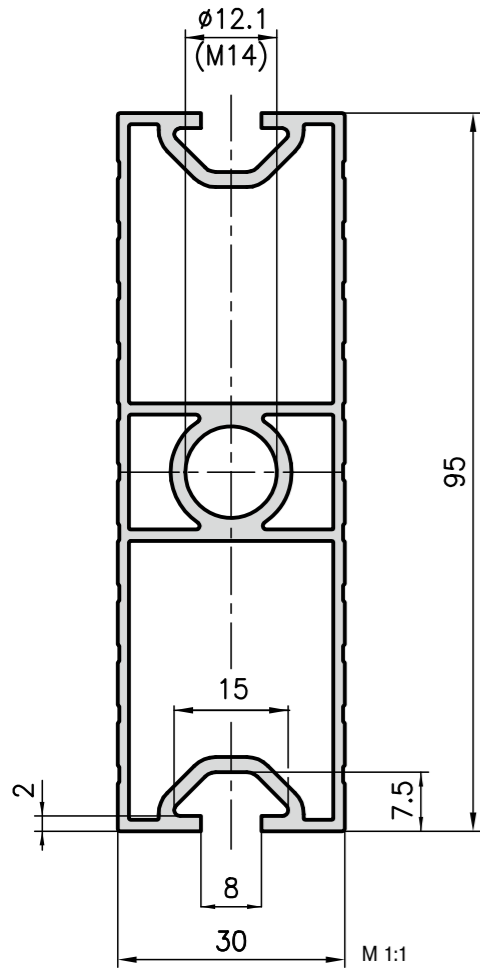
Technical data

Cross-section area	=	1.37 cm ²
Weight	=	0.4 kg/m
Alloy		EN AW-6060

Order data Order number

19" auxiliary extrusion	
Standard length 5000 mm	B05-2-5M
19" auxiliary extrusion	
Cut to length	B05-2-02-02/...

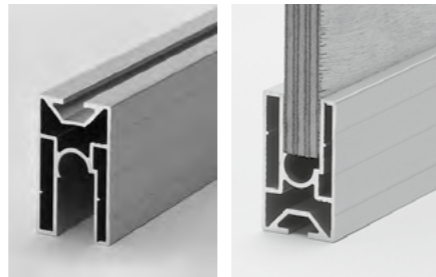
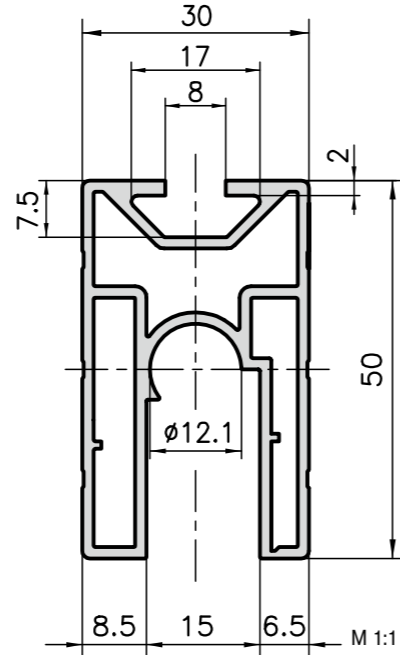
30x95 box frame extrusion type B01-7



Application

The basic material for the single and double wheeled runner (see page 170). However, it can also be used as a frame extrusion to hold thick panels in place.

30x50 runner extrusion type B10-9



Technical data

I _x	=	9.17 cm ⁴
I _y	=	4.51 cm ⁴
W _x	=	3.37 cm ³
W _y	=	2.98 cm ³
Cross-section area	=	3.94 cm ²
Weight	=	1.1 kg/m
Alloy	=	EN AW-6063

Order data Order number

30x50 runner extrusion	
Standard length 5000 mm	B10-9-5M
30x50 runner extrusion	
Cut to length	B10-9-02-02/...

Technical data

I _x	=	55.99 cm ⁴
I _y	=	7.94 cm ⁴
W _x	=	11.79 cm ³
W _y	=	5.29 cm ³
Cross-section area	=	6.54 cm ²
Weight	=	1.8 kg/m
Alloy	=	EN AW-6060

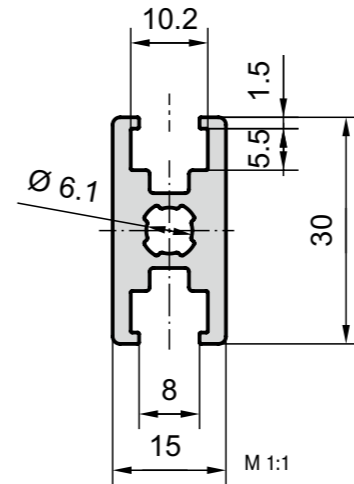
Order data Order number

30x95 box frame extrusion	
Standard length 5850 mm	B01-7-5.85M
30x95 box frame extrusion	
Cut to length	B01-7-02-02/...



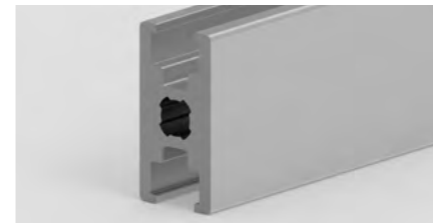
Extra machining Pages 43-47

30x15 frame extrusion type B15-1



Application

This very narrow and light profile can be connected with the fastening elements of base 20. A standard M6 nut can be used as a slot nut or a 6Kt screw M6 as a T-bolt.



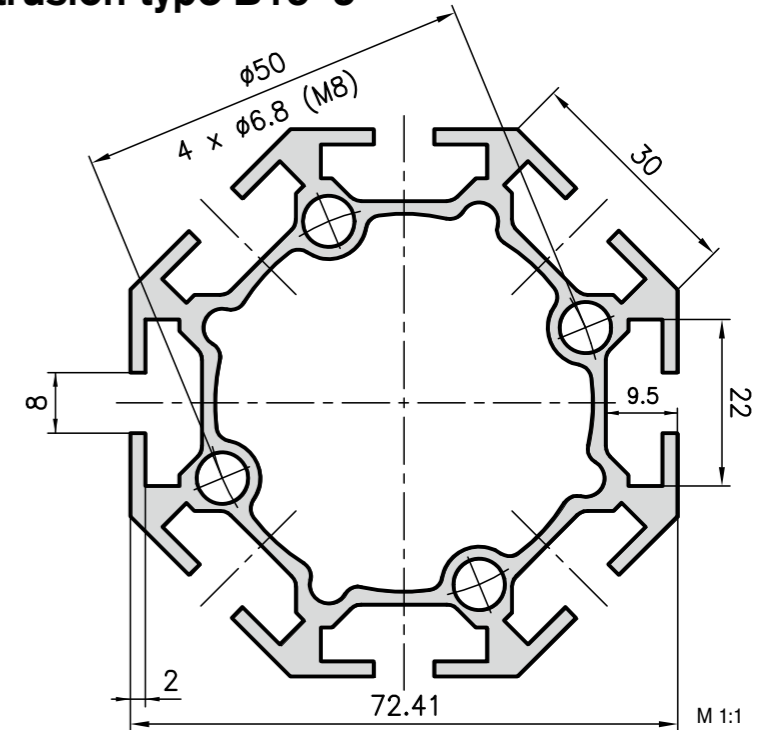
Technical data

I _x	=	1.4 cm ⁴
I _y	=	0.71 cm ⁴
W _x	=	0.933 cm ³
W _y	=	0.473 cm ³
Cross-section area	=	244.9 mm ²
Weight	=	0.66 kg/m
Alloy	=	EN AW-6063

Order data Order number

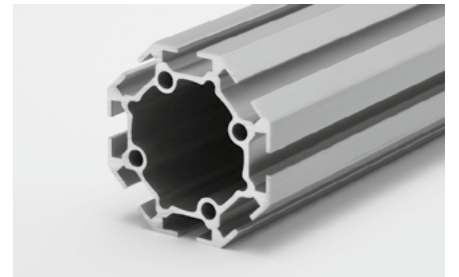
Standard length 5000 mm	B15-1-5M
Cut to length	B15-1-02-02/...

30 mm base octagonal extrusion type B15-3



Application

Ideal for large, heavy duty machine enclosures in a round design, and as an axial extrusion for rotating structures. It can also have base plates bolted on and be used as a support extrusion. An elegant extrusion for interior decoration such as tables, carriages, etc.

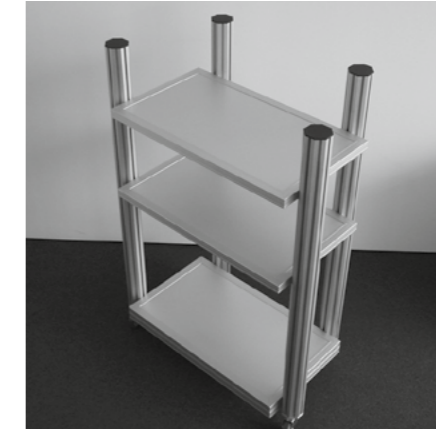


Technical data

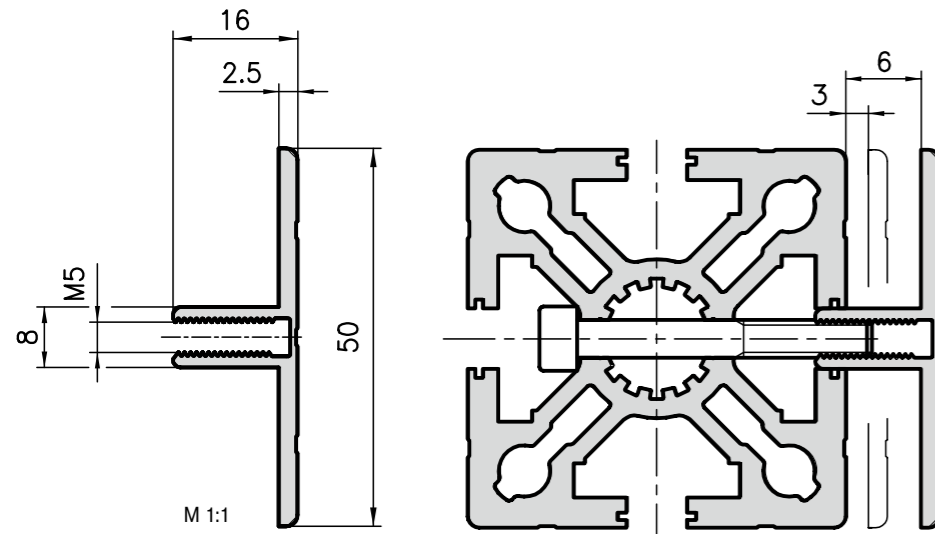
I _{x,y}	=	51.01 cm ⁴
W _{x,y}	=	14.09 cm ³
Cross-section area	=	10.30 cm ²
Weight	=	2.8 kg/m
Alloy	=	EN AW-6063

Order data Order number

30 mm base octagonal extrusion	
Standard length 5000 mm	B15-3-5M
30 mm base octagonal extrusion	
Cut to length	B15-3-02-02/...
Extra machining	Pages 43-47



16x50 double clamping extrusion type A05-7



Application

Two ingenious extrusions to clamp panels of all kinds. They can be added to any existing 8 mm slots on extrusions base 40, 45 or 50 mm. Panels can be inserted or replaced easily, on one or two of the sides, without any need to dismantle the supporting structure!

Technical data

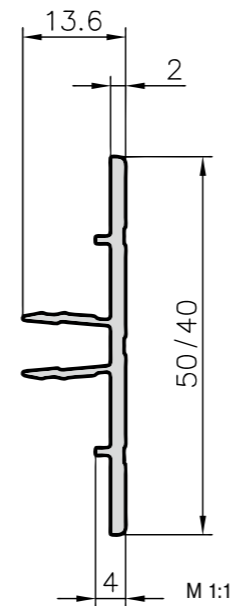
Cross-section area	=	1.70 cm ²
Weight	=	0.46 kg/m
Alloy		EN AW-6063

Order data

Order data	Order number
16x50 double clamping extrusion	
Standard length 5000 mm	A05-7-5M
16x50 double clamping extrusion	
Cut to length	A05-7-02-02/...



Panel clamp extrusions type A05-8/C05-8



Application

Similar to the clamping extrusion but with the additional benefit, that this extrusion can be clipped in. Ideal for ALUCOBOND- and DIBOND- panels or other sheets with a thickness of 2mm and respectively 4 mm (2 snap-in positions for clamping!)

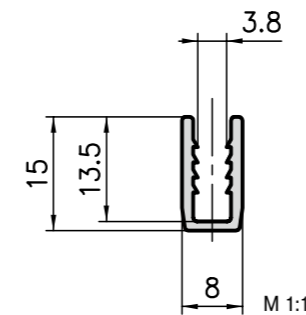
Technical data

Cross-section area	=	1.26 cm ²
Weight	=	0.34 kg/m
Alloy		EN AW-6060

Order data

Order data	Order number
13.5x50 panel clamp extrusion	
Standard length 6000 mm	A05-8-6M
13.5x50 panel clamp extrusion	
Cut to length	A05-8-02-02/...
13.6x40 panel clamp extrusion	
Standard length 6000 mm	C05-8-6M
13.6x40 panel clamp extrusion	
Cut to length	C05-8-02-02/...

8x13.5 U-clamping extrusion type B19-6



Application

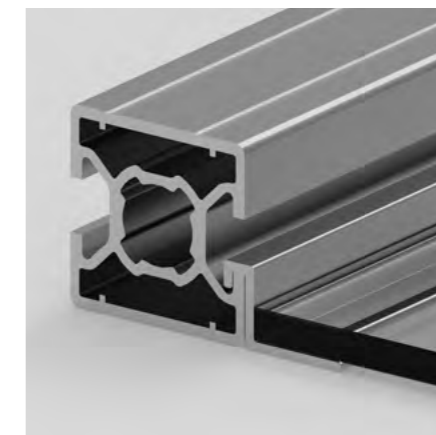
A special extrusion for clamping the wire mesh. The U-extrusion fits into all extrusions with a base of 50, 40 and 30 mm.

Technical data

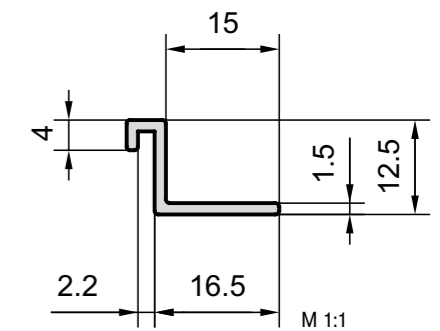
Cross-section area	=	0.53 cm ²
Weight	=	0.14 kg/m
Alloy		EN AW-6060

Order data

Order data	Order number
8x13.5 U-clamping extrusion	
Standard length 5000 mm	B19-6-5M
8x13.5 U-clamping extrusion	
Cut to length	B19-6-02-02/...



Suspension extrusion base 30 type S91-013



Application

The suspension extrusion for aluminium extrusion of the base 30 is flush with the extrusion. It is used for supporting surface elements such as glass, etc. No fixing screws are required for this.

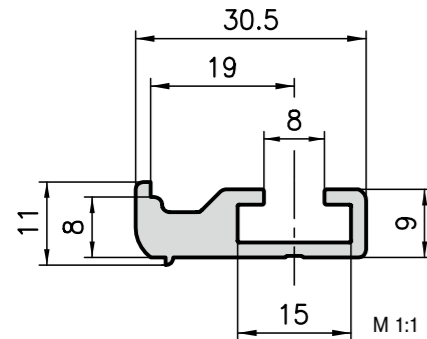
Technical data

Cross-section area	=	0.5 cm ²
Weight	=	0.14 kg/m
Alloy		EN AW-6063

Order data

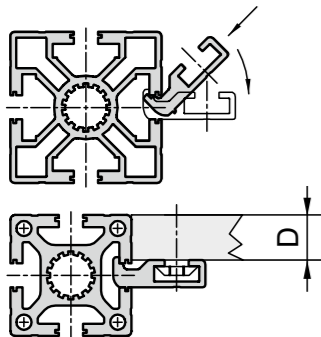
Order data	Order number
Suspension extrusion	
Standard length 5000 mm	S91-013-5M
Suspension extrusion	
Cut to length	S91-013-02-02/...

11x30.5 support extrusion type B19-7



Application

A special extrusion for clamping the wire mesh. The U-extrusion fits into all extrusions with a base of 50, 45, 40 and 30 mm.



Measurement data

Extrusion size	D
Base 30	10
Base 40	15
Base 45	17.5
Base 50	20

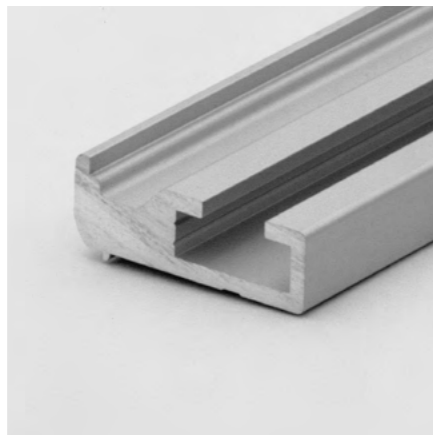
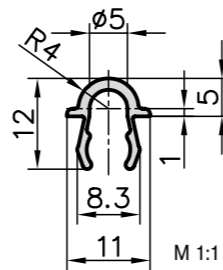
Technical data

Cross-section area	= 1.62 cm ²
Weight	= 0.44 kg/m
Alloy	EN AW-6060

Order data Order number

11x30.5 stop extrusion	
Standard length 5000 mm	B19-7-5M
11x30.5 stop extrusion	
Cut to length	B19-7-02-02/...

Aluminium guide extrusion type B19-8



Application

This aluminium guide can be easily clipped into all slots of Base 50/45/40/30. With 30 base extrusions, a snap-in function prevents the guide from falling out. With 50/40 base extrusions, the guide is jammed in the slot. If necessary, a steel pin Ø 6 can also be pressed in on the side which prevents any possible movement of the guide. Advantages of this guide are:

- Quick and easy fitting, and inexpensive
- Closed slots reduce the build up of dirt
- Can be retrofitted at any time onto existing structures

Sliding doors are so easy and inexpensive to produce. Used especially in applications where the build up of dirt in an open slot or guide is to be prevented.

This extrusion is primarily used as a running rail for the concave roller.

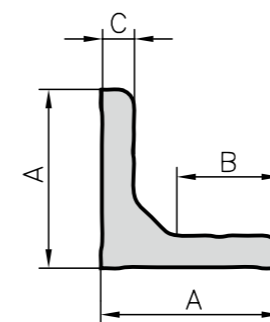
Wheeled runner, see [Page 170](#).

Alloy EN AW-6060

Order data Order number

Aluminium guide extrusion	Order number
Standard length 5000 mm	B19-8-5M
Cut to length	B19-8-02-02/...

Angle extrusion type A30-0/C30-0

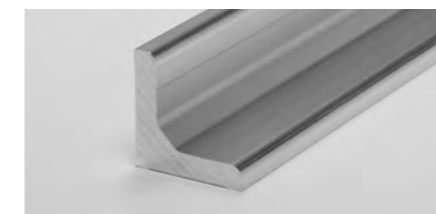


Measurement data

Type	A	B	C
A30-0	38	21	8
C30-0	31	17	6

Technical data

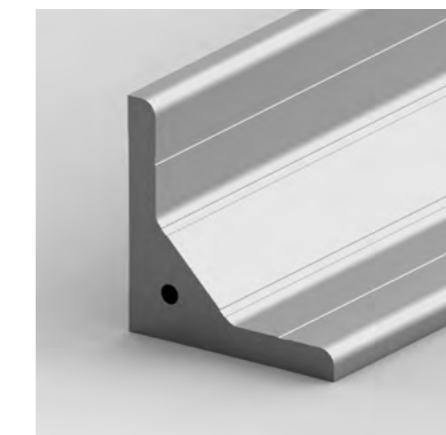
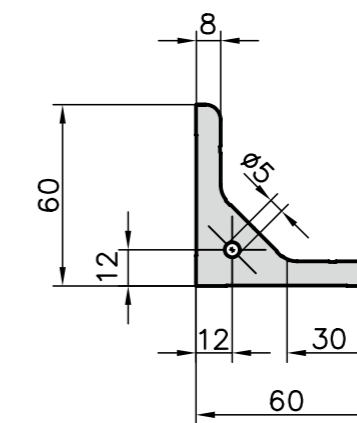
	A30-0	C30-0
Cross-section area	= 5.52 cm ²	3.46 cm ²
Weight	= 1.49 kg/m	0.94 kg/m
Alloy	EN AW-6060	



Order data Order number

Angle extrusion raw 38x38	
Standard length 3000 mm	A30-0-3M
Angle extrusion raw 38x38	
Cut to length	A30-0-02-02/...
Angle extrusion raw 31x31	
Standard length 3000 mm	C30-0-3M
Angle extrusion raw 31x31	
Cut to length	C30-0-02-02/...

Angle extrusion type A30-2



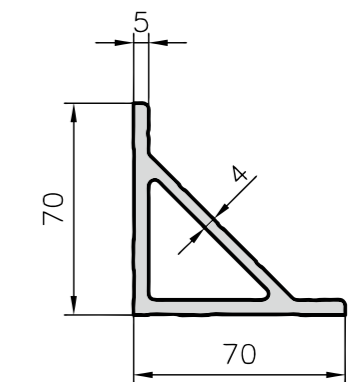
Technical data

Cross-section area	= 10.15 cm ²
Weight	= 2.75 kg/m
Alloy	EN AW-6060

Order data Order number

Angle extrusion raw 60x60	
Standard length 3000 mm	A30-2-3M
Angle extrusion raw 60x60	
Cut to length	A30-2-02-02/...

Angle extrusion type C30-3



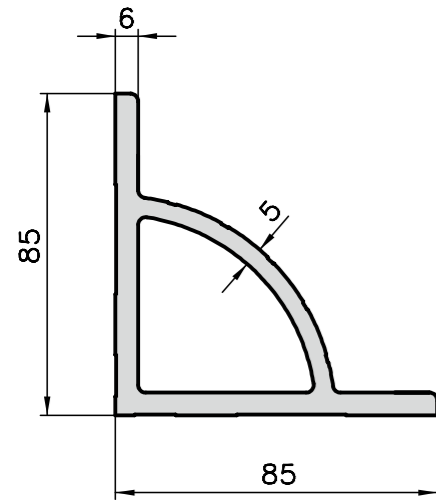
Technical data

Cross-section area	= 9.23 cm ²
Weight	= 2.49 kg/m
Alloy	EN AW-6060

Order data Order number

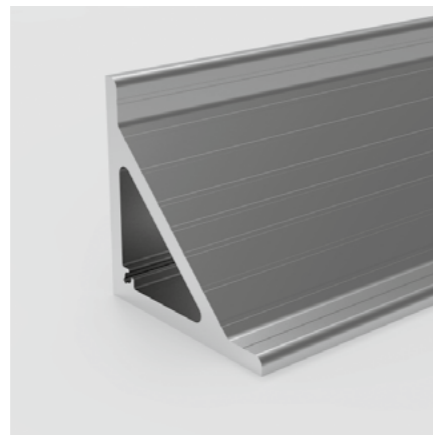
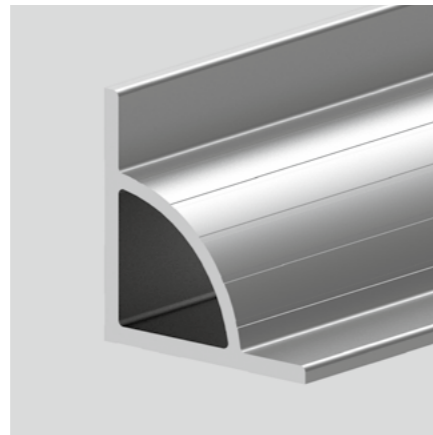
Angle extrusion raw 70x70	
Standard length 3000 mm	C30-3-3M
Angle extrusion raw 70x70	
Cut to length	C30-3-02-02/...

Angle extrusion type E30-3



Application

This angle extrusion is the starting material for mounting brackets for the base 45 products. The support arch with the Kanya shadow slots appears very elegant.



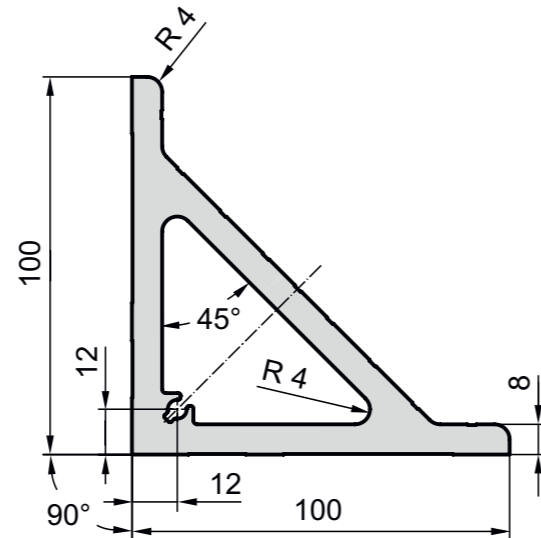
Technical data

Cross-section area	=	13.44 cm ²
Weight	=	3.70 kg/m
Alloy		EN AW-6060

Order data **Order number**

Angle extrusion raw 85x85	
Standard length 3000 mm	E30-3-3M
Angle extrusion raw 85x85	
Cut to length	E30-3-02-02/...

Angle extrusion type A30-4



Application

These very strong angle extrusions are the source material for the mounting brackets. They're also used to reinforce heavily loaded constructions.

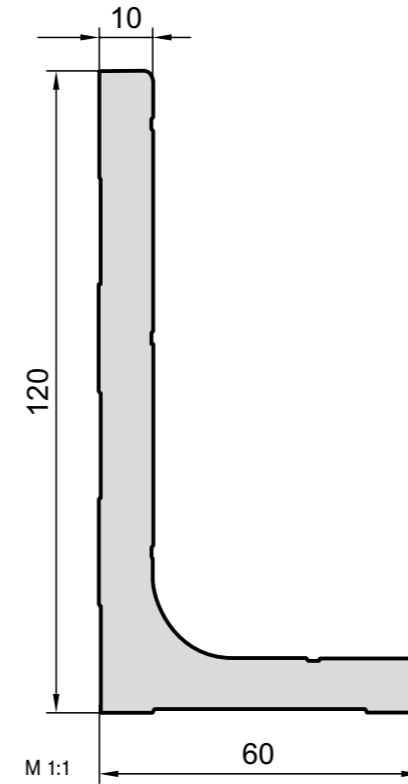
Technical data

Cross-section area	=	23.63 cm ²
Weight	=	6.38 kg/m
Alloy		EN AW-6060

Order data **Order number**

Angle extrusion raw 100x100	
Standard length 3000 mm	A30-4-3M
Angle extrusion raw 100x100	
Cut to length	A30-4-02-02/...

Angle extrusion type A47-0



Application

Source material for floor bolting brackets or for reinforcements.

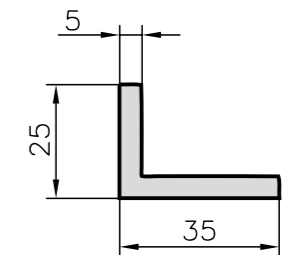
Technical data

Cross-section area	=	17.15 cm ²
Weight	=	4.63 kg/m
Alloy		EN AW-6060

Order data **Order number**

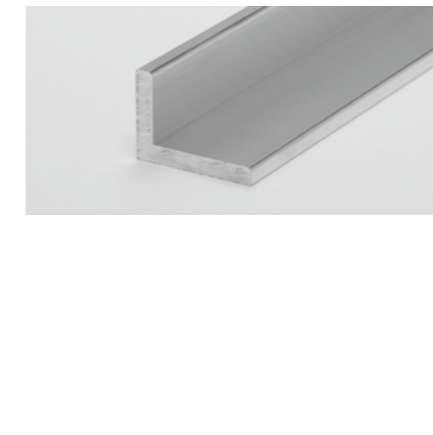
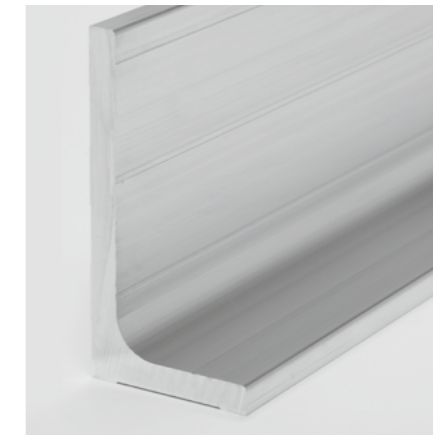
Angle extrusion raw 60x120	
Standard length 3600 mm	A47-0-3.6M
Angle extrusion raw 60x120	
Cut to length	A47-0-02-02/...

Angle extrusion type A30-5



Application

Source material for mounting and fixing brackets or as support bracket.



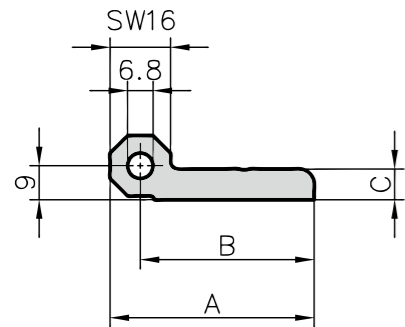
Technical data

Cross-section area	=	2.74 cm ²
Weight	=	0.74 kg/m
Alloy		EN AW-6060

Order data **Order number**

Angle extrusion raw 25x35	
Standard length 5000 mm	A30-5-5M
Angle extrusion raw 25x35	
Cut to length	A30-5-02-02/...

Hinge extrusion type A60-6/C60-6



Measurement data

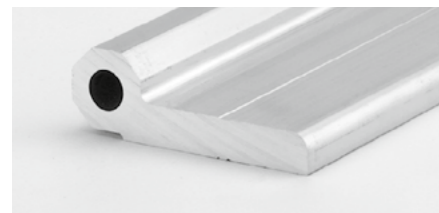
Type	A	B	C
A60-6	54	46	8
C60-6	44	36	8

Application

Source material for the unhingable and the heavy duty hinges or for producing special hinges.

Specification

Aluminium raw



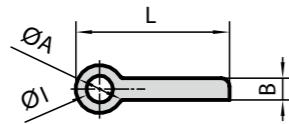
Technical data

	A60-6	C60-6
Weight	= 1.33 kg/m	1.11 kg/m
Alloy	EN AW-6060	

Order data

Order data	Order number
17x54 hinge extrusion Standard length 3000 mm	A60-6-3M
17x54 hinge extrusion Cut to length	A60-6-02-02/...
17x44 hinge extrusion Standard length 3000 mm	C60-6-3M
17x44 hinge extrusion Cut to length	C60-6-02-02/...

Hinge extrusion type A60-1, A60-2, B60-1, B60-2

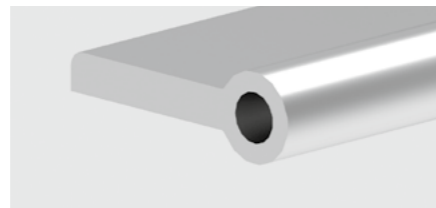


Measurement data

Type	L	B	ØA	Ø1	kg/m
A60-1	57.5	8	18	10	1.33
B60-1	47.5	8	18	10	1.11
Alloy	EN AW-6063				
A60-2	47.0	4	10	6	0.54
B60-2	37.0	4	10	6	0.43
Alloy	EN AW-6060				

Specification

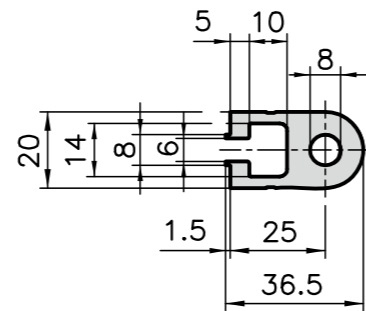
Aluminium raw



Order data

Order data	Order number
Hinge extrusion Standard length 3000 mm	A60-1-3M
Hinge extrusion Cut to length	A60-1-02-02/...
Hinge extrusion Standard length 3000 mm	B60-1-3M
Hinge extrusion Cut to length	B60-1-02-02/...
Hinge extrusion Standard length 3000 mm	A60-2-3M
Hinge extrusion Cut to length	A60-2-02-02/...
Hinge extrusion Standard length 3000 mm	B60-2-3M
Hinge extrusion Cut to length	B60-2-02-02/...

Hinge extrusion type A60-5

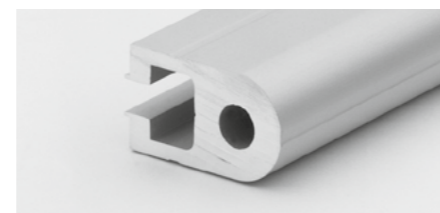


Application

Source material for special hinges or as bearing for simple rotating-mechanism.

Specification

Aluminium anodised



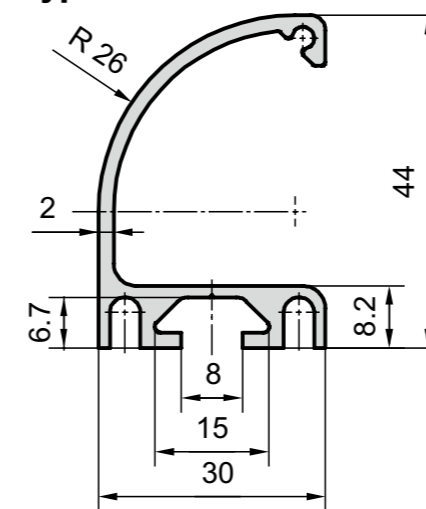
Technical data

Weight	=	1.19 kg/m
Alloy	EN AW-6063	

Order data

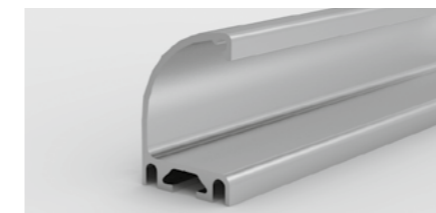
Order data	Order number
20x36.5 hinge extrusion Standard length 5000 mm	A60-5-5M
20x36.5 hinge extrusion Cut to length	A60-5-02-02/...

Handle strip extrusion type B65-6



Application

The handle strip can be used as a drawer handle or also as a handle for doors and windows.



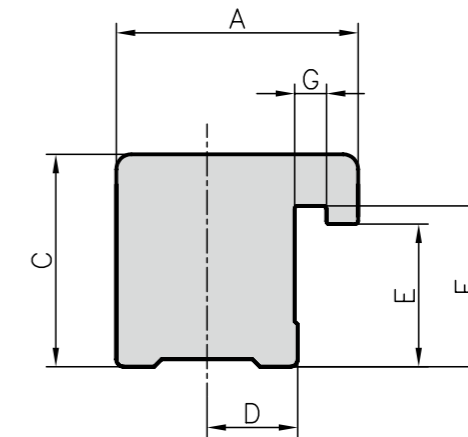
Technical data

Cross-section area	=	2.37 cm ²
Weight	=	0.64 kg/m
Alloy	EN AW-6063	

Order data

Order data	Order number
Handle strip extrusion 30x44 Standard length 5000 mm	B65-6-5M
Handle strip extrusion 30x44 Cut to length	B65-6-02-02/...

Clamping blocks



Application

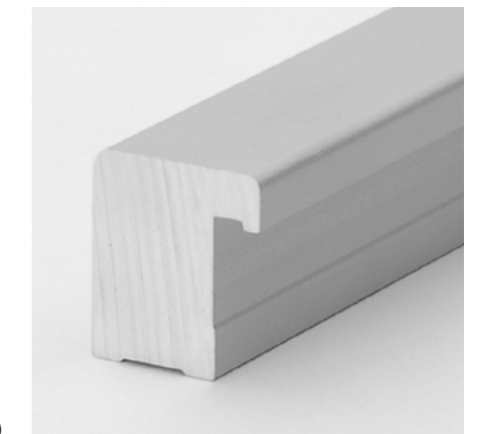
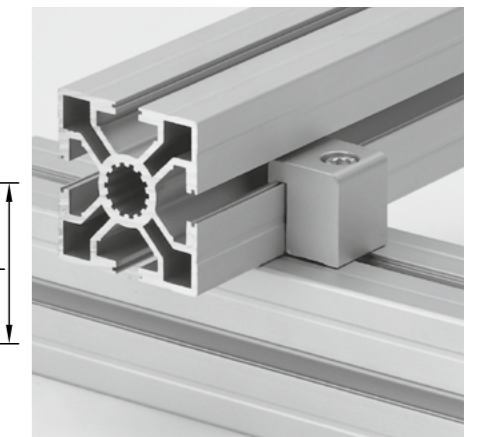
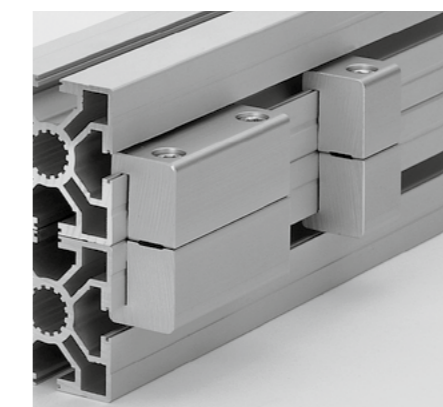
To connect two extrusions of base 50, 40 and 30. A very sturdy cross or parallel connection is produced. Two clamping blocks are required to create the parallel connection.

Clamping blocks machined, see [page 152](#)

Alloy EN AW-6060

Measurement data

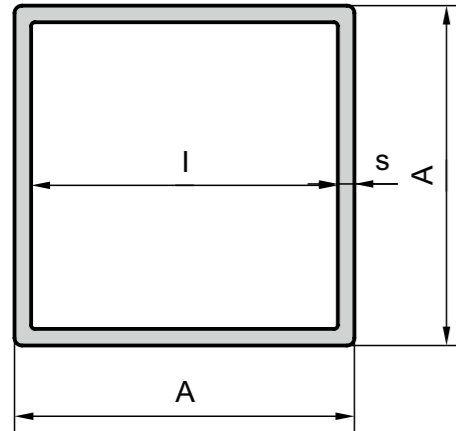
Type	A	C	D	E	F	G	kg/m
30	17	15	6.5	9.4	10.6	2.1	0.51
40	25	22	10	14.4	15.6	4	1.31
50	25	27	10	19.4	20.6	4	1.58



Order data

Order data	Order number
Clamping blocks raw	
Extrusion base 50	
Standard length 3000 mm	A34-0-3M
Cut to length	A34-0-02-02/...
Extrusion base 40	
Standard length 3000 mm	C34-0-3M
Cut to length	C34-0-02-02/...
Extrusion base 30	
Standard length 3000 mm	B34-0-3M
Cut to length	B34-0-02-02/...

Rectangular tube



Application

With the rectangular tube and with the combination of the extrusions base 50, 45, 40 und 30 a telescope function can be easily created. Can also be used as a guidance for a counter balance in a construction with a lift gate in addition to many «classic» rectangular tube applications.

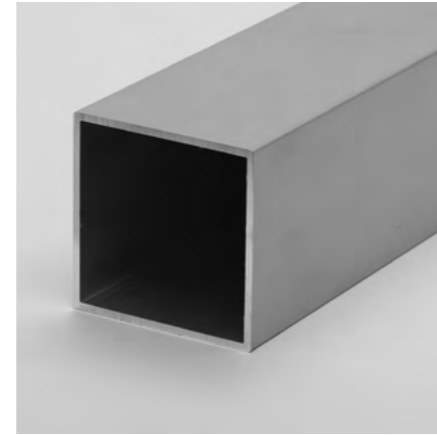


Measurement data

	l	A	S
A19-5	50.6	55	2.2
C19-5	40.6	45	2.2
B19-5	31	35	2
E19-5	46	50	2
Alloy	EN AW-6060		

Technical data

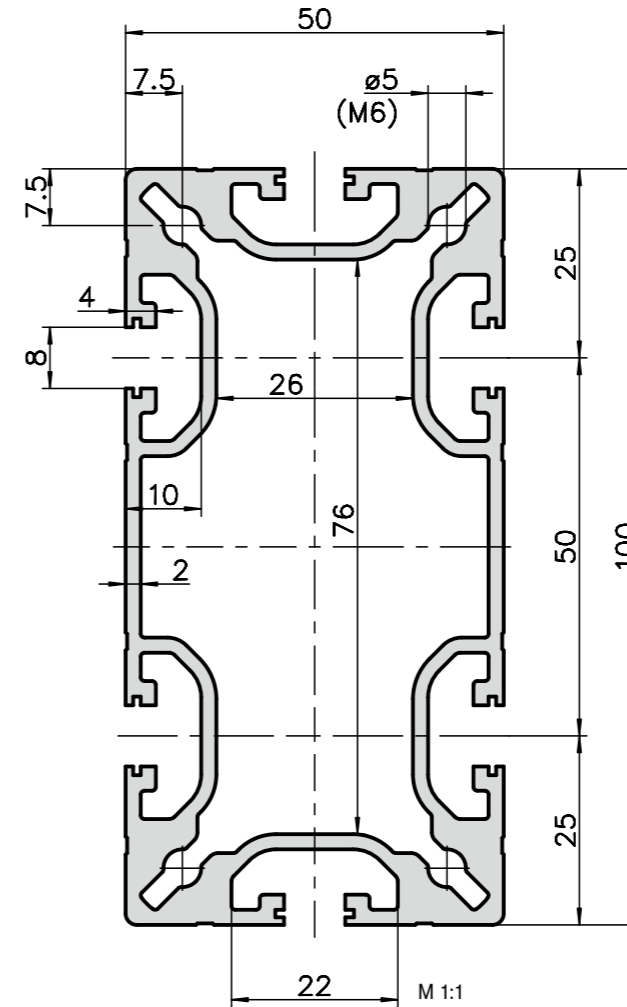
	A19-5	E19-5	C19-5	B19-5
$I_{x,y}$	21.58 cm ⁴	14.75 cm ⁴	11.4 cm ⁴	4.80 cm ⁴
$W_{x,y}$	7.85 cm ³	5.9 cm ³	5.06 cm ³	2.74 cm ³
Cross-section area	4.64 cm ²	3.85 cm ²	3.75 cm ²	2.64 cm ²
Weight	1.25 kg/m	1.05 kg	1.02 kg	0.71 kg



Order data

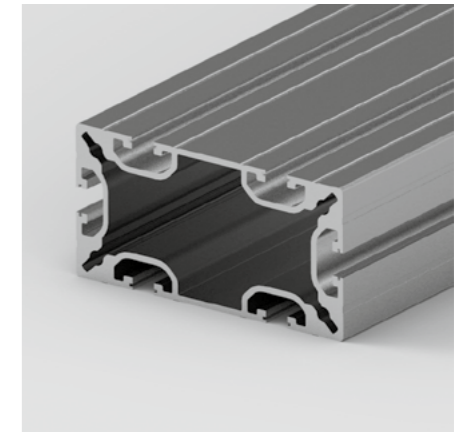
Order data	Order number
Rectangular tube 55x55 Standard length 6000mm	A19-5-6M
Rectangular tube 55x55 Cut to length	A19-5-02-02/....
Rectangular tube 50x50 Standard length 5000 mm	E19-5-5M
Rectangular tube 50x50 Cut to length	E19-5-02-02/....
Rectangular tube 45x45 Standard length 5000 mm	C19-5-5M
Rectangular tube 45x45 Cut to length	C19-5-02-02/....
Rectangular tube 35x35 Standard length 5000 mm	B19-5-5M
Rectangular tube 35x35 Cut to length	B19-5-02-02/....

Counterweight extrusion 50x100 type A19-2



Application

Counterweights can be inserted into this extrusion for vertical sliding doors. This is a combination extrusion of base 40 + 50. The slots are based on the geometry of base 40 which is why base 40 accessories are the most suitable to use. This extrusion can be connected to the PVS® Direct ([page 145](#)).



Technical data

I_x	=	41.82 cm ⁴
I_y	=	16.43 cm ⁴
W_x	=	8.36 cm ³
W_y	=	6.57 cm ³
Cross-section area	=	12.33 cm ²
Weight	=	3.33 kg/m
Alloy	=	EN AW-6063

Order data

Order data	Order number
Counterweight extrusion 50x100 Standard length 6000mm	A19-2-6M
Cut to length	A19-2-02-02/...

Kanya connection technology

The extrusion connection system PVS® opens up new possibilities for all structural design problems, whether for machinery, transfer and handling systems, guards, machine enclosures, work benches, laboratory facilities, cabinets, room partitions or exhibition stands. Rectangular, round, square or diagonal, fixed or swivelling: Kanya is the perfect solution.

Quick, secure connections:

Kanya PVS® makes it possible to erect any structure in a very short time. The system centers around Kanya's own invention, the internationally patented PVS® connector. Any extrusions can be joined together securely.

Simple and versatile assembly:

The two fundamentals which allow you to build a structure to your own design are ease of assembly and a comprehensive range of extrusions and accessories. Modifications or additions can be easily made, when the need arises, without wasting any material.

Highly cost-effective:

Any part can be customised. There is no need for expensive finishing or surface treatments. Expensive construction is minimised, saving time and reducing costs. All the parts can be reused repeatedly since all joints are simple to dismantle. That's what makes this system the most cost effective you can buy in the long run.

An example of making a simple 90° connection.

All the Kanya PVS® connections work on this simple principle, regardless of direction or size.



1. Insert the barrel into the hole made in the second extrusion.



2. Insert the sprung anchor into the centre hole of the barrel.



3. Push the anchor head into the slot of the first extrusion; twist 90°. Tighten the Allen screw. That's all.

Connection technology

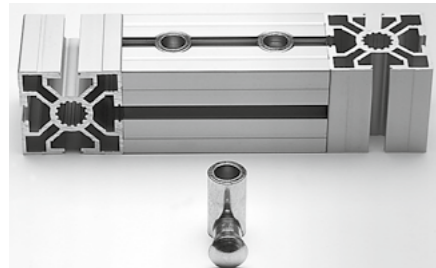


Video connection technology

PVS® connectors - overview



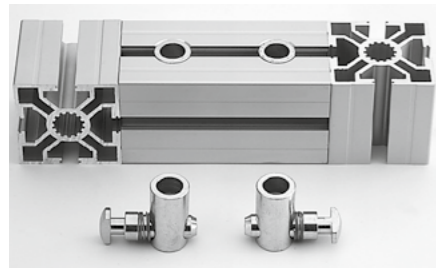
1. Universal connections



The round anchor head allows the extrusions to be set in any position, however it must first be pushed into the retaining slot. **Also available in stainless steel or providing electrical bonding. (electrically conducting)**



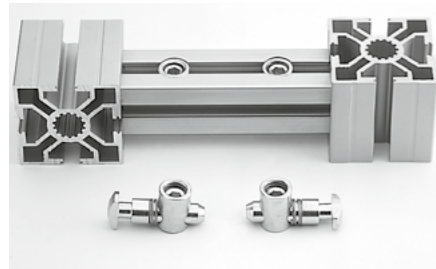
2. Standard connections



The milled anchor heads allow extrusions to be added subsequently. Horizontally and vertically milled anchor types are required to guarantee that every extrusion position is possible. **Also available in stainless steel or providing electrical bonding. (electrically conducting)**



3. Combination connections



To provide the optimum connection for all cross-sections, the combination connectors are used in a similar way to the standard connection.



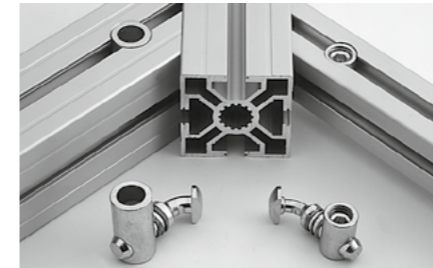
4. Special connections



The special anchor, which is available in different lengths, makes parallel and cross connections possible.



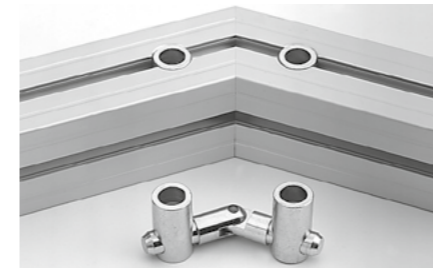
5. Mitred connections



The formed anchor head – 15°, 30° and 45° in both left and right designs – or with an articulated head to create connections at virtually any angle



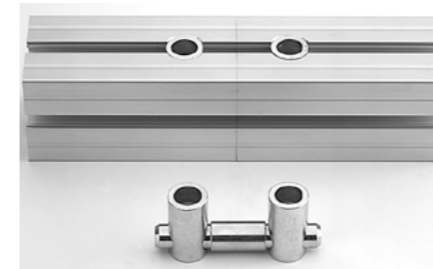
6. Double mitred connections



The anchor which can be swivelled from 0° – 90° can be used universally and creates a sturdy frame with slots all around.



7. Extrusion extensions



The rigid anchor guarantees an extremely stable extrusion extension




8. Threaded connections



The threaded anchor (M6 / M8) enables the extrusion to be attached to other structures. And the erection of a machine safety guard on an existing work top without any additional fixings.

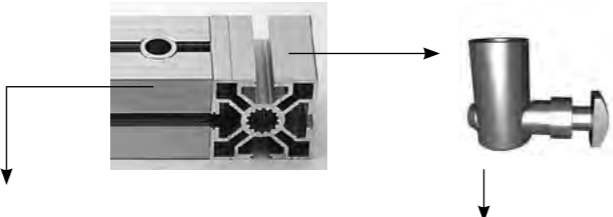


1. Universal connector




Extrusion with base	50	45	40	30	20
50	A20-90 (-I/-P)*				
45	E20-90 (-I/-P)*		C20-90 (-I/-P)*		
40	C20-90 (-I/-P)*		C20-90 (-I/-P)*		
30	B210-90 (-I/-P)*		B210-90 (-I/-P)*		B20-90
Core hole 20 12.1 mm	D210-90 (-I/-P)*		D210-90 (-I/-P)*		D20-90
Core hole 20 6.0 mm	DD210-90		DD210-90		DD20-90
A02-8	A20-95				
C02-8 / C03-8	C20-95		C20-95		
B01-8	B210-95		B210-95		B20-95

2a. Standard connector
Drill across to nut



Extrusion with base	50	45	40	30	20
50	A20-10(-I/-P)*				
45	E20-10(-I/-P)*				
40	C20-10(-I/-P)*				
30	B20-10(-I/-P)*				
Core hole 20 12.1 mm					D20-10(-I/-P)*
Core hole 20 6.0 mm					DD20-10
A02-8	A20-50				
C02-8 / C03-8	C20-50		C20-50		
B01-8	B20-50				

2b. Standard connector
Drill parallel to nut

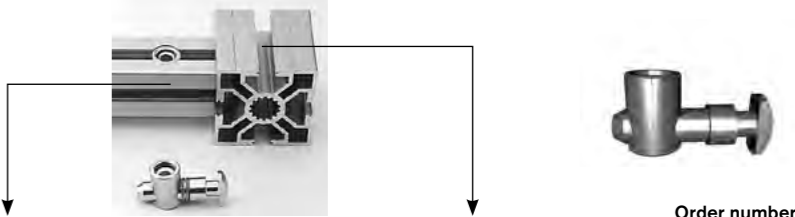


Extrusion with base	50	45	40	30	20
50	A20-20(-I/-P)*				
45	E20-20(-I/-P)*				
40	C20-20(-I/-P)*				
30	B20-20(-I/-P)*				
Core hole 20 12.1 mm					D20-20(-I/-P)*
Core hole 20 6.0 mm					DD20-20
A02-8	A20-51				
C02-8 / C03-8	C20-51		C20-51		
B01-8	B20-51				

*...-P = connectors with electrical bonding

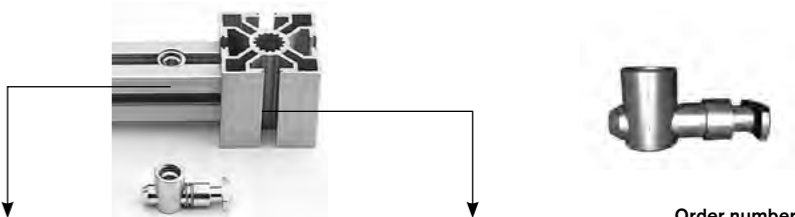
*...-I = connectors stainless steel 1.4305

3a. Combination connector
Drill across to nut



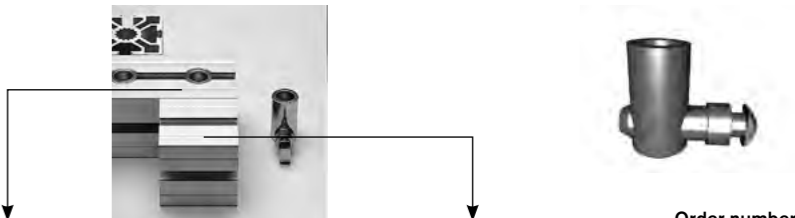
Extrusion with base	50	45	40	30	20
50	A20-10	A20-10	A20-10	AB20-10	AB20-10
45	E20-10	E20-10	E20-10	EB20-10	EB20-10
40	C20-10	C20-10	C20-10	CB20-10	CB20-10
30	B210-10	B210-10	B210-10	B20-10	B20-10
Core hole 20 12.1 mm	D210-10	D210-10	D210-10	D20-10	D20-10
Core hole 20 6.0 mm	DD210-10	DD210-10	DD210-10	DD20-10	DD20-10
C02-8 / C03-8	C20-50	C20-50	C20-50		
B01-8	B210-50	B210-50	B210-50	B20-50	
A02-8	A20-50	A20-50	A20-50		

3b. Combination connector
Drill parallel to nut



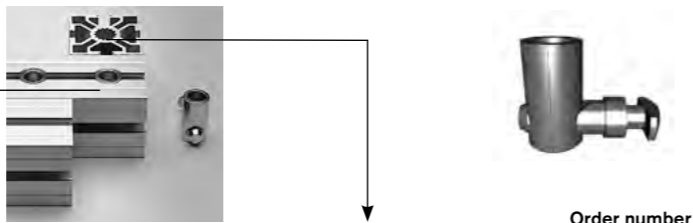
Extrusion with base	50	45	40	30	20
50	A20-20	A20-20	A20-20	AB20-20	AB20-20
45	E20-20	E20-20	E20-20	EB20-20	EB20-20
40	C20-20	C20-20	C20-20	CB20-20	CB20-20
30	B210-20	B210-20	B210-20	B20-20	B20-20
Core hole 20 12.1 mm	D210-20	D210-20	D210-20	D20-20	D20-20
Core hole 20 6.0 mm	DD210-20	DD210-20	DD210-20	DD20-20	DD20-20
C02-8 / C03-8	C20-51	C20-51	C20-51		
B01-8	B210-51	B210-51	B210-51	B20-51	
A02-8	A20-51	A20-51	A20-51		

4a. Special connector,
from the side outgoing,
vertical



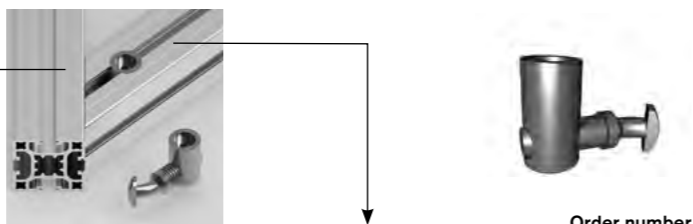
Extrusion with base	50	45	40	30	20
50	A20-10	A20-10	A20-10	AB20-10	AB20-10
45	E20-15	E20-15	E20-15	EB20-15	EB20-15
40	C20-15	C20-15	C20-15	CB20-15	CB20-15
30	B210-15	B210-15	B210-15	B20-15	B20-15
A02-8	A20-50	A20-50	A20-50		

4b. Special connector, from the side outgoing, horizontal



Extrusion with base	50	45	40	30	20
50	A20-20	A20-20	A20-20	AB20-20	AB20-20
45	E20-25	E20-25	E20-25	EB20-25	EB20-25
40	C20-25	C20-25	C20-25	CB20-25	CB20-25
30	B210-25	B210-25	B210-25	B20-25	B20-25
A02-8	A20-51	A20-51	A20-51		

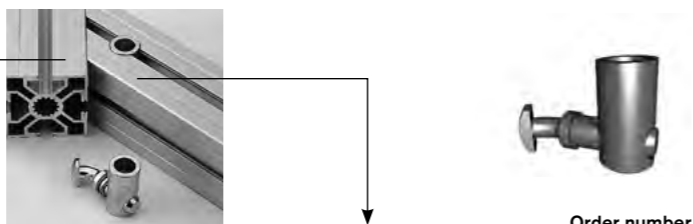
5a. Mitred connector with formed anchor right



Extrusion with base	50	45	40	30	20	20*
50	A22- α	E22- α	C22- α	B221- α	D221- α	DD221- α
45		E22- α	C22- α	B221- α	D221- α	DD221- α
40			C22- α	B221- α	D221- α	DD221- α
30				B22- α	D22- α	DD22- α
20					D22- α	DD22- α

Order code α 15° = -15, α 30° = -30, α 45° = -45 *with core hole 6.0 mm

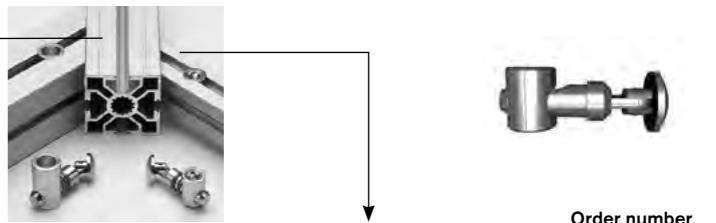
5b. Mitred connector with formed anchor left



Extrusion with base	50	45	40	30	20	20*
50	A23- α	E23- α	C23- α	B231- α	D231- α	DD231- α
45		E23- α	C23- α	B231- α	D231- α	DD231- α
40			C23- α	B231- α	D231- α	DD231- α
30				B23- α	D23- α	DD23- α
20					D23- α	DD23- α

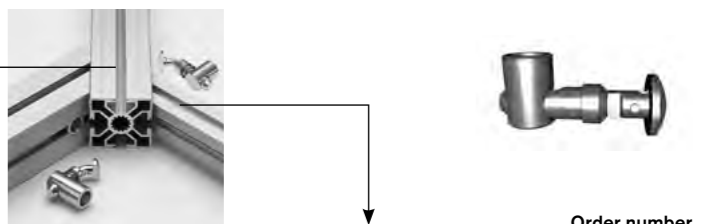
Order code α 15° = -15, α 30° = -30, α 45° = -45 *with core hole 6.0 mm

5c. Mitre connector with articulated anchor (up to max 55°)



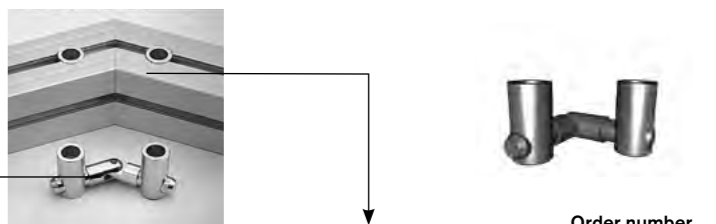
Extrusion with base	50	45	40	30	20
50	A22-00	E22-00	C22-00	B221-00	D221-00
45		E22-00	C22-00	B221-00	D221-00
40			C22-00	B221-00	D221-00
30				B22-00	D22-00

5d. Mitre connector with articulated anchor 90° (up to max 55°)



Extrusion with base	50	45	40	30
50	A22-90	E22-90	C22-90	B221-90
45		E22-90	C22-90	B221-90
40			C22-90	B221-90
30				B22-90

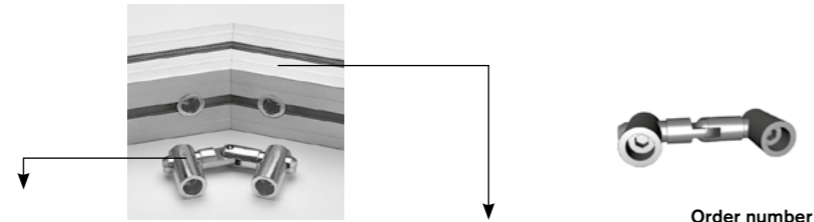
6a. Double mitre connector with articulated anchor 90° (up to max 55°)



Extrusion with base	50	45	40	30	20	20*	A02-8	C02-8	B01-8
50	A24-10								
45		E24-10							
40			C24-10						
30				B24-10					
Core hole 20 12.1 mm					D24-10				
Core hole 20 6.0 mm						DD24-10			
A02-8							A24-51		
C02-8 / C03-8								C24-51	
B01-8									B24-51

*with core hole 6.0 mm

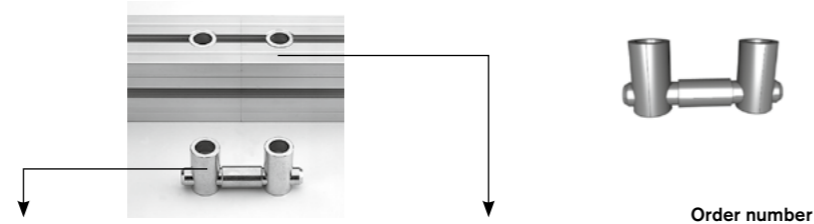
6b. Double mitre connectors sideways



Extrusion with base	50	45	40	30	20	20*	A02-8	C02-8	B01-8
50	A24-19								
45	E24-19								
40	C24-19								
30	B24-19								
Core hole 20 12.1 mm	D24-19								
Core hole 20 6.0 mm									
A02-8							A24-59		
C02-8 / C03-8								C24-59	
B01-8									B24-59

*with core hole 6.0 mm

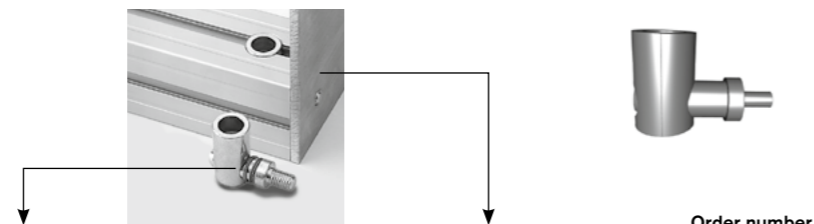
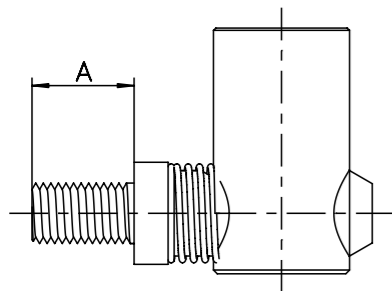
7. Extrusion extension connectors



Extrusion with base	50	45	40	30	20	20*	A02-8	C02-8	B01-8
50	A24-00								
45	E24-00								
40	C24-00								
30	B24-00								
Core hole 20 12.1 mm	D24-00								
Core hole 20 6.0 mm	DD24-00								
A02-8							A24-50		
C02-8 / C03-8								C24-50	
B01-8									B24-50

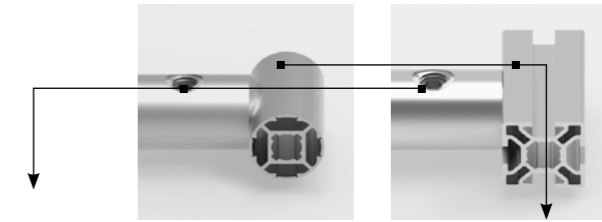
*with core hole 6.0 mm

8. Threaded connectors



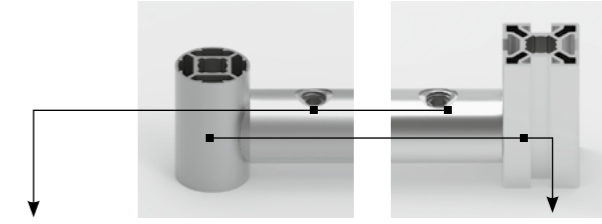
Extrusion with base	Gewinde	M6	M8	A
50	A20-66	A20-60		13
45	E20-66	E20-60		13
40	C20-66	C20-60		13
30	B20-66	B20-60		10
Core hole 20 12.1 mm	D20-66	D20-60		10
Core hole 20 6.0 mm	DD20-66			7
A02-8	auf Anfrage	A20-65		
C02-8 / C03-8	auf Anfrage	C20-65		
B01-8	auf Anfrage	B20-65		

9a. Tube connector transverse to extrusion axle



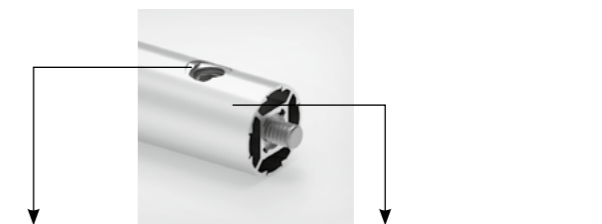
Extrusion tube Ø	Ø 30	■ 30	■ 40/45/50
30	R30-30-10	R30-35-10	R30-45-10

9b. Tube connector parallel to extrusion axle



Extrusion tube Ø	Ø 30	■ 30	■ 40/45/50
30	R30-30-20	R30-35-20	R30-45-20

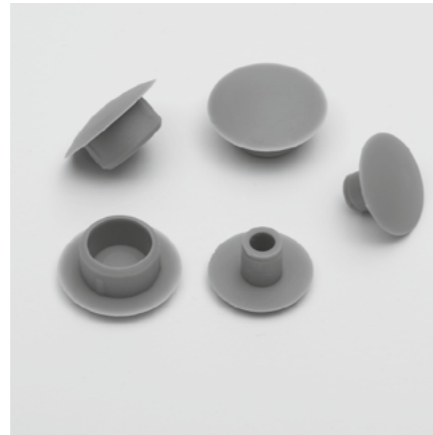
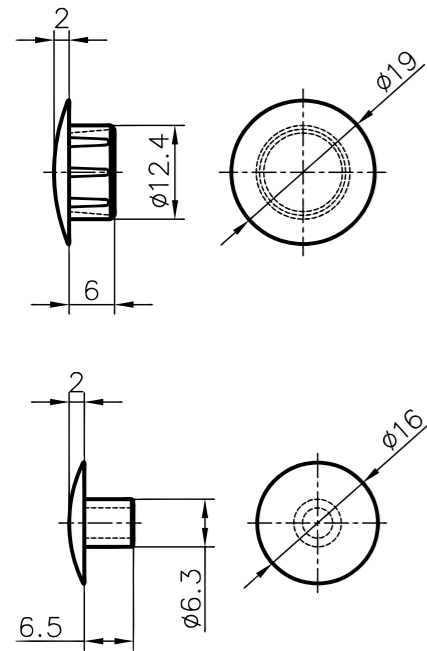
10. Tube tread connector



Extrusion tube Ø	M6	M8
30	R30-30-66	R30-30-60

Other connector versions on request.

Covering cap for PVS-connector



Application

The covering cap for the PVS-connectors have two functions: aesthetics and protection. With the connector on a face side of an extrusion, it covers the visible part of the connector.

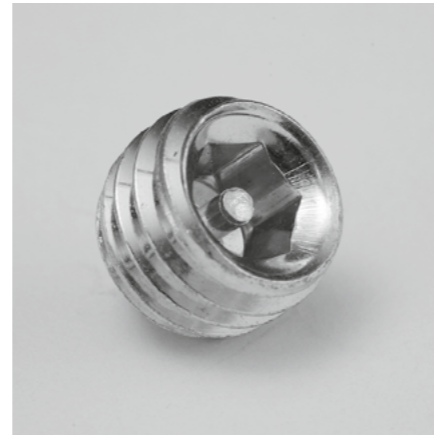
If the application is in a dirty environment, it is wise to protect the screws from dirt to allow functionality.

Specification

Material PE, gray

Order data	Order number	
Plastic cap	grey	black
Base 50/45/40	A40-99	A40-98
Base 30	B40-99	B40-98

PVS® screw «Safe»



Special PVS® screw Safe M12x12 for safety constructions which must not be easy to dismantle by unauthorised persons. A pin inhibits access to the screw so that it cannot be unscrewed using a commercially available Allen key.

Order data	Order number
PVS® screw Safe	125-80-S

Strength specifications

That chart shows the shearing forces in relation to torque and number of connectors of the most important extrusion combinations.

At a torque of 30Nm lies the shearing force for a connection with one connector at approximately 4000N.

Recommended torque: for the universal and standard connectors:

Extrusion base 50/45/40: 30–35Nm

Extrusion base 30/20: 20–25Nm

Extrusion base 20 (Ø6): max. 6Nm
(other connectors on request)

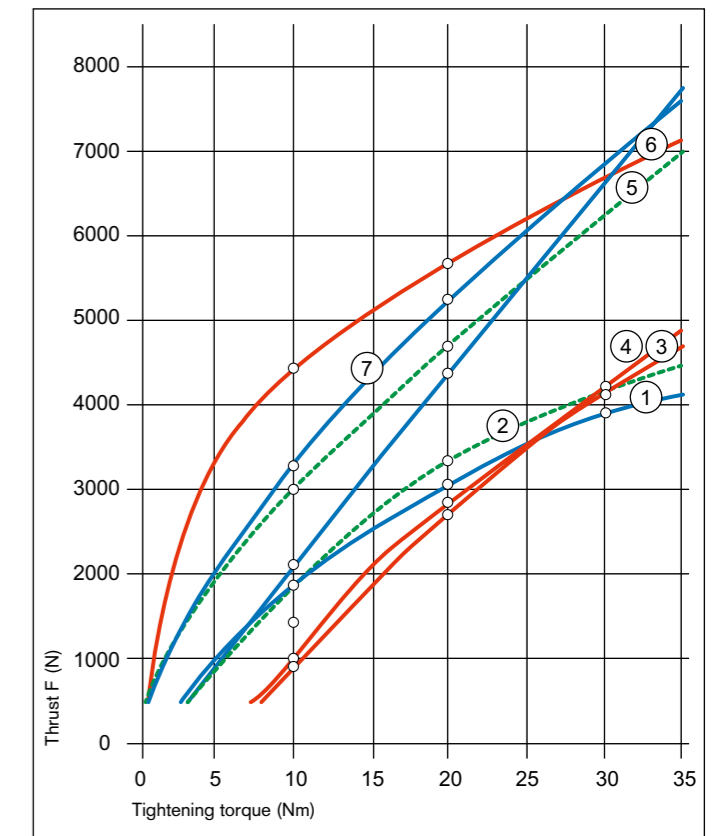
Remark:

The tightening torques should not exceed above mentioned recommended specifications:

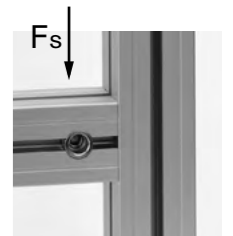
⇒ The anchor head may be damaged or broken.

Those in the chart stated tractive forces are approximate value. Conditions: Preload of connectors with max. tightening torques!

Thrust forces



No.	extrusion	joints
1	50x50	1
2	40x40	1
3	30x30	1
4	30x50	1
5	40x80	2
6	30x100	2
7	50x100	2

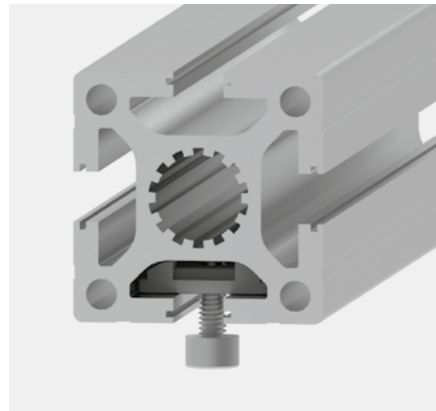


Tractive forces (strong slot version)

Tractive force extrusion	Fz Universal connectors	Fz Standard connectors
Base 50	14'000N	10'000N
Base 45	14'000N	10'000N
Base 40	14'000N	10'000N
Base 30	4'000N	3'500N
Base 20	2'000N	1'800N



Tightening torques and tensile forces for threaded plates and sliding blocks



Tightening torques for threaded plates

	M5	M6	M8
Base 40/45/50	6Nm	10Nm	15Nm
Base 20/30	4Nm	6Nm	6Nm

Pull-out force threaded plates

Base 50 / 45 / 40	10'000N
Base 30	3'500N
Base 20	1'800N

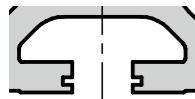
Pull-out force nuts*

Base 50 / 45 / 40	8'000N
Base 30	3'000N
Base 20	1'500N

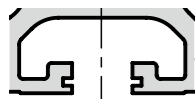
*Swivel in nut

The tear-out force depends basically on the nut geometry, as the weakest point is the aluminium nut. Pay attention to the nut thickness.

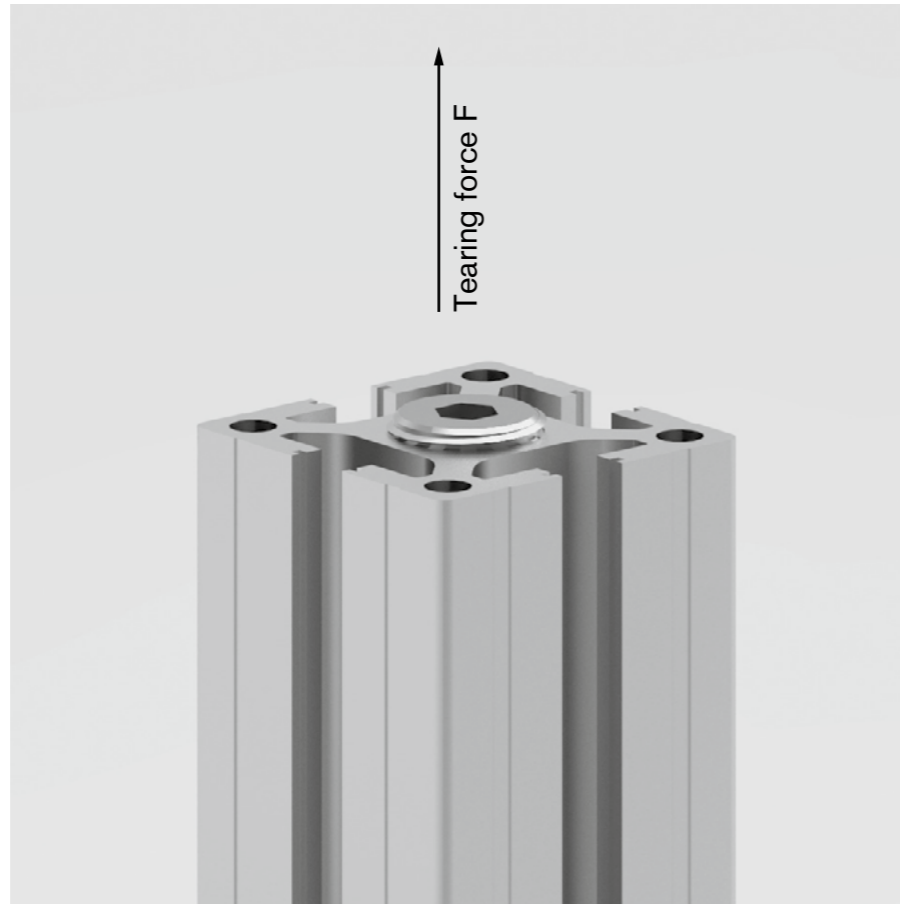
strong version



light version



Frontal pull-out forces from the central thread length 25mm



Centre hole Extrusion base 40/45/50



F in N
65'000



42'000

Centre hole Extrusion base 30



F in N
48'000

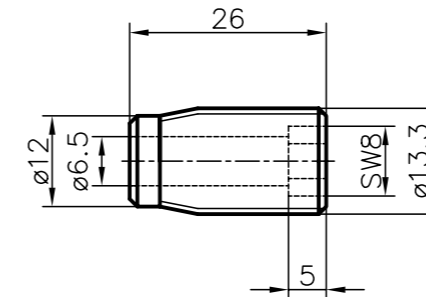


22'000

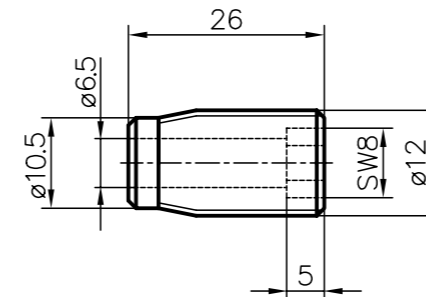
The tightening torques for the self-cutting thread inserts are 8Nm for all extrusion sizes.

PVS® direct connectors

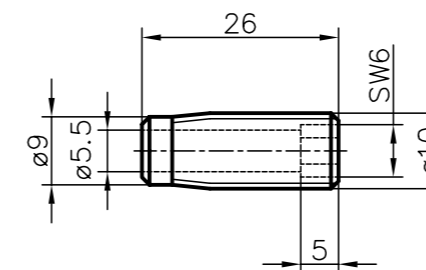
Base 50



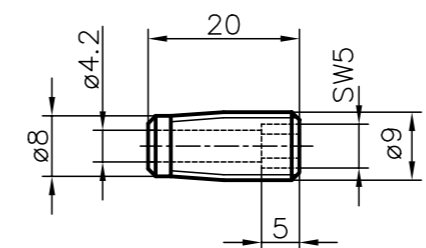
Base 45



Base 40



Base 30



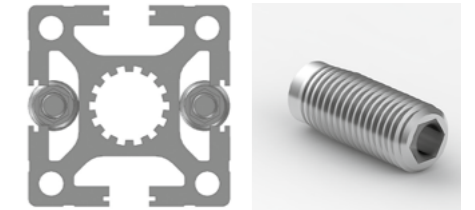
Connectors of different profile sizes on request

Application

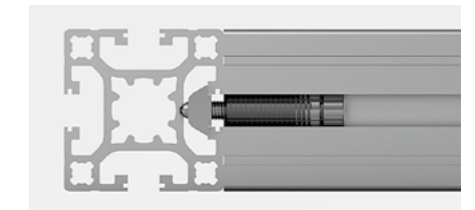
The extrusion does not need to be machined for this connection. This selfcutting threaded sleeve has a shank for an Allen key which is simply used to screw it into the longitudinal slot. The screw is mounted into the threaded sleeve in advance, thereby connecting the extrusion to the extrusion nuts in the counter extrusion. These can be installed afterwards. This stable connection, assembly is slightly more complex than with the PVS® standard connector. The prerequisite for this connection is access on both sides to the slots.

Note

The side slots are blocked by the connection. Panels would therefore have to be machined the site of the fasteners.

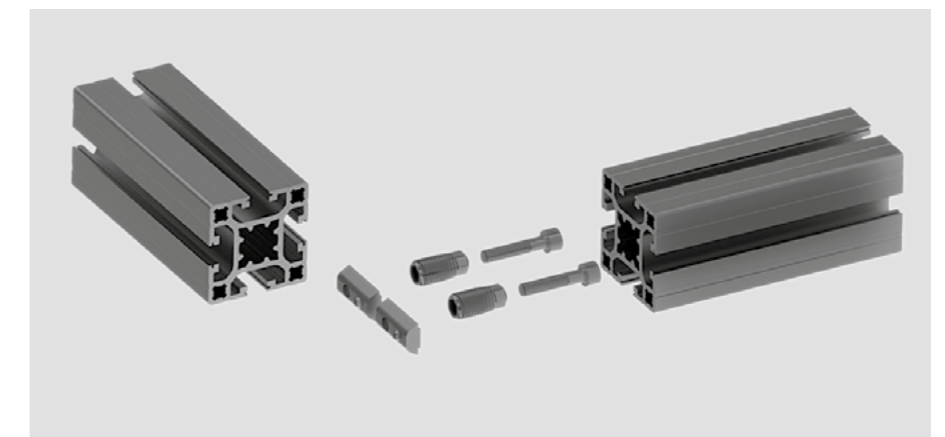


Selfcutting threaded sleeve



Built-in connector

Due to the direct transmission of force, the PVS®-direct connector is slightly higher in strength on thrust than our main connector. However, under moment loads, the groove can bend open. The base 30 is not optimally suited in terms of groove depth, as the thread insert protrudes slightly from the groove.



Parts supplied

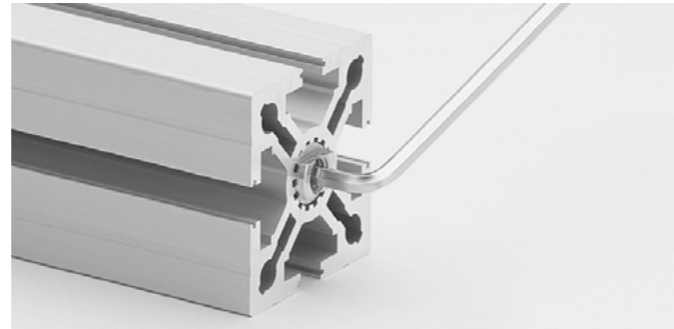
- 2 screws
- 2 threaded sleeves
- 1 double extrusion nuts (Base 30: 2 swivel in nuts)

Order data	Order number
Base 50	A33-90
Base 45	E33-90
Base 40	C33-90
Base 30	B33-90

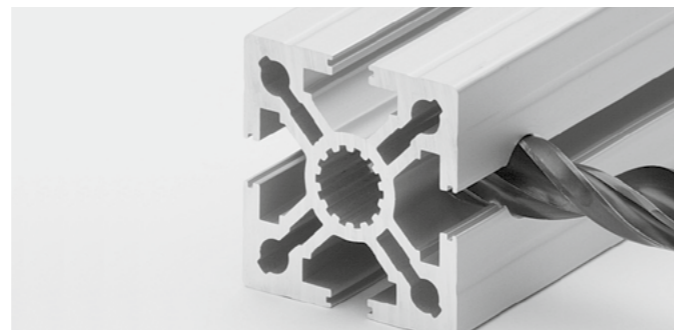
The Kanya connection technology

PVS®-SUPERLIGHT

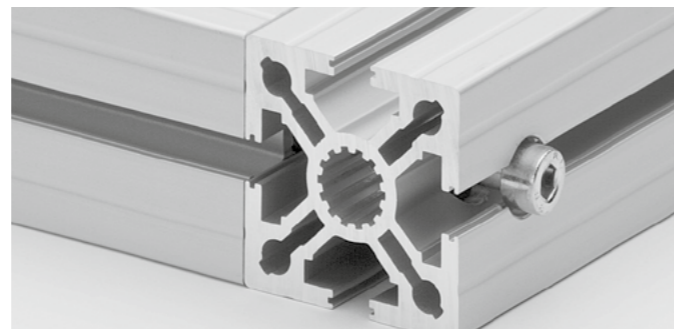
1. Insert the self-cutting threaded insert into the extrusion centre hole.



2. Drill a stepped hole into the extrusion.

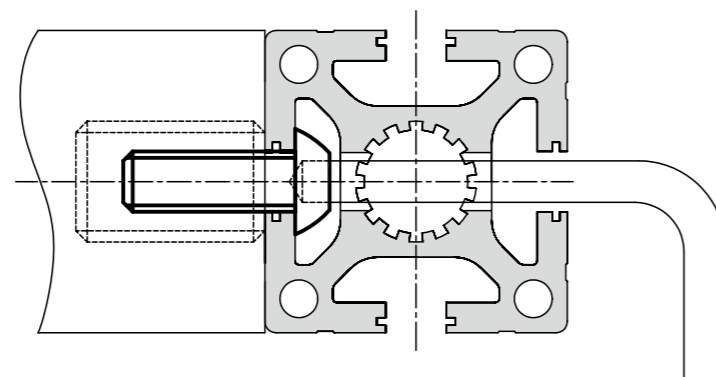


3. Tighten the socket-head cap screw – finished!

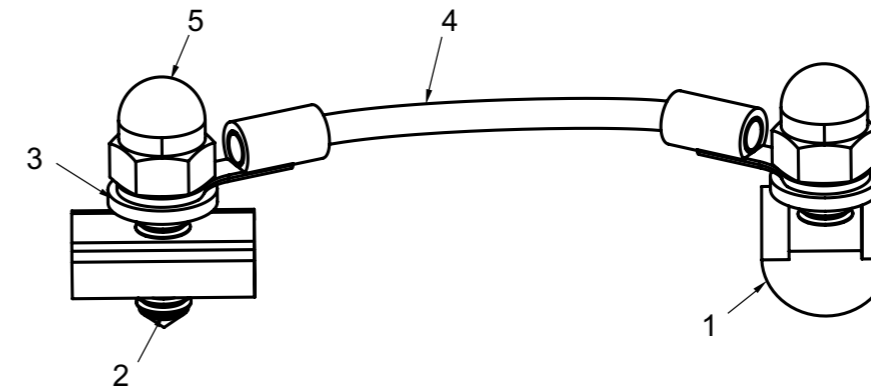


Note:

Instead of a stepped hole, you can also just drill a simple hole for the allen key and then insert a round-head screw into the counter slot.



Cable bridge for electrical conductivity



Application

If extrusions have to be electrically connected with other components, e.g. ESD, these connections can be realized with simple components.

We recommend the connectors with potential equalization (-P) for Kanya extrusions.

Parts supplied

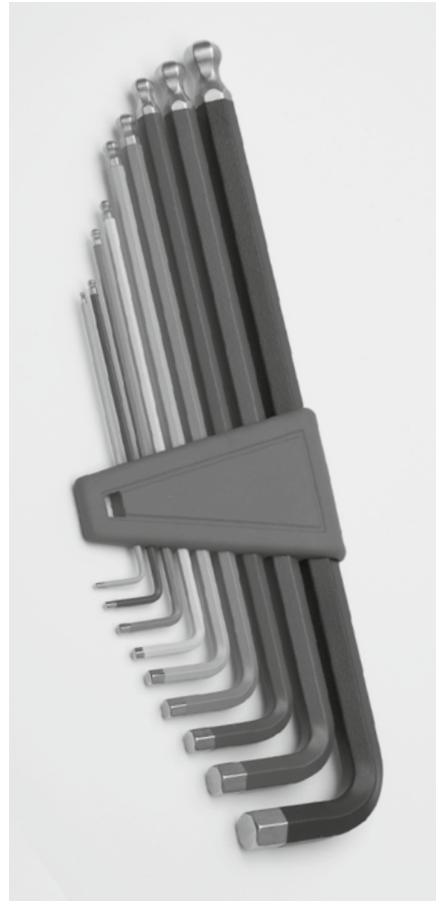
- 1 Swiveled extrusion nut (2)
- 2 grub screws with point (2x)
- 3 washers (2x)
- 4 cables with cable lug (1mm²) approx. 100mm (1x)
- 5 swiveling cap nuts (2x)

Order data	Order number
Cable bridge	
Base 30	B36-00
Base 40	C36-00
Base 45/50	AE36-00



Allen key

**Allen key set
SW 1.5 – 10**



Application
For all screw-in parts with hex key.

The ball-shaped ends allows it to screw into angular positions with the allen key. This is necessary for the function of the new patent PVS®-EASY connector.

**Kanya Allen key
SW 6**



Specification
Zinc-coated steel

**Allen key for
PVS® screw Safe**



Application
Special Allen key for the PVS® connectors with PVS® screw Safe M12x12.

Order data	Order number
------------	--------------

Allen key set SW 1.5 – 10	E97-5
------------------------------	-------

SW = wrench size

Order data	Order number
------------	--------------

KANYA Allen key SW 6 short	E97-1
KANYA Allen key SW 6 long	E97-2

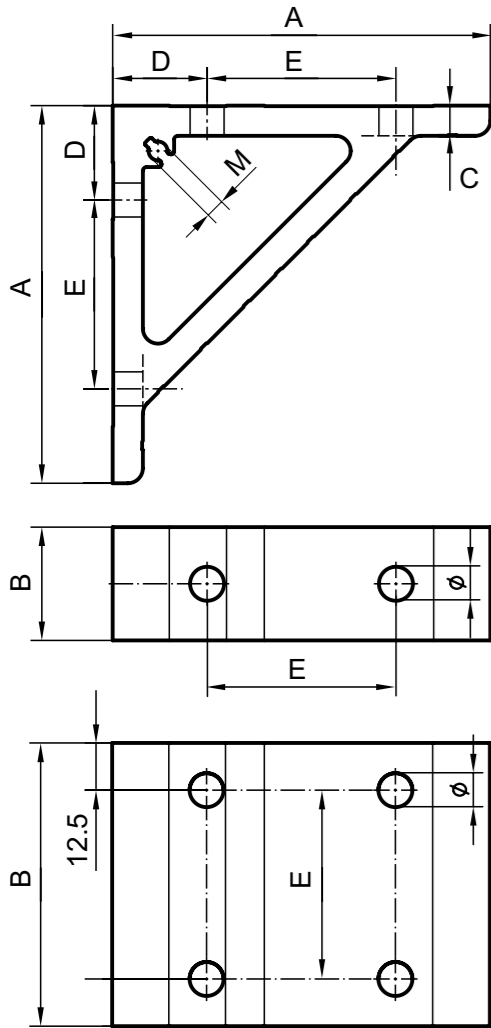
Order data	Order number
------------	--------------

KANYA Allen key for PVS® screw Safe	E97-2-S 125-80-S
--	---------------------



Accessories

Mounting brackets

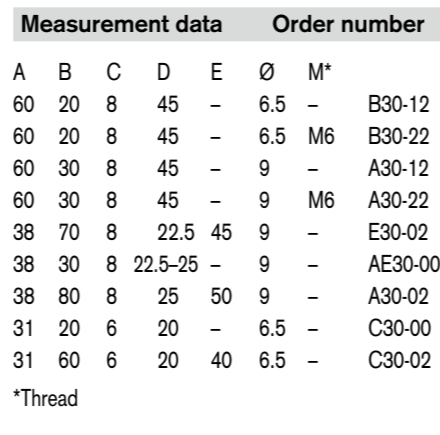
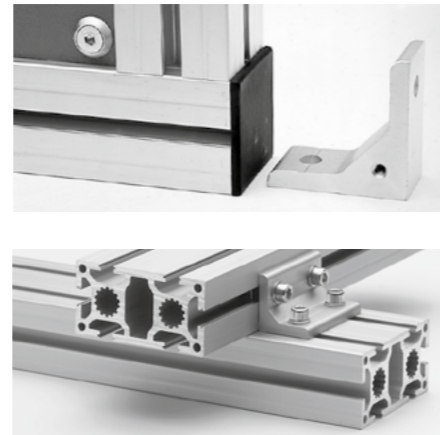
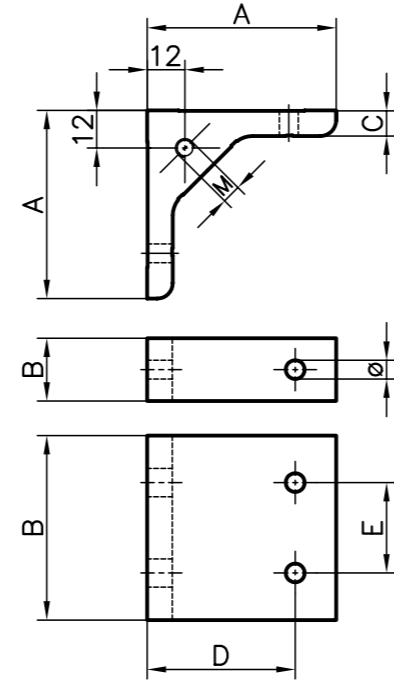
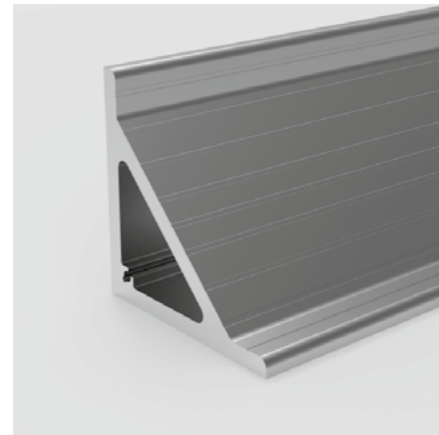


Application

Mounting brackets are simple joining parts which can also be used in combination with PVS®. They are used primarily for reinforcement.

Specification

Aluminium, matt, anodised in natural colours



Measurement data Order number

A	B	C	D	E	Ø	M*	Order number
100	30	8	25	50	9	-	A30-41
100	75	8	25	50	9	-	A30-42
100	30	8	35	55	9	-	A30-43
100	30	8	35	55	9	M6	A30-44
100	20	8	35	55	6.5	-	B30-43
100	20	8	35	55	6.5	M6	B30-44
70	25	5	20	40	6.5	-	C30-30
70	65	5	20	40	6.5	-	C30-32

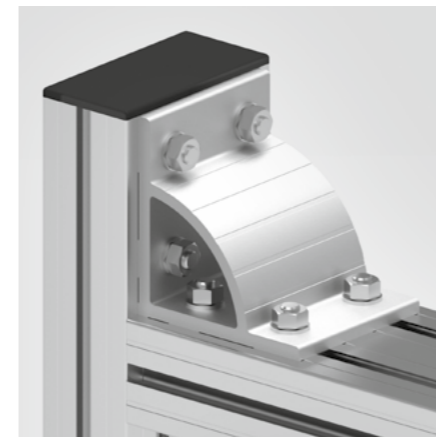
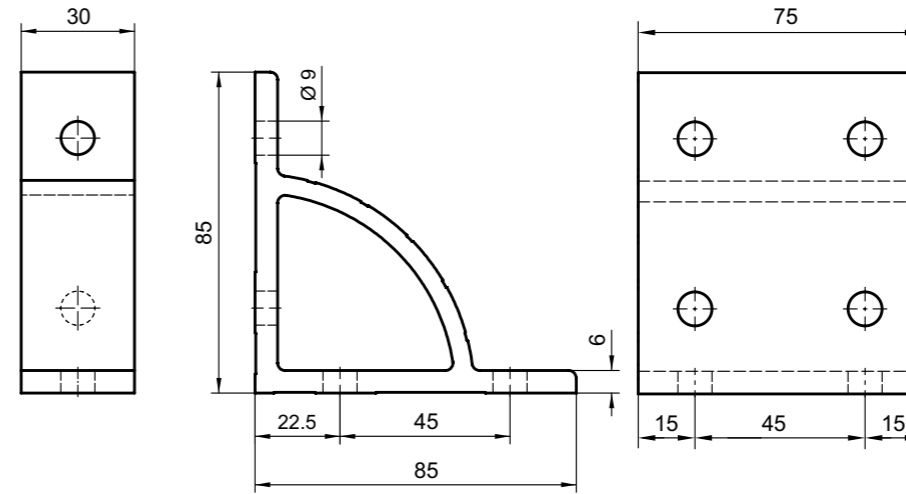
*insert

Measurement data Order number

A	B	C	D	E	Ø	M*	Order number
60	20	8	45	-	6.5	-	B30-12
60	20	8	45	-	6.5	M6	B30-22
60	30	8	45	-	9	-	A30-12
60	30	8	45	-	9	M6	A30-22
38	70	8	22.5	45	9	-	E30-02
38	30	8	22.5-25	-	9	-	AE30-00
38	80	8	25	50	9	-	A30-02
31	20	6	20	-	6.5	-	C30-00
31	60	6	20	40	6.5	-	C30-02

*Thread

Mounting brackets



Application

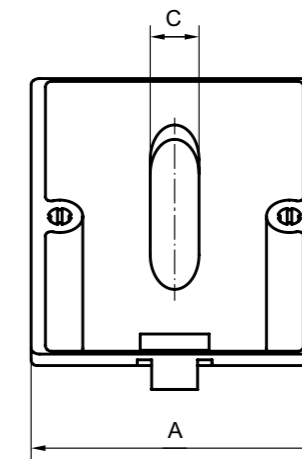
The bracket is aligned in the centre distances for base 45. The elegant support arch permits good access for tightening the bolts.

Specification

Aluminium, matt, anodises in natural colours

Order data Order number

Mounting bracket 85x85x30	E30-30
Mounting bracket 85x85x75	E30-32



Base	A	B	C
50	50	25	8.5
40	40	20	7

Brackets



Application

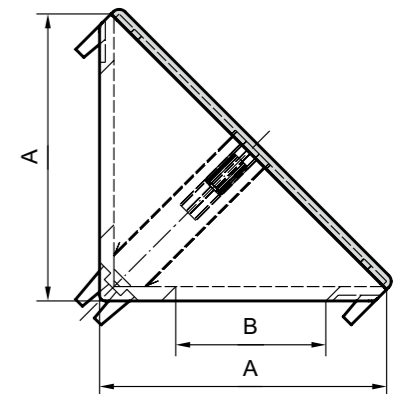
Due to its size, the small bracket can be mounted lengthwise, but also crosswise to the extrusion. The matching cover cap conceals the screws and also meets design requirements.

Specification

Die-cast zinc, grey powder-coated RAL 7035

Scope of delivery

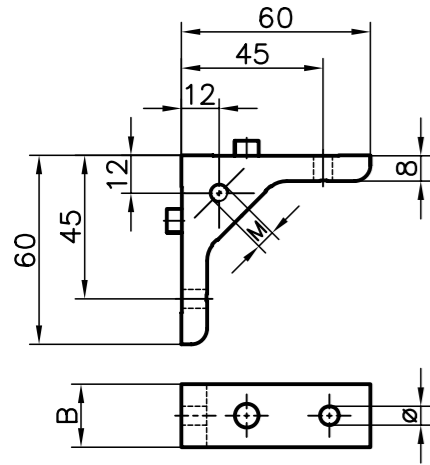
- 1 zinc die-cast angle
- 1 black plastic cover cap



Order data Order number

Bracket, Base 50	A25-10
Bracket, Base 40	C25-10

Mounting bracket and dowel



Application

The mounting bracket and dowel are used in any application where the extrusions are subjected to torsion but must not twist. A safe extrusion connection.

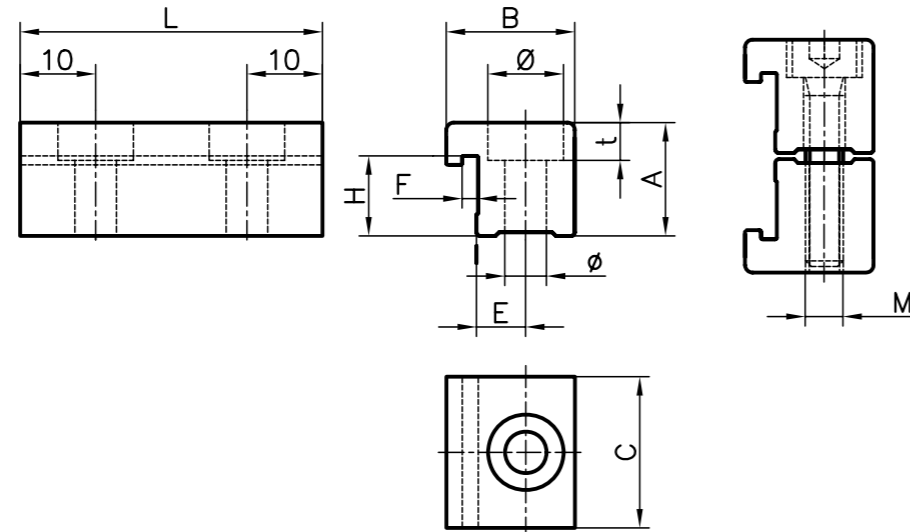
Specification

Aluminium, matt, anodised in natural colours



Measurement data	Order number
B Ø M	
30 9 -	A30-13
20 6.5 -	B30-13
30 9 M6	A30-23
20 6.5 M6	B30-23

Clamping block Base 50/40/30



Application

To connect two extrusions of base 30, 40 or 50 in parallel or crossing. Two blocks are required to create a parallel connection.

Specification

Aluminium anodised
Screw: Zinc-coated steel

Parts supplied

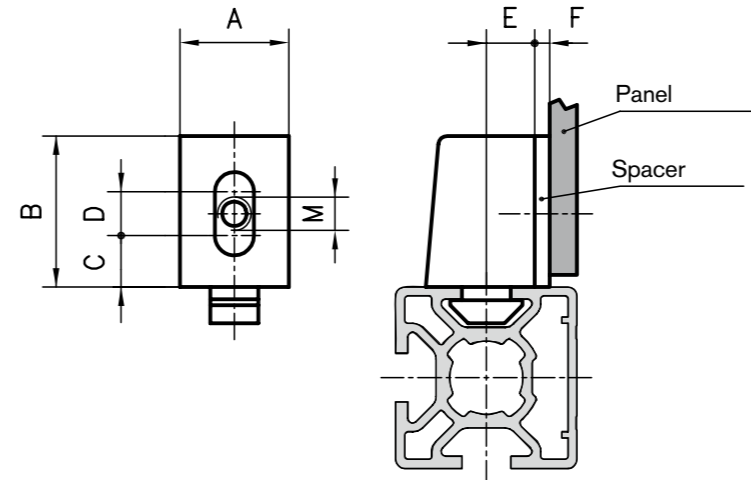
1/2 clamping block(s), screws threaded plates



Measurement data										
	A	B	C	E	F	H	L	Ø	t	Ø
Basis 30	15	17	20	6.5	2.1	10.6	50	10	5	5.5 M5
Basis 40	22	25	25	10	4	15.6	60	11	6.8	7.0 M6
Basis 50	27	25	25	10	4	20.6	70	11	6.8	7.0 M6

Order data	Order number
Extrusion base	50 40 30
Single clamping blocks	
Cross connection	A34-01 C34-01 B34-01
Parallel connection	A34-11 C34-11 B34-11
Double clamping blocks	
Cross connection	A34-02 C34-02 B34-02
Parallel connection	A34-22 C34-22 B34-22

Uniblock



Application

The uniblock is used to secure all sorts of panels in place. The uniblock can be attached to the extrusion without having to use any screws thanks to the attached anchor-head. The panel is then screwed to the uniblock. The captive square nut provides a large tolerance range. Different spacers can be used to give the required gap between the panel and the edge of the extrusion.

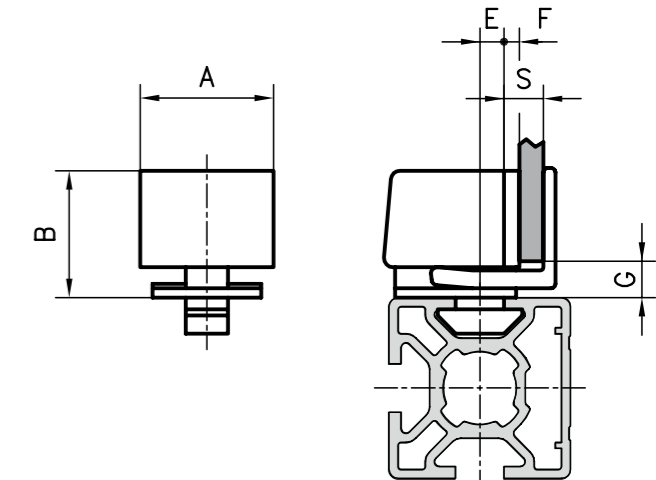
Specification

PA-GF, black, square nut, zinc-coated steel



Order data	Order number
A B C D E M	
Uniblock extrusion base 50 / 45	
19 25 7.5 9.5 16	M4 A30-94
	M5 A30-95
	M6 A30-96
Uniblock extrusion base 45 / 50	
19 25 7.5 9.5 11	M4 C30-94
	M5 C30-95
	M6 C30-96
Uniblock extrusion base 30	
19 25 7.5 9 6	M4 B30-94
	M5 B30-95
	M6 B30-96
Uniblock extrusion base 20	
12 16 5.5 4.5 5	M4 D30-94

Clamping block



Application

The clamping block can be used to mount panels to extrusions without any additional fixings. The panel is clamped in the block by means of a toothed slide, simply and without having to use a tool. Spacers can also be used in the clamping block to give the required gap between the panel and the edge of the extrusion.

Specification

PA6-GF30, black*
uv-resistant, grey

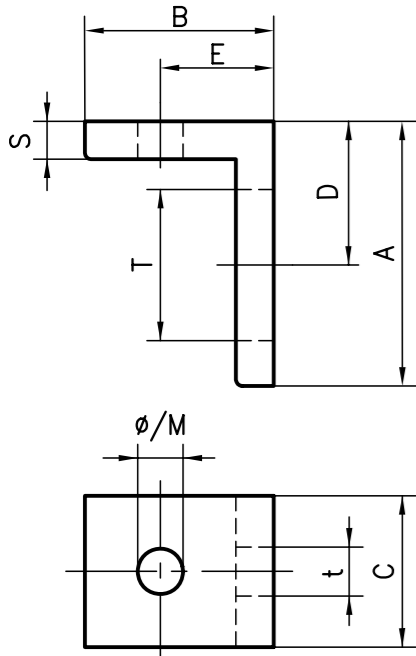


Order data	Order number
Spacers for extrusion base 50 / 45 / 40 / 30	
F = 2 mm (without holes)	A302-97
3 mm	A303-97
5 mm	A305-97
Spacers for extrusion base 20	
F = 1 mm (without holes)	D301-97
2 mm	D302-97
3 mm	D303-97
4 mm	D304-97

Order data	Order number
A B E G Smax.	
Clamping block extrusion base 50 / 45	
22 21 13.5 5 10	A30-90*
Clamping block extrusion base 40	
22 21 8.5 5 10	C30-90*
22 21 7 5 10	C30-91
Clamping block extrusion base 30	
22 21 7 5 10	B30-91
Spacer extrusion base 50 / 45 / 40 / 30	
F = 2 mm	A302-98
3 mm	A303-98
5 mm	A305-98

*Spacer only suitable for the articles A30-90 and C30-90.

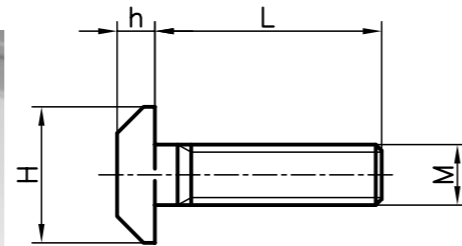
Attachment bracket



Application
The fixing angle is used to mount additional equipment, panelling, work tops, valves, electrical switchgear, etc. The advantage of these is that they are slotted on one side, allowing fine adjustment.

Specification
Aluminium, matt, anodised in natural colours

T-bolts



Application
T-bolts are used to fasten all types of components and are simple to insert, even after assembly. The anti-twist shape is a help during assembly.

Specification
8.8 steel, zinc-coated

Scope of delivery
Screw, hexagonal nut, washer



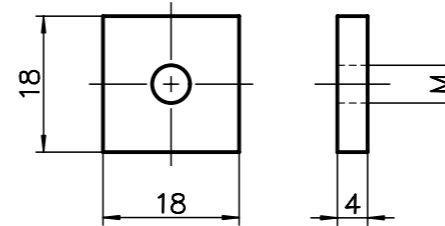
Order data									Order number	
A	B	C	D	E	S	Txt	Ø	Thread	Through-hole Ø	Thread
45	45	20	25	25	5	20x6.5	6.2	M6	A30-76	A30-86
35	25	20	19	15	5	20x6.5	4.2	M4	A30-54	A30-64
35	25	20	19	15	5	20x6.5	5.2	M5	A30-55	A30-65
35	25	20	19	15	5	20x6.5	6.2	M6	A30-56	A30-66
25	25	15	14	15	4	13.5x6	3.2	M3	B30-53	B30-63
25	25	15	14	15	4	13.5x6	4.2	M4	B30-54	B30-64
25	25	15	14	15	4	13.5x6	5.2	M5	B30-55	B30-65
25	25	15	14	15	4	13.5x6	6.2	M6	B30-56	B30-66

Further dimensions on request

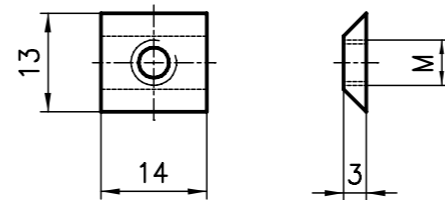
Threaded plates

Threaded plates

Extrusion base of 50 / 45 / 40



Extrusions base of 30 and 20



Application
For attaching components which are anything up to medium weight. Threaded plates must be inserted into the front-end of the extrusion slots.

Specification
Threaded plates: Zinc-coated / stainless steel
Base 50/45/40 supporting cage: PP
Base 30 spring steel retaining spring

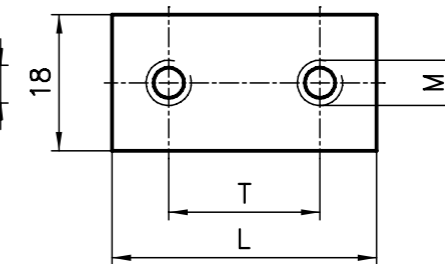


Order data		Order number	
Thread M	Extrusions base	50 / 45 / 40	30 / 20
M3	-		B32-30 (-I)
M4	AC32-40 (-I)		B32-40 (-I)
M5	AC32-50 (-I)		B32-50 (-I)
M6	AC32-60 (-I)		B32-60 (-I)
M8	AC32-80 (-I)		B32-80 (-I)*

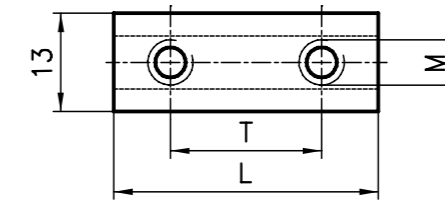
(-I=Inox) * No full torque possible.

Double threaded plates

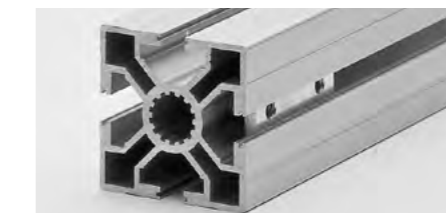
Extrusions base of 50 / 45 / 40



Extrusions base of 30 and 20



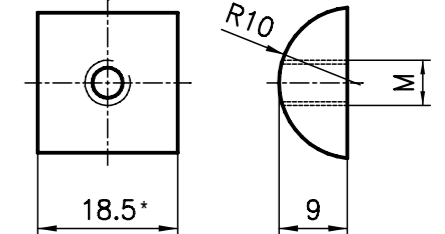
Application
The M6 double extrusion nuts are used for attaching hinges, M5 is used for arrester plate.



Order data		Order number		
Double extrusion nuts	Thread M	Extrusions base	50 / 45 / 40	30 / 20
M5		A32-58		B32-58
M6		A32-68		B32-68

Halfround threaded plates Base 50

Extrusions base of 50



Application
Halfround threaded plates can only be used with 50 mm base extrusions. These plates are only available threaded M10.

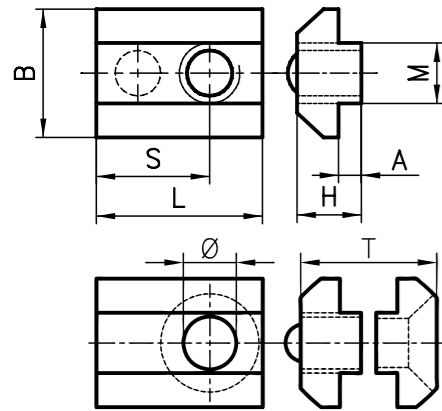
Specification
zinc-coated steel



Order data		Order number	
Halfround threaded plates	Thread M	Extrusions base	50
M6		A32-61	
M8 *		A32-81	
M10		A32-91	

* 25 mm

Extrusion nuts Clamping nuts



Measurement data

Extrusion base	B	H	L	S	A	T	Ø
50	18	12.2	25	15	2.8	-	-
45	20	9	20	14	1	-	-
40	17	8	22	15	2.8	-	-
50/50	18	12.2	25	15	2.8	23	6.5
50/40	18	12.2	25	15	2.8	23	6.5
40/40	17	8	25	15	2.8	19	6.5

Application

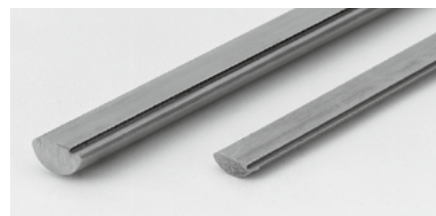
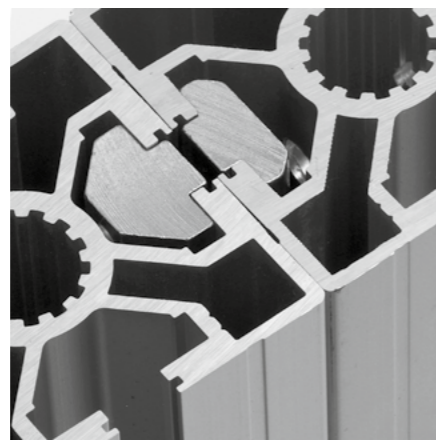
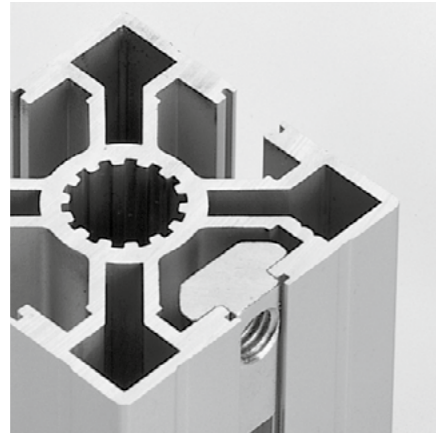
The extrusion nut is recommended for securing heavy components with high tightening torques. Threaded plates and extrusion nuts are inserted before assembly into the end of the extrusion slots.

Specification

zinc-coated steel

Order data **Order number**

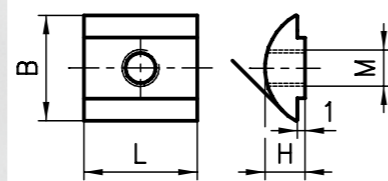
Extrusion nuts Thread M	Extrusion base		
	50	45	40
M6	A32-63		C32-63
M8	A32-83	E32-83	C32-83
M10	-	E32-93	C32-93
Clamping nuts			
	50/50	50/40	40/40
M6	A32-69	A32-69	C32-69



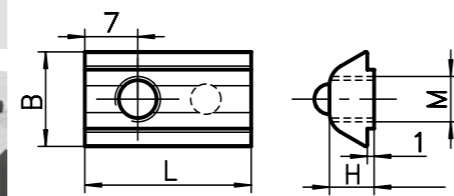
* no full torque possible (l=Inox)

Swivel in nut

Extrusion base 50/45/30



Extrusion base 40



Measurement data

Extrusion base	B	H	L
50/45	14	7.8	20
40	12.5	5.9	22
30	11	4.1	20

Application

The advantage of the swivel in nut is that they can also be inserted diagonally into the extrusion slots. The disadvantage is that the tightening torques >12 Nm may result in dents in the aluminium extrusion. Raw steel bars are available if you wish to machine special nuts.

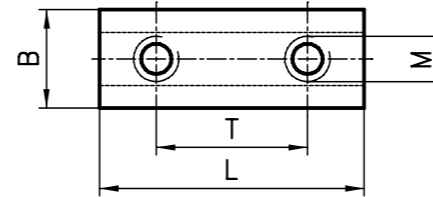
If these nuts are tightened to a torque > 10Nm, they meet the ESD guidelines for use with lightweight extrusions.

Order data **Order number**

Swivel in nut Thread M	Extrusion base		
	50/45	40	30
M4	A32-45	C32-45	B32-45 (-l)
M5	A32-55 (-l)	C32-55 (-l)	B32-55 (-l)
M6	A32-65 (-l)	C32-65 (-l)	B32-65 (-l)
M8	A32-85 (-l)	C32-85 (-l)	B32-85* (-l)

Extrusion (raw)			
Swivel in nut			
1.5 m	A32-52	C32-52	B32-52
Heavy nuts			
1.5 m	A32-12	C32-12	

Double extrusion nuts Hammer nuts



Measurement data

Double extrusion nuts						
Extrusion base	B	H	L	T	M	
50 (ball)	18	12.2	80	50	M8	
40 (ball)	17	8	60	40	M8	
50/45	14	7.8	48	33	M6	
40 (ball)	13.6	5.9	38	28.7	M6	

Swivel in double extrusion nuts

Extrusion base	B	H	L	T	M
50/45	14	7.8	40	30	M6
40 (ball)	13.6	5.9	40	30	M6
30	11	4.1	40	30	M6
30	11	4.1	30	18	M4

Application

Double extrusion nuts should be used with PVS® threaded connectors where extremely high strength joints are required. Swivel in double extrusion nuts are used for the assembly of hinges (page 195) and quick-release fasteners (page 204).

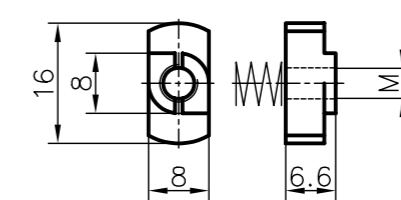


Order data **Order number**

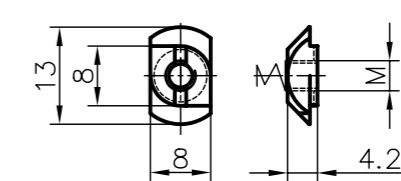
Double extrusion nuts Thread M	Extrusion base		
	50	40	30
M8	A32-84	C32-84	-
Swivel in double extrusion nuts			
M6	A32-67*	C32-67	B32-67
M6	A32-36*	C32-36	-
M4	-	-	B32-47

* for base 50+45

Base 50/45/40



Base 30/20



Application

The hammer nut can be subsequently inserted into the profile slot. The nuts can be spaced close together because they are only 8 mm wide. However, their load-bearing capability is clearly lower than those of threaded plates and extrusion nuts.

Specification

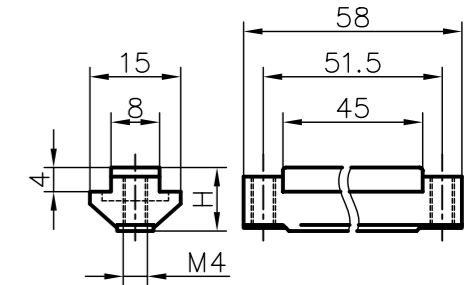
Zinc-coated steel; retaining springs: spring steel



Order data **Order number**

Thread M	Extrusion base	
	50/45/40	30/20
M3	AC31-35	BD31-35
M4	AC31-45	BD31-45
M5	AC31-55	BD31-55
M6	AC31-65	BD31-65

Magnet nuts



Application

The magnetnuts can be inserted into the extrusions of the base 50 and 40 on the open cross section. They can be fixed on position with 2 small screws. With the magnet-nuts you can do a flat door fixing, fixing of metal housing or use it for holding tools.

Specification

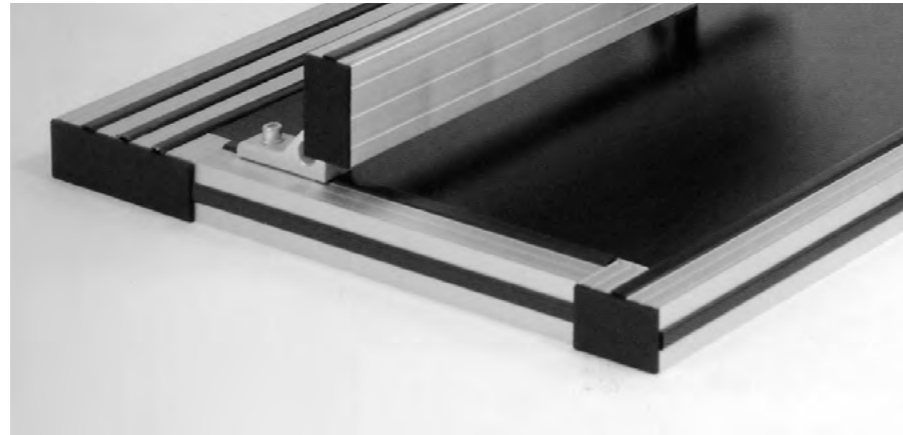
Surround: plastic
Screws: zinc-plated
Magnet: zinc-plated
Operating temperature: up to 80 ° C



Order data **Order number**

Magnet nuts	
Extrusion base 50	A32-86
Extrusion base 40	C32-86

End caps



Application

End caps are used as covers for the exposed ends of extrusions. They prevent injury from the sharp edges of the extrusions. Special centring elements make them easy to fix and prevent the caps from twisting. Two end caps can be used together to cap off larger extrusions, eg extrusion 80x120 uses two 40x120 end caps.

Specification

PA-GF, black / -G grey

Extrusion	Cap height
Base of 50/45/40	4 mm
Base of 30/20	3 mm



Order data	Order number	
------------	--------------	--

End caps	50x50	A40-10 (-G)
End caps	50x50	A40-19 (Profil A19-1)
End caps	50x45°	A40-80
End caps	50x100	A40-20 (-G)
End caps	50x150	A40-30
End caps	55x55	A40-55 (Profil A19-5)
End caps	100x100	A40-50 (-G)

End caps	45x45	E40-10
End caps	45x90	E40-30
End caps	90x90	E40-50
End caps	45x45	E40-83 (Profil E03-1)

End caps	40x40	C40-10 (-G)
End caps	40x40	C40-83 (Profil C03-8)
End caps	40x45°	C40-80 (Profil C02-8)
End caps	40x45°	C40-84 (Profil C04-4)
End caps	40x80	C40-30 (-G)
End caps	40x120	C40-90
End caps	40x120-G	C40-12 (Profil C08-4)
End caps	80x80	C40-40 (-G)
End caps	16x40	C40-81 (Profil C08-1)
End caps	20x80	C40-82 (Profil C08-2)
End caps	45x45	C40-45 (Profil C19-5)

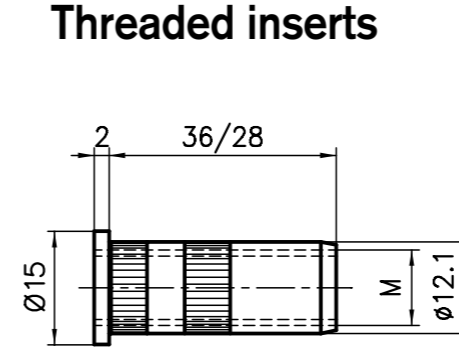
Order data	Order number	
------------	--------------	--

End caps	30x30	B40-30 (-G)
End caps	30x30	B40-80 (Profil B01-8)
End caps	30x30°	B40-33
End caps	30x45°	B40-45
End caps	30x60°	B40-66

End caps	30x50	B40-90 (-G)
End caps	30x60	B40-60 (-G)
End caps	30x95	B40-50
End caps	30x100	B40-20
End caps	30 8-Kt.	B40-15
End caps	60x60	B40-65

End caps	20x20	D40-30 (-G)
End caps	20x20	D40-80 (Profil D03-8)
End caps	20x40	D40-60
End caps	20x50	D40-50

Threaded inserts



Application

The threaded insert, which is manufactured with an external knurl, is inserted into a 12 mm hole across the line of the extrusion, enabling levelling feet and casters to be fixed to horizontal extrusions.

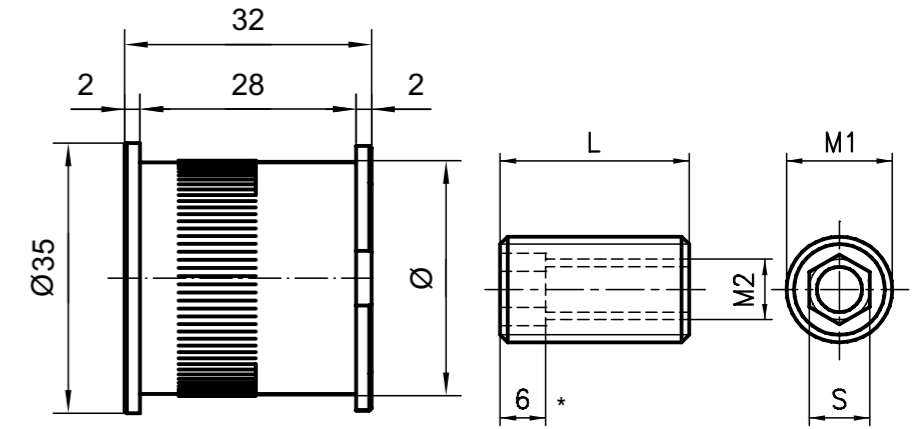
Specification

Zinc-coated steel



Order data	Order number	
------------	--------------	--

Thread M	Extrusion base	
	50/45/40 (L=36)	30 (L=28)
M10	C33-20	B33-20
M8	C33-22	B33-22

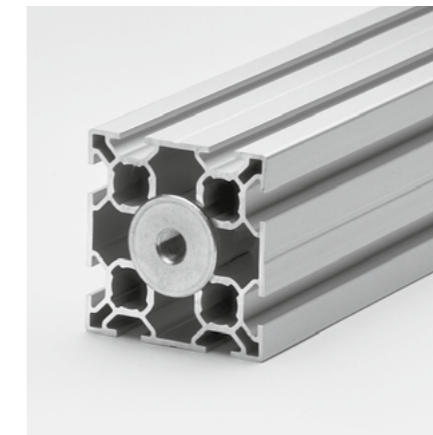


Application

Once the threaded insert has been pressed into the front side of extrusions B02-6/C03-4/, levelling feet or casters can be attached.

Specification

Raw aluminium



Order data	Order number	
------------	--------------	--

Thread	M	D	L	Extrusion base	
				B02-6	C03-4
M10	ø 24.6	30	B33-60	-	
M14	ø 24.6	30	B33-64	-	
M16	ø 30	30	-	C33-16	

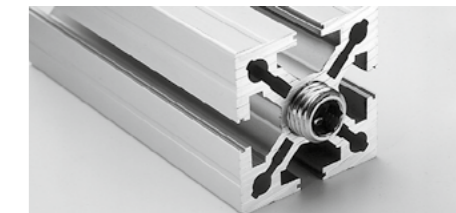
Application

The screw-in threaded insert is primarily used to take levelling feet and casters or to fix end panels or base plates in place.

Note that there is no thread around * the hexagon socket.

Specification

Zinc-coated steel

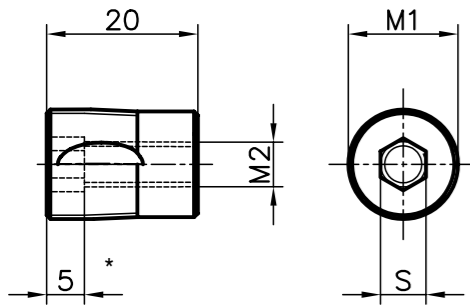


Order data	Order number	
------------	--------------	--

Thread	M1	M2	S	L	Extrusion base	
					50/45/40	30
M16	M12	12	25	A33-12		
M16	M10	10	25	A33-20 (-I)		
M16	M8	8	25	A33-28 (-I)		
M16	M6	6	25	A33-26		
M14	M10	10	25		B33-21 (-I)	
M14	M8	8	25		B33-28	
M14	M6	6	25		B33-26	

(-I=Inox)

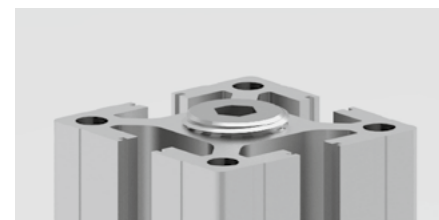
Self-cutting threaded insert



Application
The self-cutting threaded insert has the advantage that no machining is required in order to attach elements on the face. Connections subject to tensile stress are primarily only ideal. This means that attaching levelling feet or casters is not recommended.

Note that there is no thread around * the hexagon socket.

Specification
Zinc-coated steel

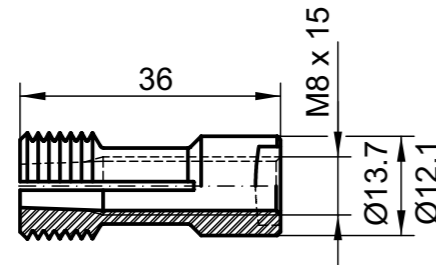


Order data Order number

Self-cutting *			Extrusion base	
Thread	M1	M2	S	
	M1	M2	S	50/45/40 30
	M14.5	M6	6	A33-06
	M14.5	M8	8	A33-08
	M14.5	M10	8	A33-10
	M13	M5	6	B33-05
	M13	M6	6	B33-06
	M13	M8	8	B33-08

* Not suitable for casters/levelling feet

Expanding sleeve



Application
The expanding sleeve is used to create a thread in the centre hole of the cross section. Hammering it in and clamping it with the expansion screw in the cross-section results an M8x15mm.

Tightening torques
Expanding screw:
min. 10Nm, max. 12Nm

Specification
Zinc-coated steel

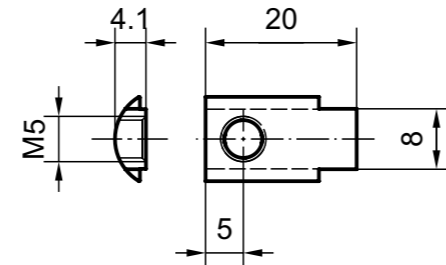
Parts supplied
Expanding sleeve, expanding screw



Order data Order number

Extrusion base 40, 45, 50 (core drilling Ø13.7)	A20-00
Extrusion base 20 and 30 (core drilling Ø12.1)	B20-00

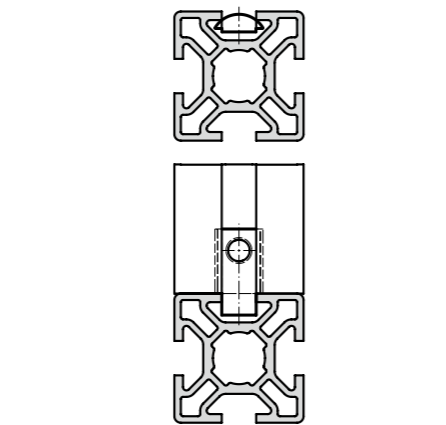
Anti-twist spigots



Application
For all extrusions which are assembled with a PVS® connector and which must not twist. The spigot can also be fitted to existing extrusions (does not apply to 20x20 extrusions).

Specification
Zinc-coated steel

Parts supplied
Spigot, adjusting screw

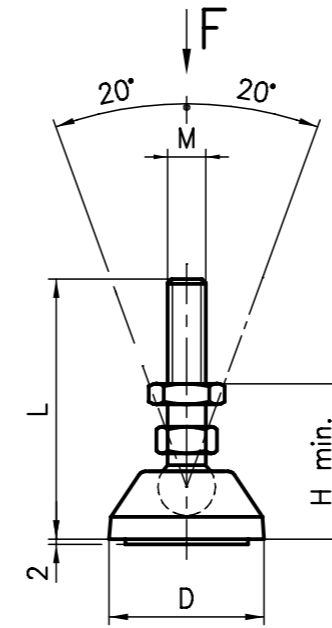


Order data Order number

50/45/40	30/20
Anti-twist spigots	AC29-01 BD29-01

Levelling feet

Levelling feet



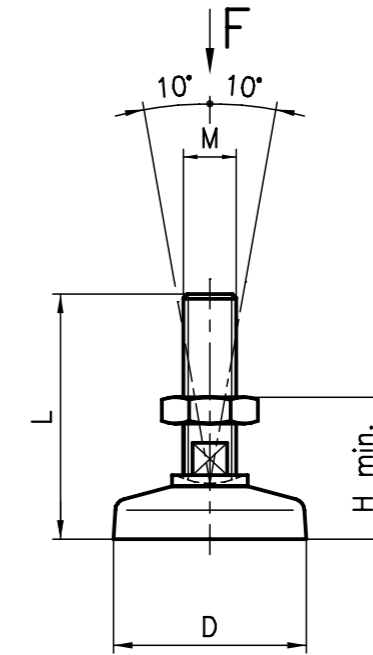
Specification
Cup: glass-filled Polyamide (PA-GF) black
Bolt/locknut: 8.8 steel, zinc-coated
Anti-slide pad: NBR rubber



Order data Order number

MxL	D	H	F	
M6x57	19	20	500 N	B43-02
M10x75	29	35	2000 N	B43-10
M10x75	39	35	3000 N	B43-11
M10x75	49	37	3000 N	B43-12
M16x155	39	38	8000 N	B43-16

Other dimensions or special feet are available on demand.



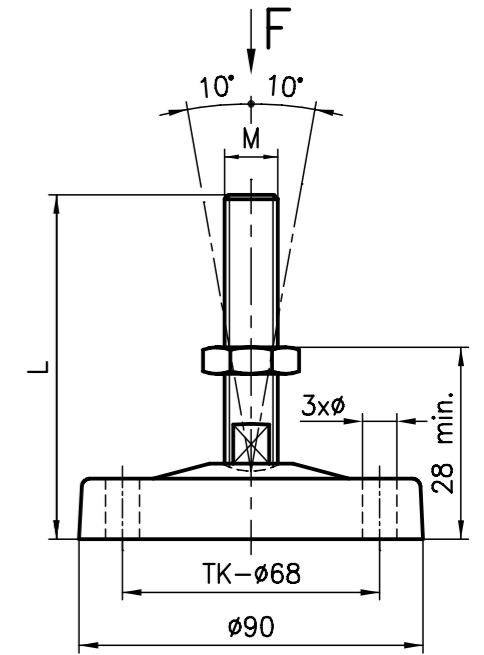
Application
These continuously variable levelling feet are used for many different applications. The cup is attached in such a way as to compensate for uneven floors.

Specification
Cup: PA-GF black
Bolt/locknut: 8.8 steel, zinc-coated

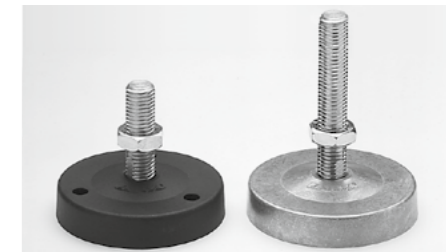


Order data Order number

MxL	D	H	F	
M10x70	50	30	2500 N	B42-50
M10x122	50	30	2500 N	B42-00
M14x65	50	25	3000 N	B42-54
M14x115	50	25	3000 N	B42-14
M16x65	50	25	3500 N	B44-50
M16x115	50	25	3500 N	B44-00



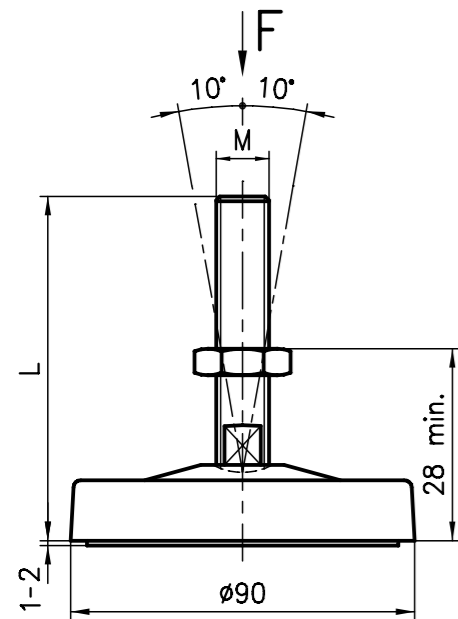
Specification
Cup: PA-GF black or aluminium
Bolt: 8.8 steel, zinc-coated



Order data Order number

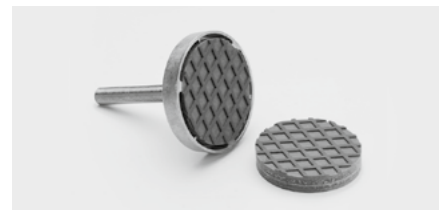
MxL	Ø	F	PA-GF	
M14x70	9	4000 N	B45-54	
M14x120	9	4000 N	B45-14	
M16x70	9	5000 N	B45-50	
M16x120	9	5000 N	B45-00	
M14x70	9	8000 N		Aluminium B45-55
M14x70	-	8000 N		B45-56
M14x120	9	8000 N		B45-03
M14x120	-	8000 N		B45-04
M16x70	9	10'000 N		B45-51
M16x70	-	10'000 N		B45-52
M16x120	9	10'000 N		B45-01
M16x120	-	10'000 N		B45-02

Levelling feet with shock absorbers



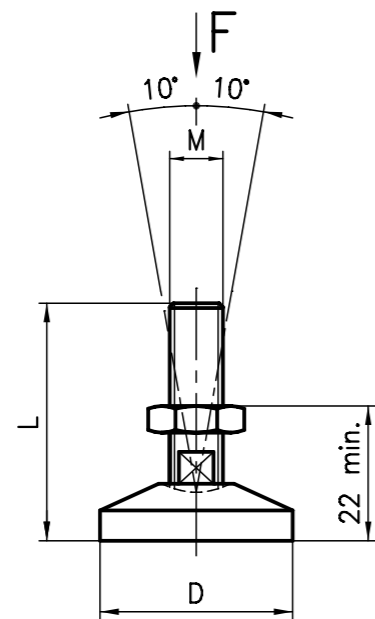
Application
The aluminium levelling foot is available with a special shock absorber insert. This ensures that vibrating structures sit securely on the floor.

Specification
Cup: aluminium
Roundel: \varnothing 80x18
Multi-layer, non-slip, vibration-absorbent, composite structure.
Bolt: 8.8 steel, zinc-coated



Order data	Order number	
MxL	F	
M14x70	5000 N	B45-56-D
M14x120	5000 N	B45-04-D
M16x70	5000 N	B45-52-D
M16x120	5000 N	B45-02-D

Electrically conductive levelling feet



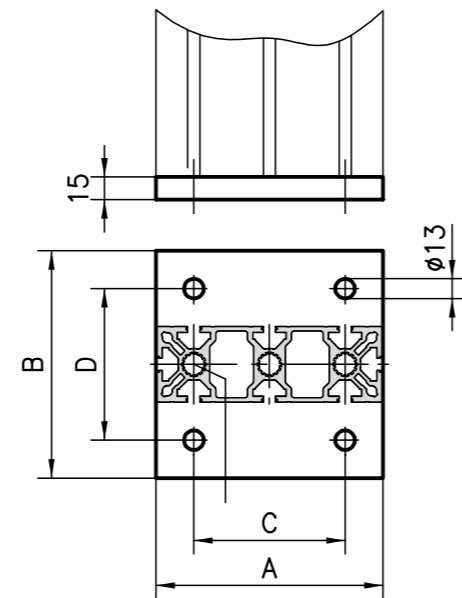
Application
It is essential to use these levelling feet in applications where electrostatic charges must be earthed. (See also PVS connectors with electrical bonding)

Specification
Cup: aluminium raw
Bolt: aluminium raw



Order data	Order number	
MxL	D	F
M14x65	30	3000 N
M16x115	50	3500 N
M16x115	30	3500 N

Base plates



Application
When structures are subjected to heavy loads, structural stability is extremely important. The solid steel base plate meets this requirement in every respect, guaranteeing a high level of safety.

Specification
Steel, gunmetal finish

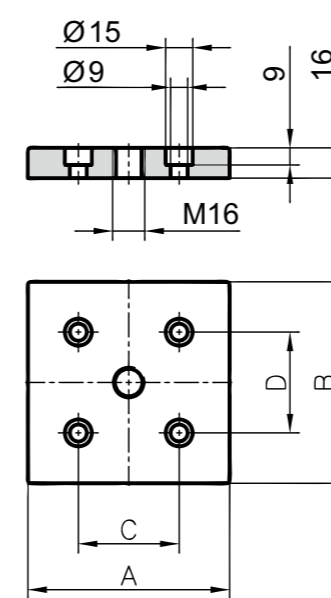
Fixing kit*
Bolt(s) M16x30



Order data	Order number				
Extrusion	A	B	C	D	
50x50	150	50	120	-	A47-50*
50x150	150	150	100	100	A47-70*
100x100	200	100	150	70	A47-80*
40x40	120	40	90	-	C47-40*
80x80	150	80	120	50	C47-80*

* Fixing kit: add -S to the order number
Example: A47-50-S

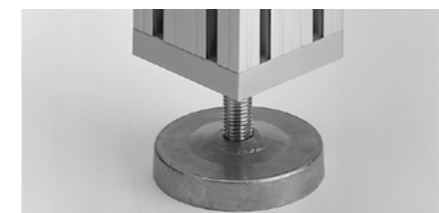
Foot plates



Application
For use with extrusions without a central core hole when fixing levelling feet and casters.

Specification
Zinc die-cast, galvanised

Fixing kit*
Screws and threaded inserts

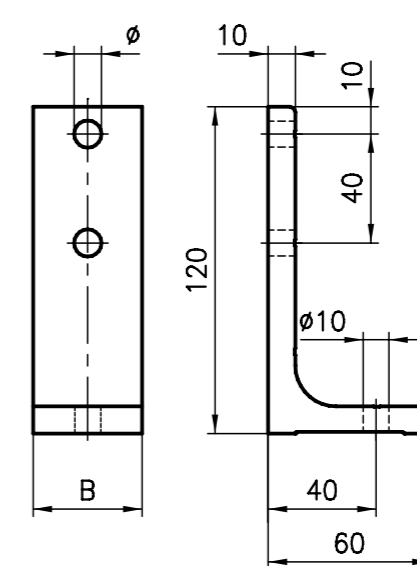


Order data	Order number				
Extrusion	A	B	C	D	
100x00	100	100	50	50	A80-20*
90x90	90	90	45	45	E80-20*
80x80	80	80	40	40	C80-20*
45x90	45	90	-	45	E80-24*
40x80	40	80	-	40	C80-24*

* Fixing kit: add -S to the order number
Example: A80-20-S

Other dimensions on demand.

Floor bolting bracket



Application
A floor bolting bracket is used when a system has been aligned and has to be bolted to the floor. It is very easy to use because its height can be adjusted in the extrusion slot and the bracket can be easily secured to the floor using anchor bolts.

Specification
Aluminium, anodised in natural colours

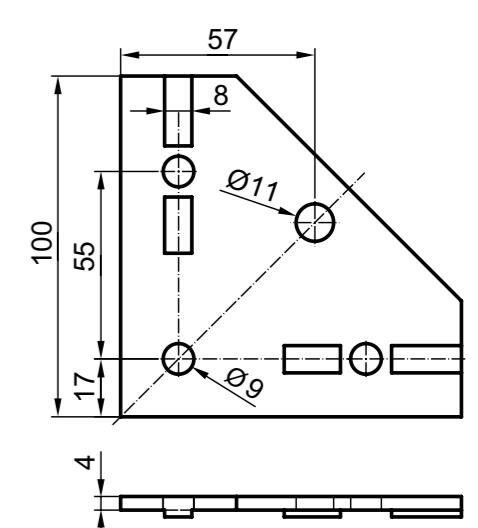
Fixing kit*
2 screws, 2 threaded plates, 2 washers



Order data	Order number		
Extrusion base	B	\varnothing	
50/45/40	40	8.5	A47-00*
30	30	6.5	B47-00*

* Fixing kit: add -S to the order number
Example: A47-00-S

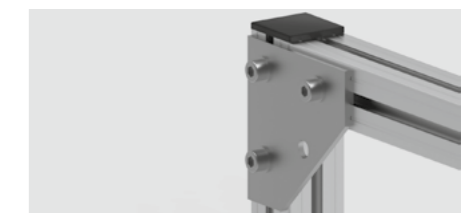
Gusset plate



Application
With the gusset plate you create a reinforced connection of 2 extrusions. The punched beads position the extrusion. In the middle hole swivel castors can be mounted offset inwards.

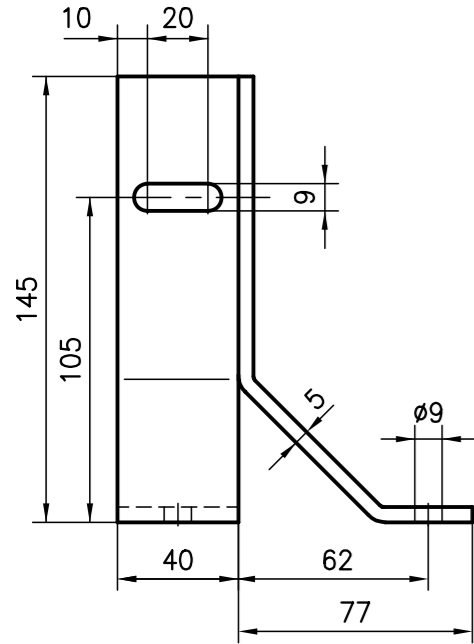
Specification
steel, blue galvanised

suitable for base 40/45/50



Order data	Order number
Gusset plate 100x100x4	C30-50

Double bolting bracket



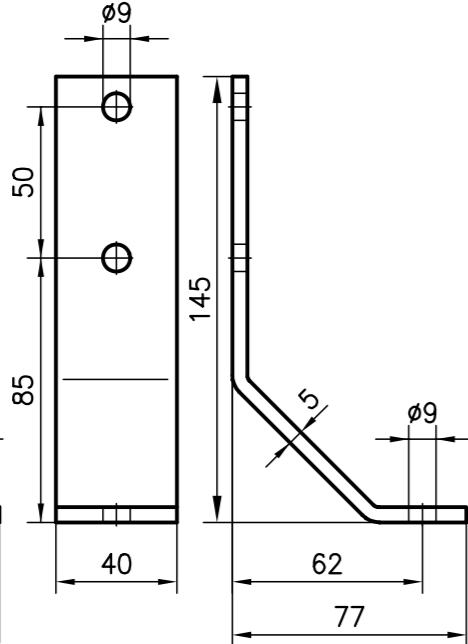
Application
An advance on the normal floor bolting bracket, with the added advantage that it can be used together with large levelling feet (Ø 90). The double bolting bracket also secures the supporting extrusions in two directions.

Specification
Steel, powder-coated in black



Order data	Order number
Double bolting bracket	A47-20(-S)*

Single bolting bracket



Application
For easy fixing to the floor. As with the double bolting bracket, this single bolting bracket can be combined with a levelling foot.

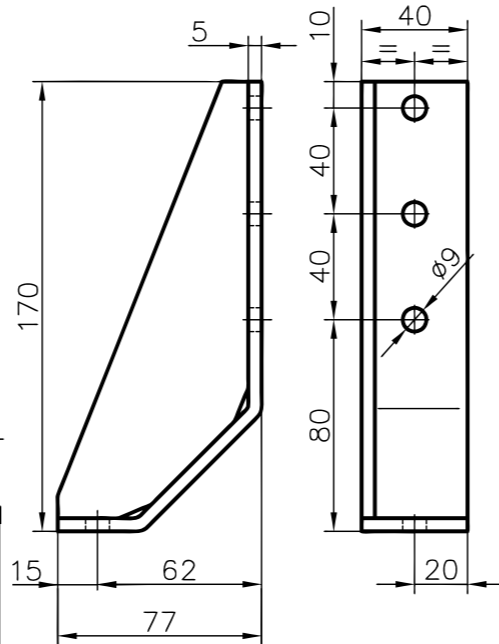
Specification
Steel, powder-coated in black

Fixing kit*
2 screws
2 (3) threaded plates
2 washers

*Fixing kit: add -S to the order number

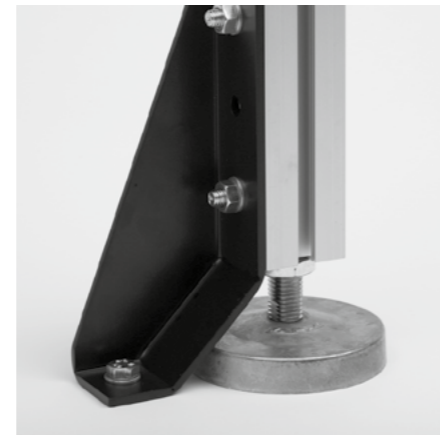
Order data	Order number
Single bolting bracket	A47-21(-S)*

Single bolting bracket reinforced



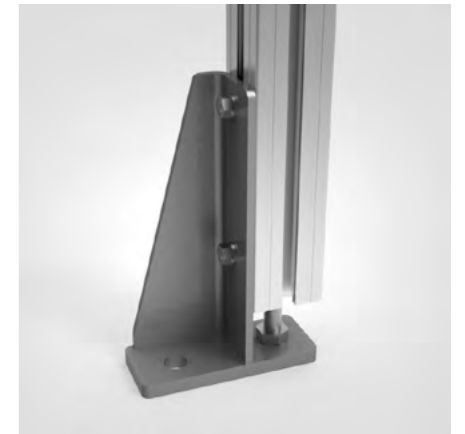
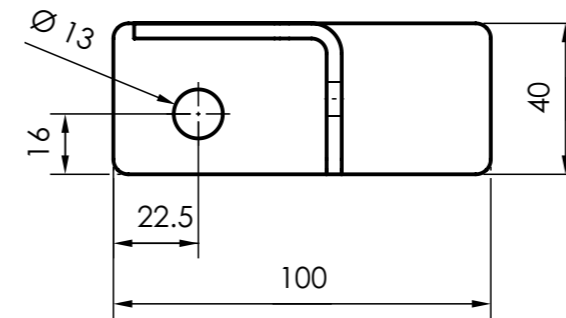
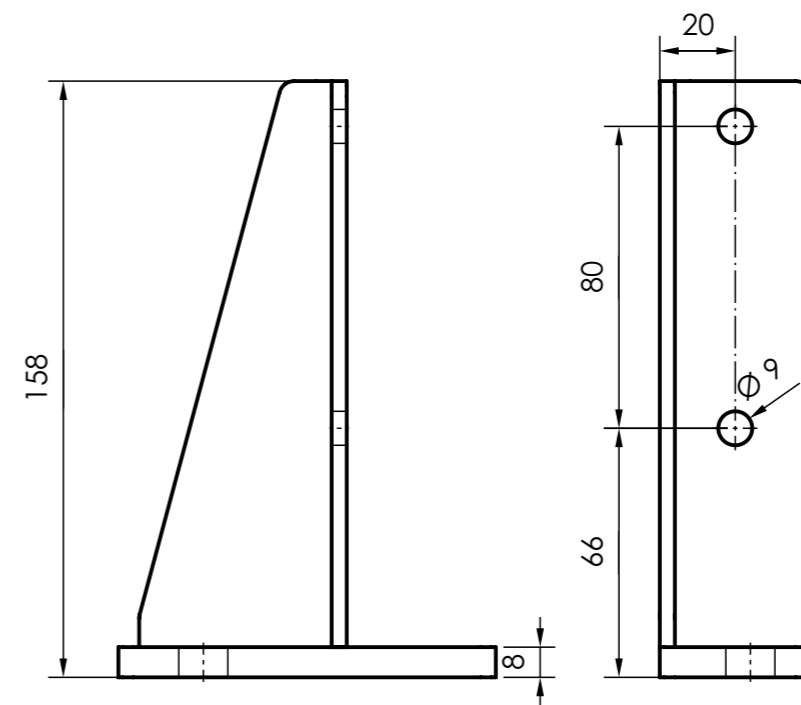
Application
Same as the aluminium floor bolting bracket with the added advantage that it can be used together with large levelling feet Ø90.

Specification
Steel, powder-coated in black



Order data	Order number
Single bolting bracket	A47-22(-S)*

Ground anchoring bracket



Application
The ground anchoring bracket enables simple floor mounting of 40x40 and 40x80 aluminium extrusion including levelling option.

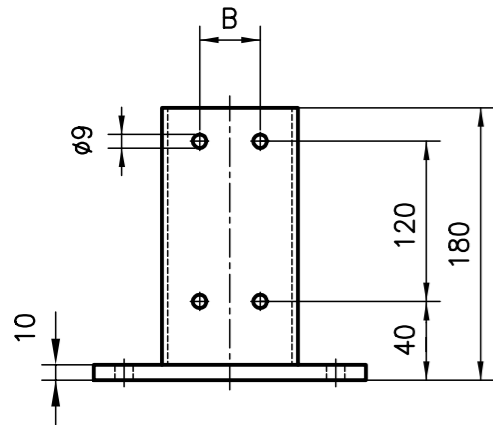
Specification
Steel, grey powder-coated

Fixing kit*
2 T-bolts
1 levelling screw M10x60
1 threaded insert A33-20

*Fixing kit: add -S to the order number

Order data	Order number
Ground anchoring bracket	C47-31(-S)*

Leg bolt-down socket

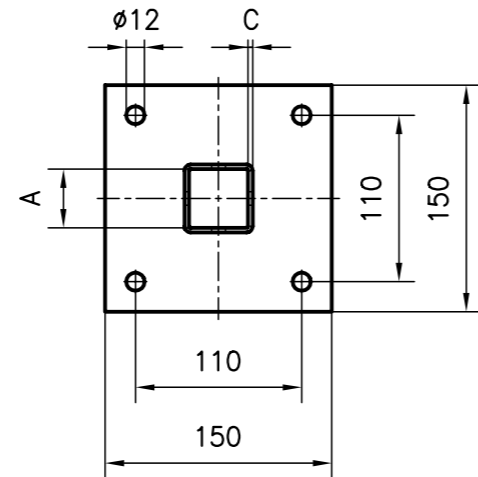
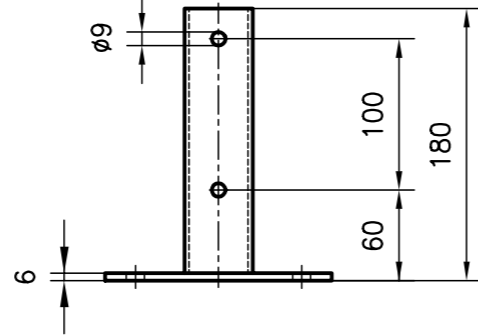
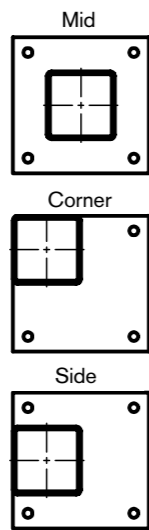
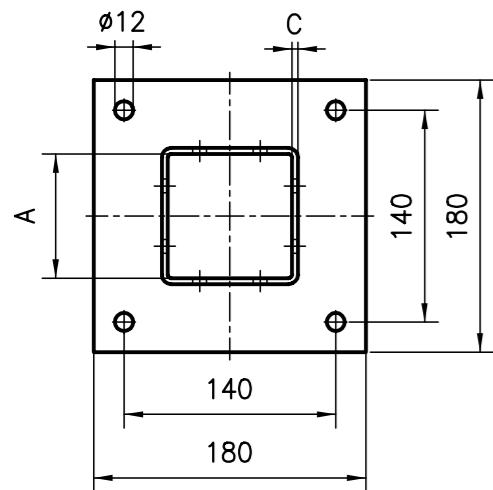


Application

The bolt-down socket is used in applications where the legs have to be very firmly secured to the ground. The extrusion can be adjusted easily within the guide socket and can be secured in place using the fixing kit included. The bolt-down socket should be chosen, from the three available, to suit the space available.

Specification

Steel, powder-coated in black



Fixing kit* (applies to all types)

8 cylinder screws, 8 threaded plates
8 washers

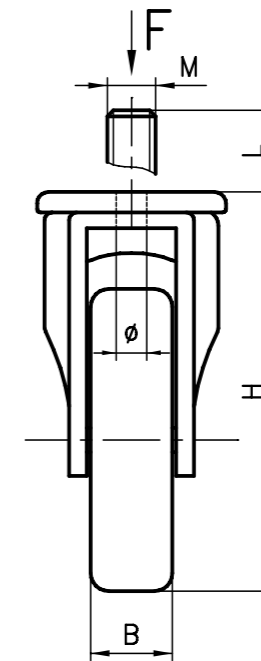
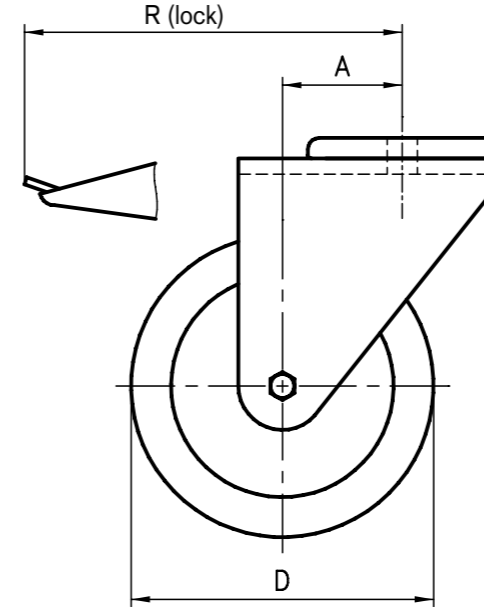


Fixing kit* (applies to all types)

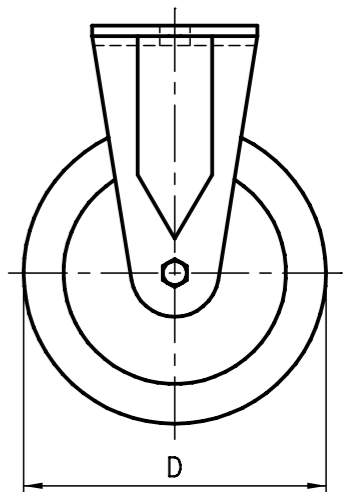
4 cylinder screws, 4 threaded plates,
4 washers

Order data	Order number	Order data	Order number
Extrusion 80x80	A B C Type 82 40 4 Middle C47-36 Corner C47-37 Side C47-38	Extrusion 40x40	A B C Type 41 - 2 Middle C47-32 Corner C47-33 Side C47-34
*Fixing kit	C47-36-S	*Fixing kit	C47-32-S
Extrusion 90x90	A B C Type 92 45 4 Middle E47-36	Extrusion 50x50	A B C Type 52 - 4 Middle A47-32 Corner A47-33 Side A47-34
*Fixing kit	E47-36-S	*Fixing kit	A47-32-S

Castors



Non-swivel castors



Application

Can be used in any application where mobility is required. There are four diameters of wheels available (with or without locks) depending on the load capacity required. Swivel and non-swivel castors have the same load capacity. (F)

The castors can be simply attached to the extrusions either with an M10 bolt or by means of an M16 / 14x25 threaded stud. Range of application -17° to +60°C

Specification

Fork: Zinc-coated steel,
Ball bearing
Wheel: Rubber tyre 87° Shore,
Ball bearing
with «fender» made of POM light gray



Order data	Order number	Order data	Order number
Castor	D B H A R ϕ / MxL F no lock with lock 50 18 69 24 72 ϕ 10.3 400 N B48-50 B49-50	Castor	D B H ϕ / MxL 75 25 98 ϕ 11 B48-77*
Castor	50 18 69 24 72 M14x25 400 N B48-54 B49-54	Castor	75 25 98 M14x25 B48-78*
Castor	75 25 100 24 85 ϕ 10.3 700 N B48-75 B49-75	Castor	100 32 135 ϕ 11 B48-107
Castor	75 25 100 24 85 M14x25 700 N B48-74 B49-74	Castor	100 32 135 M16x25 A48-108
Castor	100 32 135 44 118 ϕ 10.3 800 N B48-100 B49-100	Castor	125 32 160 ϕ 12 B48-127
Castor	100 32 135 44 118 M16x25 800 N A48-100 A49-100	Castor	125 32 160 M16x25 A48-128
Castor	100 37 124 36 118 M16x25 1200 N A48-101* A49-101*		
Castor	125 32 160 40 118 ϕ 10.3 1000 N B48-125 B49-125		
Castor	125 32 160 40 118 M16x25 1000 N A48-125 A49-125		

For load of >800N we recommend castors with PO-wheels.

Castors with PO-Wheels and other sizes, heavy duty and anti-static castors are available on request.

* PO wheels

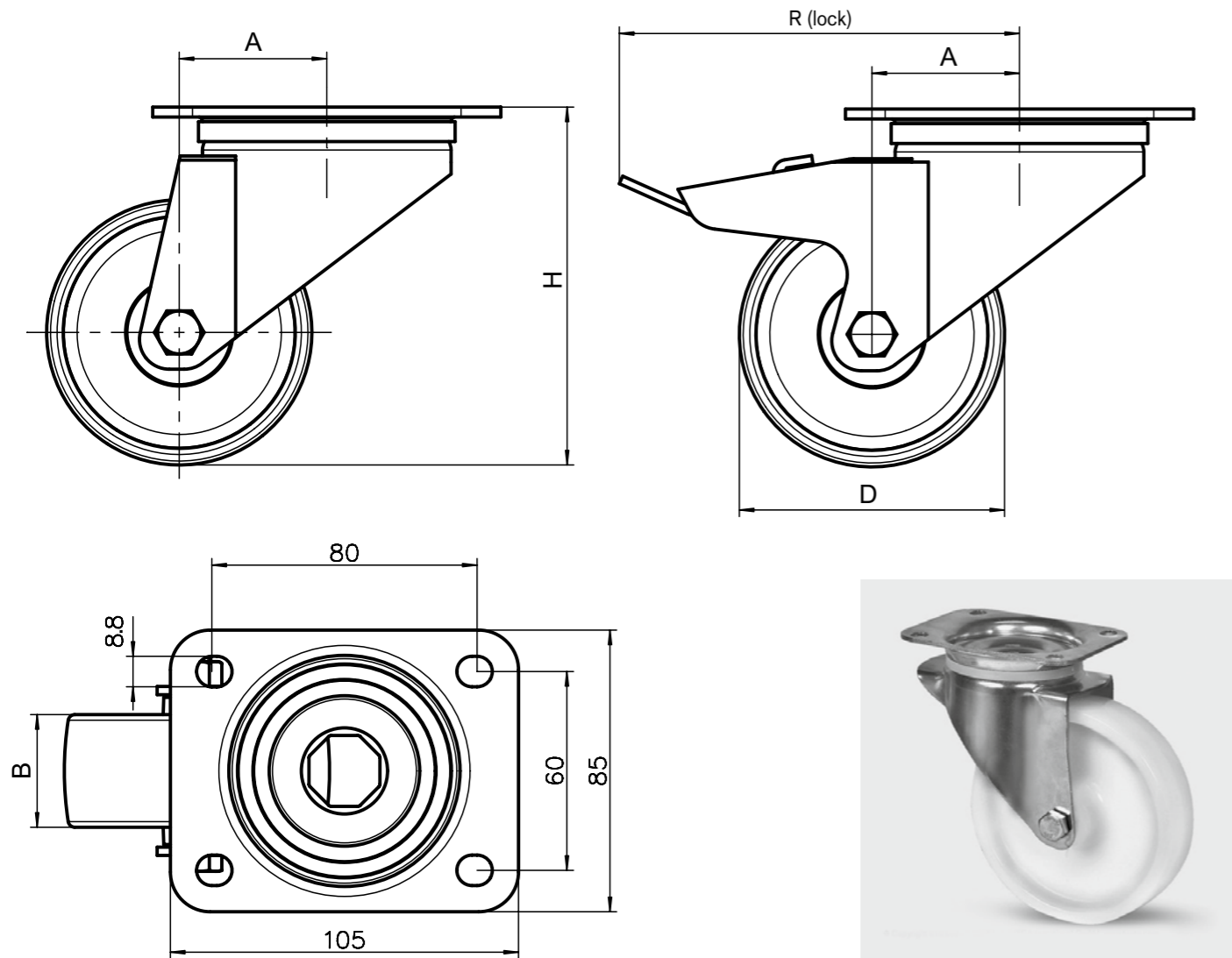
Order data	Order number
Non-swivel castors	D B H ϕ / MxL 75 25 98 ϕ 11 B48-77*
Non-swivel castors	75 25 98 M14x25 B48-78*
Non-swivel castors	100 32 135 ϕ 11 B48-107
Non-swivel castors	100 32 135 M16x25 A48-108
Non-swivel castors	125 32 160 ϕ 12 B48-127
Non-swivel castors	125 32 160 M16x25 A48-128

*incl. washer of 2 mm

Load data F for non-swivel castor:

ϕ 75 = 750N
 ϕ 100 = 1000N
 ϕ 125 = 1000N

Casters with backplate



Application

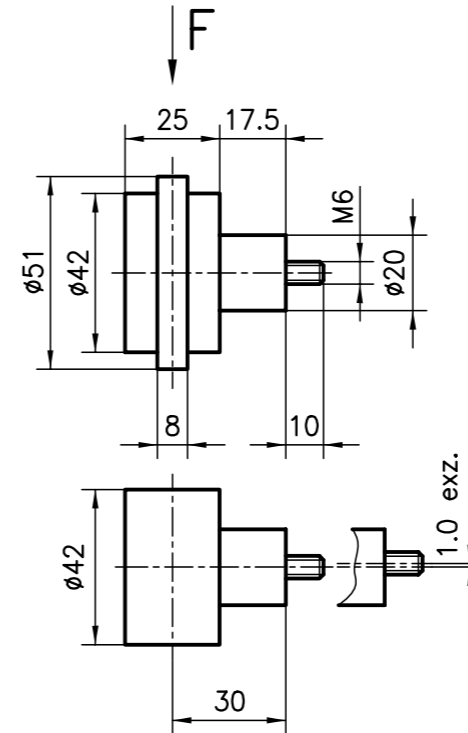
These casters with backplate can be screwed directly into the extrusion slot. Can even be used on workstations or storage racks, any application where mobility is required.

Specification

Fork: zinc-coated steel, ball bearing
 Wheel: PO, ball bearing

Order data		Order number						
D	B	H	A	R	F	no lock	with lock	
Castor	80	33	108	44.5	115	2000N	B48-80	B48-81
Castor	125	40	160	50	120	3500N	B48-126	B49-126

Rollers



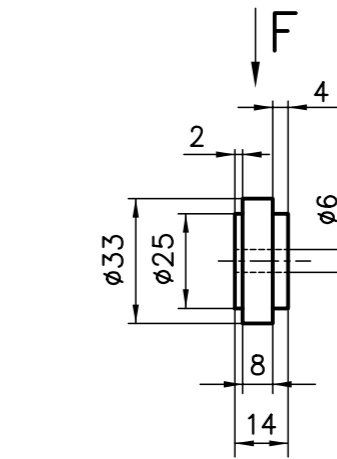
Application

This roller is suitable for heavy sliding doors, as a wheel for workpiece holders or for general structures which have to move freely. Insert the guide flange into the extrusion slot. Fit the flat roller onto the other side. This creates the perfect trolley/rail combination independent of the extrusion tolerance.

Specification

Plastic roller, ball bearing mounted, steel spacer, gunmetal finish
 Radial load
 F = 500 N

Order data	Order number	
	Centric	Eccentric
Roller with guide flange	C48-00	C48-01
Roller without guide flange	C48-10	C48-11

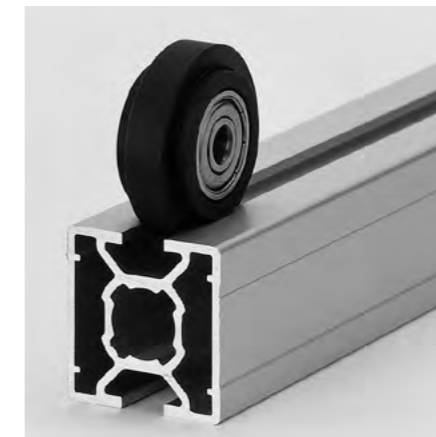


Application

This ball bearing-mounted roller is mainly used in an assembly with the trolley extrusion, although it can also be attached directly to any extrusion.

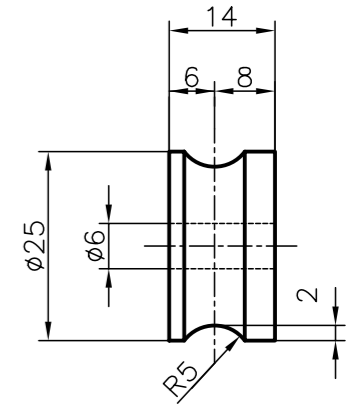
Specification

PA 6 black
 2 deep groove ball bearings with cover disks
 F = 150 N



Order data	Order number
Roller PA	B48-05

Concave roller



Application

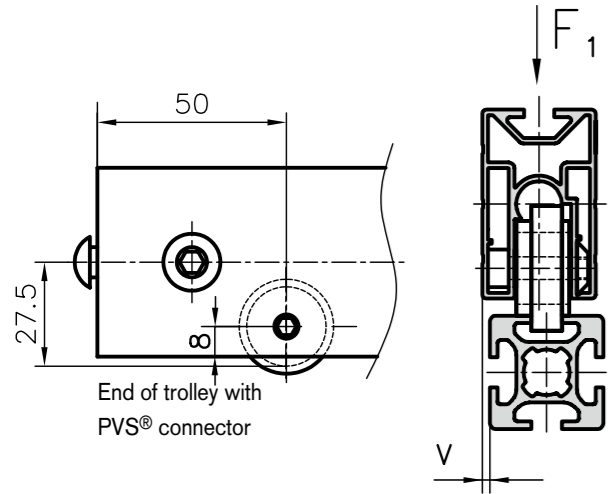
This ball bearing-mounted roller is mainly used in an assembly with the trolley extrusion. It can however also be attached directly to any extrusion. The corresponding aluminium guide extrusion type B19-8 is used to produce an inexpensive roller guide in next to no time.

Specification

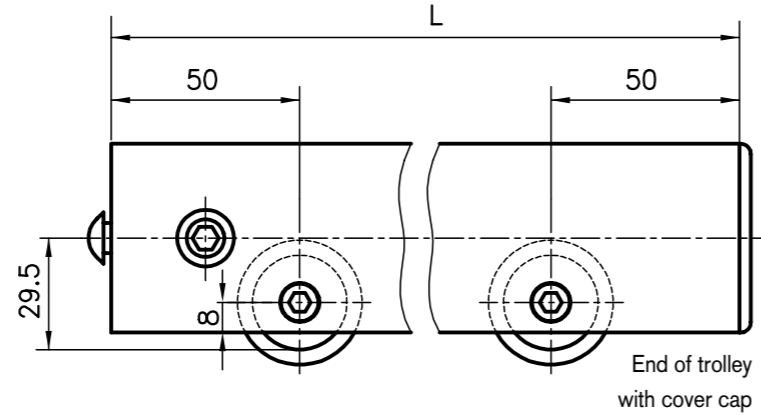
Plastic PA 6 black
 2 deep groove ball bearings with cover disks
 F = 150 N

Order data	Order number
Roller, concave	B48-10

Concave double-wheeled trolley



Double-wheeled trolley



Application

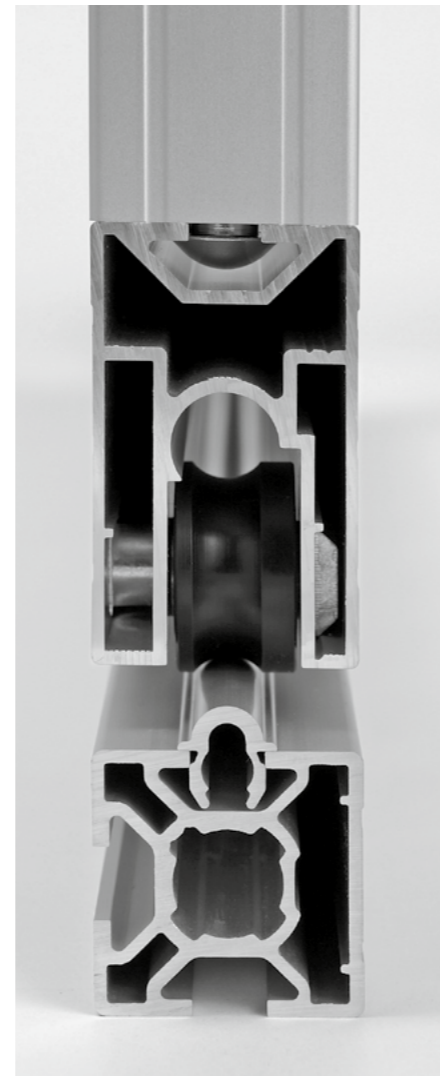
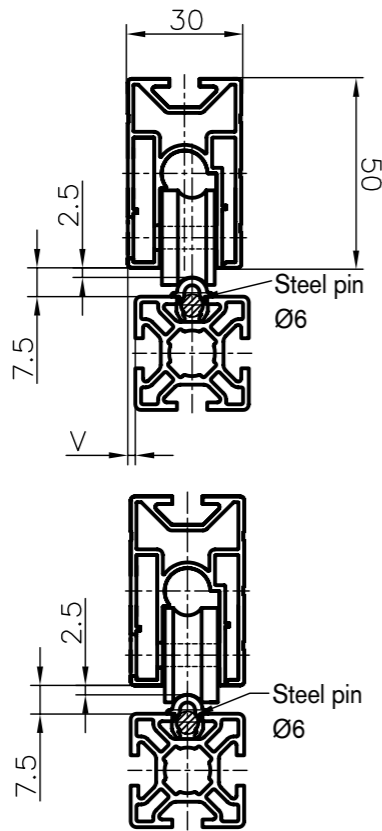
A wide range of different applications is possible with the double-wheeled trolley. It provides a simple and mechanically reliable way of creating equipment chassis, sliding doors, lifting devices etc. Any lengths of extrusion can be used. However, the spaces between rollers should not exceed 1000 mm for large trolleys. Trolleys are also available with more than 2 rollers.

Using the concave rollers, together with the aluminium extrusion guide B19-8 on page 122, it is easy to produce easy cleaning guides.

Parts supplied

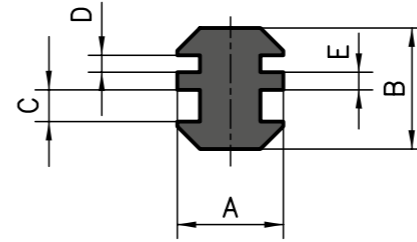
Aluminium extrusion with ≥ 2 rollers.
PVS® connector and/or cover caps fitted.

End of trolley (page 169) with PVS® connector



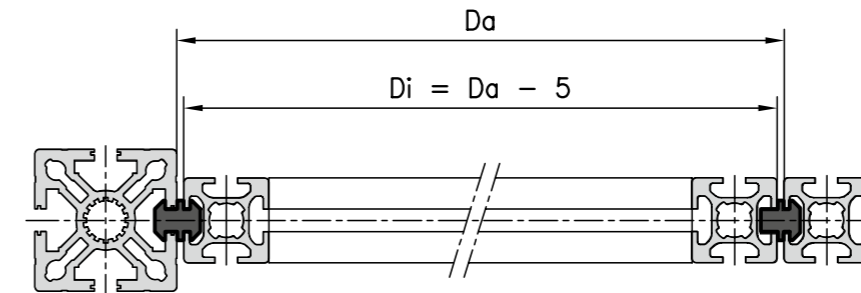
Order data		Order number	
		v = 0 mm	v = 2 mm
Double-wheeled trolley	L= ... with cover caps	B37-52-02-02/...	B37-53-02-02/...
Double-wheeled trolley	L= ... with PVS® connector	B37-52-10-10/...	B37-53-10-10/...
Concave double-wheeled trolley	L= ... with cover caps	B37-12-02-02/...	B37-13-02-02/...
Concave double-wheeled trolley	L= ... with PVS® connector	B37-12-10-10/...	B37-13-10-10/...

Plastic slide extrusions



Specification

Black PE
Sliding friction coefficient: 0,2
Heat resistance to DIN 53461:
-250 °C to 100 °C
Indentation hardness to DIN 53456:
39N/mm²



Measurement data

Extrusion base	A	B	C	D	E
50/40	21	21	4.1	4.1	2.3
50/40-30/20	14	16	4.1	2.2	2.3
30/20	14	14	2.2	2.2	2.3



Order data

Plastic slide extrusion
Standard length 5000 mm
Cut to length

Plastic slide extrusion
Standard length 5000 mm
Cut to length

Plastic slide extrusion
Standard length 5000 mm
Cut to length

Application

Ideal for any shape of slide guide, for instance for sliding doors or drawer runners. Simply push the slide extrusion into the aluminium extrusion slots – you can create a perfect, hard-wearing guide as easily as that.

Make the inner frame 5 mm smaller than the inner width of the outer frame. It is also ideal for static extrusion assemblies.

Order data

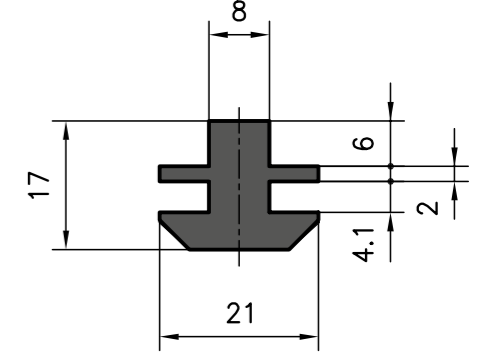
Plastic slide extrusion
Standard length 5000 mm
Cut to length

with 2mm offset
Standard length 5000 mm
Cut to length

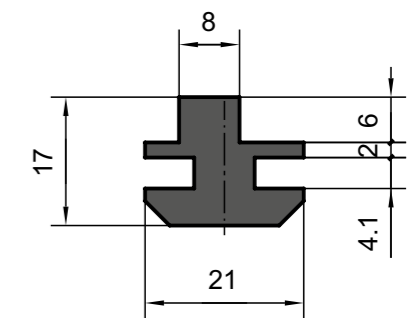
Plastic slide extrusion
Standard length 5000 mm
Cut to length

with 2mm offset
Standard length 5000 mm
Cut to length

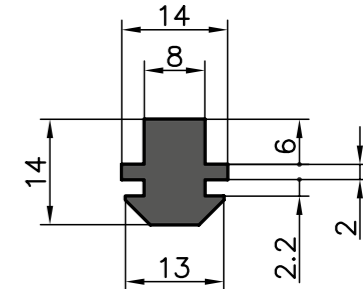
Base of 50/45/40



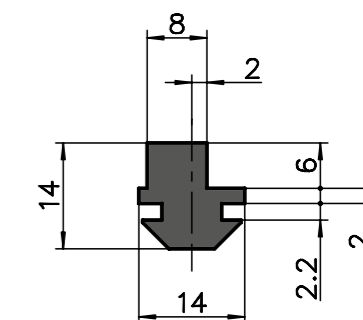
Base of 50/45/40 with offset



Base of 30/20

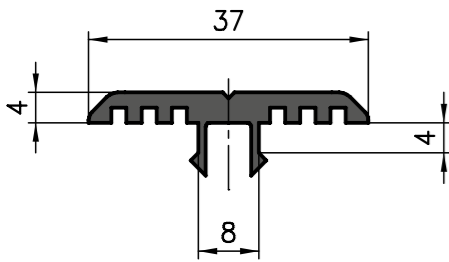


Base of 30/20 with offset

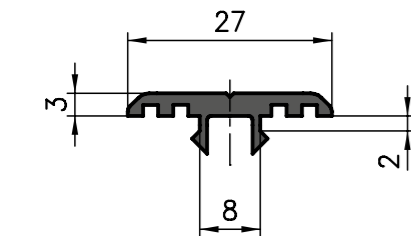


Plastic slide extrusions

Base of 50/45/40



Base of 30

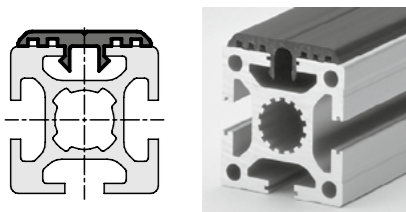


Application

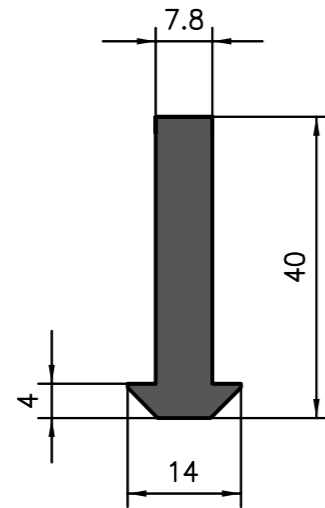
This slide extrusion is mounted on the extrusion, acting as a sliding carrier for goods or pallets. The slide extrusion can also be used as a protective strip.

Specification

PP with Talkum 30%, black



Order data	Order number
Plastic slide extrusion	Base of 50/45/40
Standard length 5000 mm	AC39-20-5M
Cut to length	AC39-20-02-02/...
Plastic slide extrusion	Base of 30
Standard length 5000 mm	B39-20-5M
Cut to length	B39-20-02-02/...

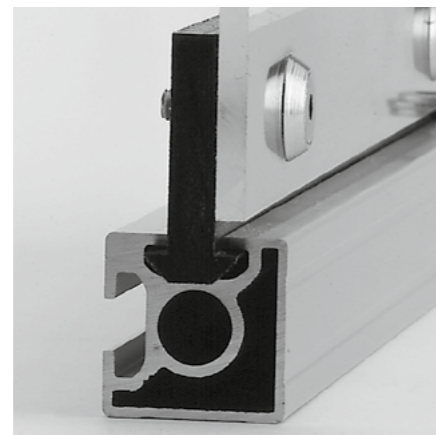


Application

For single sliding doors, suspended fittings, cable supports and many other uses. Fits all standard KANYA extrusions.

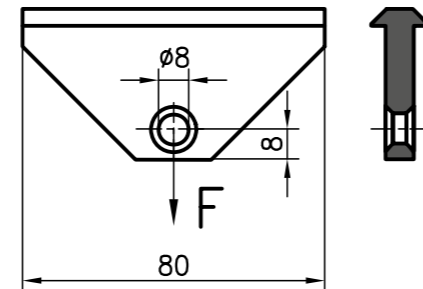
Specification

PE, black



Order data	Order number
Plastic slide extrusion	Base 50/45/40/30/20
Standard length 5000 mm	A69-0-5M
Plastic slide extrusion	Base of 50/45/40/30/20
Cut to length	A69-0-02-02/...

Sliding hook



Application

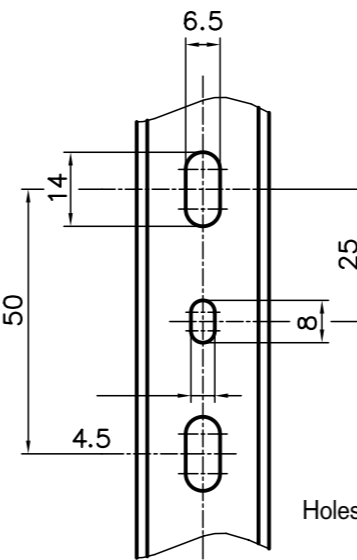
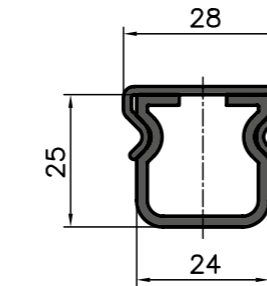
The sliding hook is ideally suited for suspended tool applications or as a cable guide. It is simply pressed into the extrusion slot and moves freely. Other lengths of multiple-hole versions are available on request.

Specification:

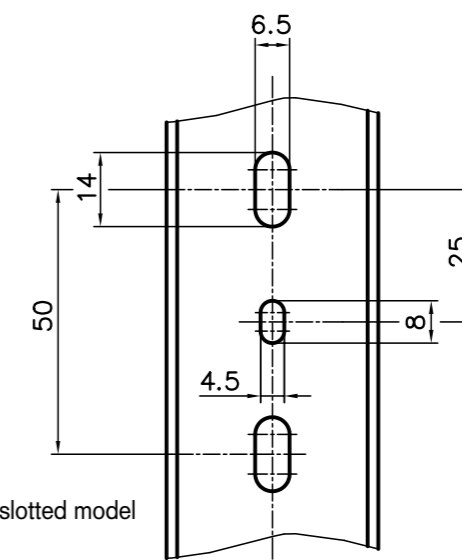
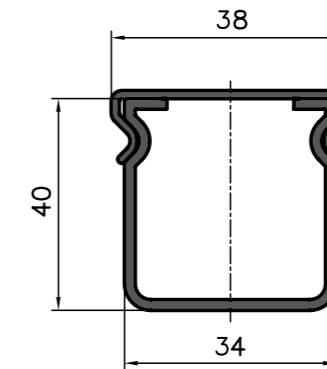
Slider: PE, black
made from a plastic slide extrusion, A69-0-00
load-bearing capacity: F = 300 N
Spring hook: chromium-plated steel

Order data	Order number
No spring hook	A69-00
With a spring hook	A69-01

Cable ducts



Holes only in slotted model



Application

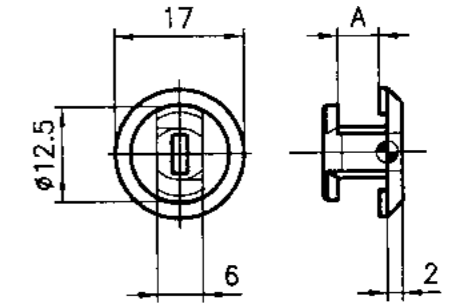
The cable ducts are placed directly onto the extrusions and are secured using either the retaining clips or extrusion nuts available. The duct is easy to open or close any time as it is fitted with a press-on cover. The slotted sides enable cables to be fed in and out at any point.

Specification

UPVC, light grey
(standard length: cable ducts 2000 mm)

Order data	Order number
Cable ducts	closed slotted
40 mm wide	Standard length C38-00-2M C38-01-2M
	auf Länge geschnitten C38-00-02/... C38-01-02/...
25 mm wide	Standard length B38-00-2M B38-01-2M
	auf Länge geschnitten B38-00-02/... B38-01-02/...
Other dimension on demand.	

Retaining clips

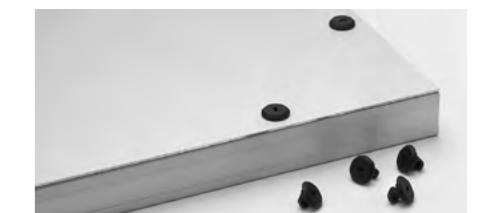


Application

The quarter turn retaining clips allow the easy fixing of either cable ducts or thin sheet material onto the extrusions Base 50, 45, 40 and 30.

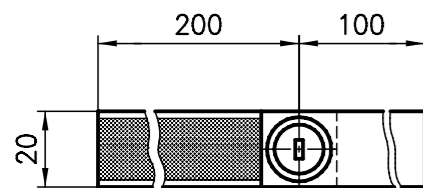
Specification

PA-GF, black



Order data	Order number
Retaining clips A = 5.5	AC38-20
Retaining clips A = 3.5	B38-20

«Velcro» Cable ties



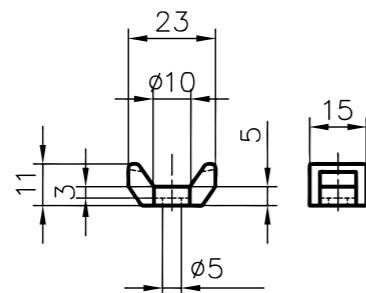
Application

This universal cable tie is made from a combination of Velcro material and a retaining clip. The Velcro can be cut to length with scissors. The quarter turn retaining the clip ensures easy fixing to the extrusions Base 50, 45, 40 and 30. On the tie-wrap-base you can fix standard tie wraps. Fix with a M5-screw.



Order data	Order number
«Velcro» Cable ties	Extrusion base 50/45/40 30 B50-50 B50-53

Tie wrap «base»



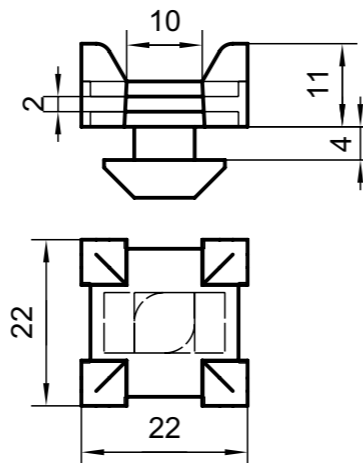
Specification

Clips: glass-filled Polyamide (PA-GF) black
Ribbon: Velcro black
Tie wrap Base: PA black



Order data	Order number
Tie wrap «base»	Extrusion base 50/45/40/30/20 B50-55

Cross-cable tie block

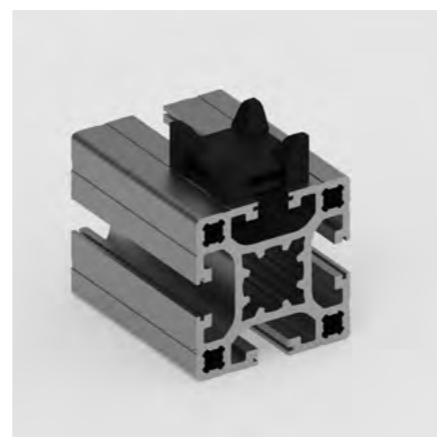


Application

The cross-cable tie block can be screwed into the nut. The block is locked after 90° rotation. Commercially available cable ties can be attached.

Specification

PA-GF, black



Order data	Order number
Cross-cable tie block	Extrusion base 40/45/50 B50-56

Aluminium cable ducts 40x40, 40x80, 80x80

Application

The cable ducts can be placed directly on to the extrusions and secured using screws and threaded plates / extrusion nuts. The duct is easy to open or close any time as it is fitted with a press-on cover.

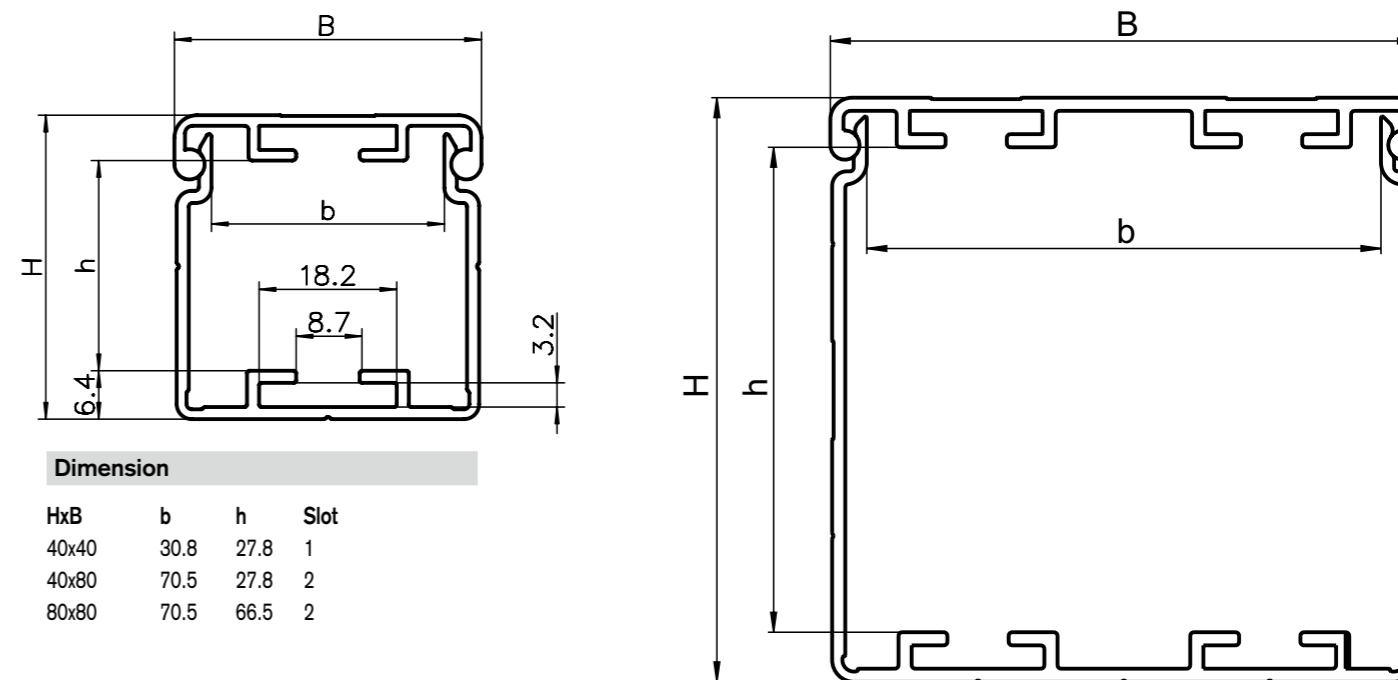
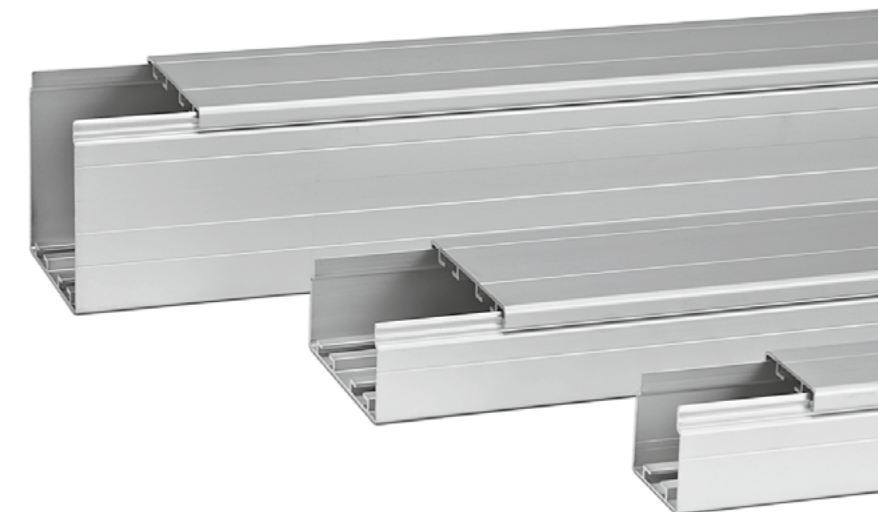
Description

Size 40x40mm, 40x80 and 80x80

Specification

Anodised aluminium

Aluminium cable duct with cover



Dimension			
HxB	b	h	Slot
40x40	30.8	27.8	1
40x80	70.5	27.8	2
80x80	70.5	66.5	2

Order data	Order number
Aluminium cable duct 40x40 (B=40, H=40) incl. cover	
Standard length 6000 mm	C38-11-6M
Cut to length	C38-11-02-02/...

Order data	Order number
Aluminium cable duct 40x80 (B=80, H=40) incl. cover	
Standard length 6000 mm	C38-21-6M
Cut to length	C38-21-02-02/...

Order data	Order number
Aluminium cable duct 80x80 (B=80, H=80) incl. cover	
Standard length 6000 mm	C38-31-6M
Cut to length	C38-31-02-02/...

Front cover

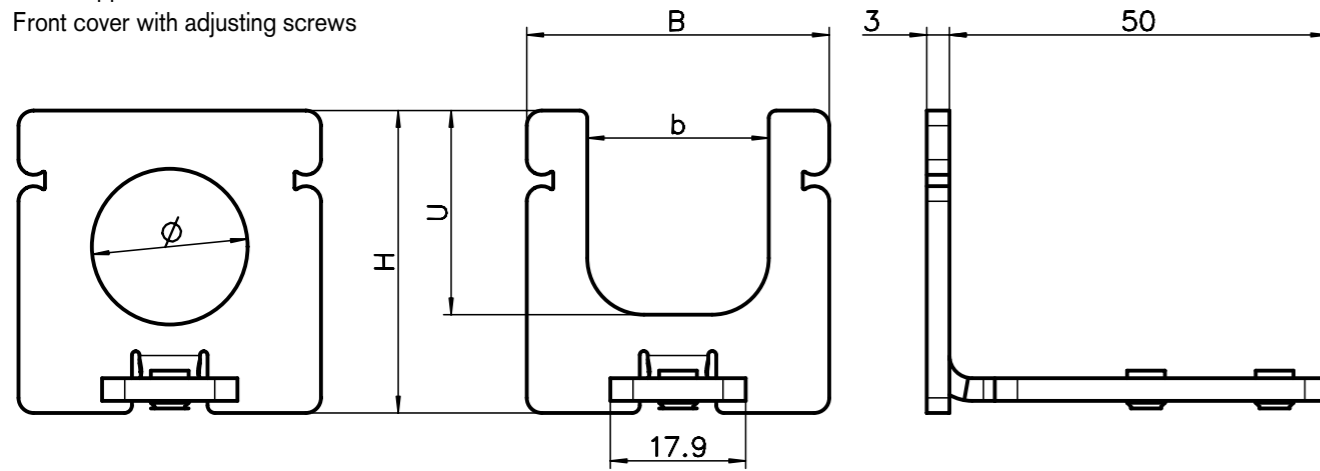
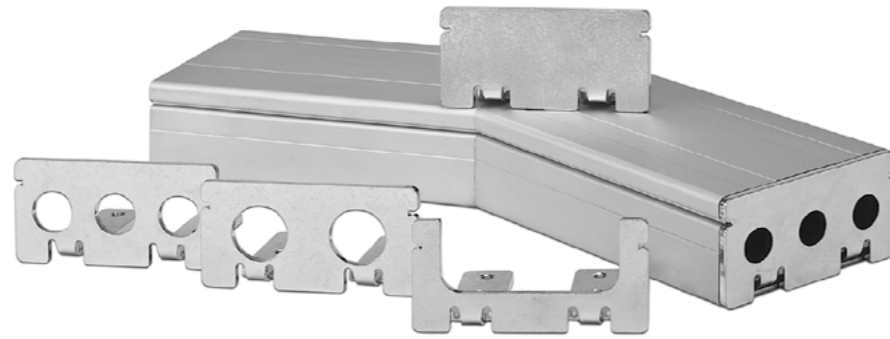
Application

A range of different covers and designs are available for the aluminium cable ducts 40x40, 40x80 and 80x80 to cover the open cross-sections. Available with or without outlet holes for possible cable passage.

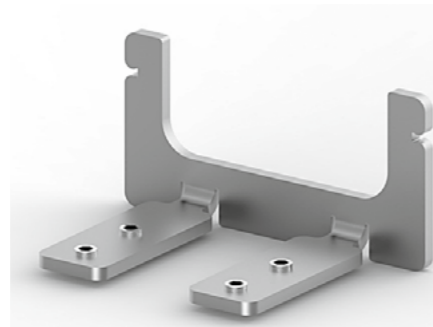
Specification: Zinc-coated steel

Parts supplied:

Front cover with adjusting screws



Design with Ø 40x40



Design with U-shape 40x80



Closed design 80x80

Design 40x40	Order number	Design 40x80	Order number	Design 80x80	Order number
closed	C38-14	closed	C38-24	closed	C38-34
U-shape 24x27mm (Uxb)	C38-15	U-shape 26x60mm (Uxb)	C38-25	U-shape 60x66mm (Uxb)	C38-35
1x Ø20.6	C38-18	3x Ø16	C38-26	4x Ø16	C38-36
		2x Ø20.6	C38-28	4x Ø20.6	C38-38

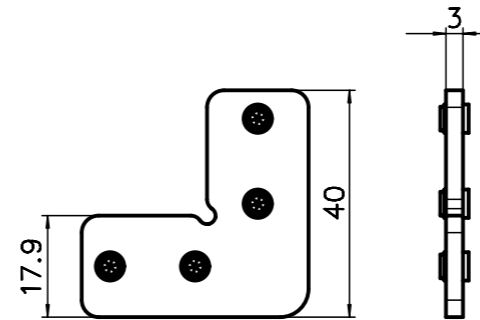
Cable duct connector

Application

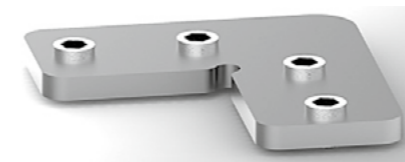
The connectors are used to extend the cable ducts and create a 90° mitred connection (other angles on request). 2 connectors are required for the aluminium cable ducts 40x80 and 80x80. The threaded pins used to fix the ducts are included with the parts supplied.

Specification: zinc-coated steel

Adjusting screws: M5



Connector, straight



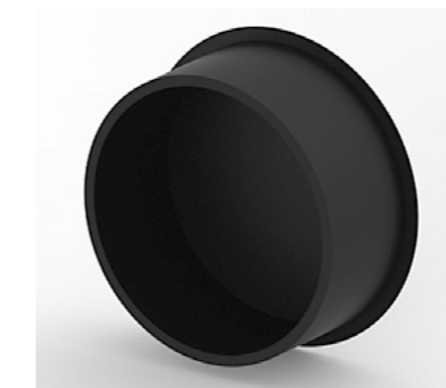
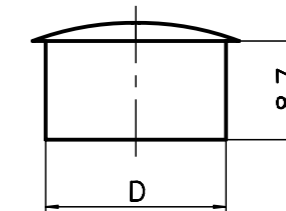
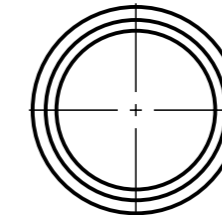
Connector, 90°, other angles on request

Order data	Order number
Connector, 90°	C38-90
Connector, straight	C38-91

Covering cap for front cover

Application

The covering cap is used to cover unnecessary openings on the front plates.



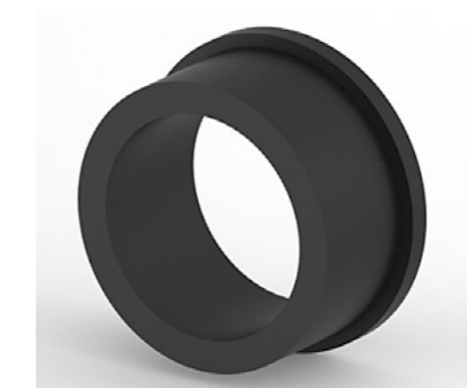
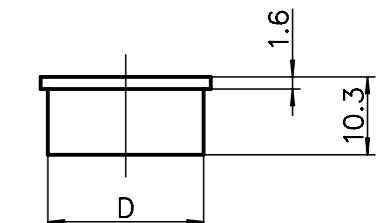
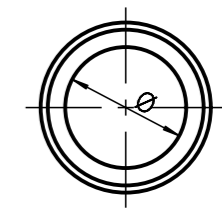
Plastic, black

Order data	Order number
Ø 16	C38-46
Ø 20	C38-47

Cable passage to front cover

Application

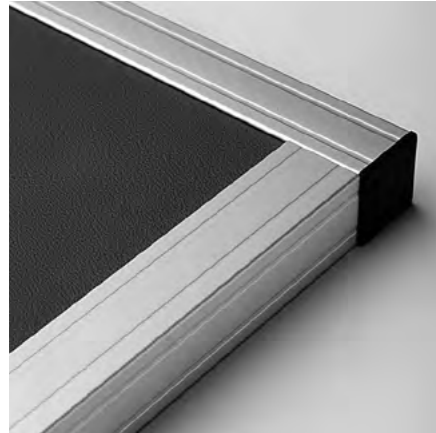
This edge protection is used at places where cables need to be fed through the cable duct on the front face. Available for the relevant holes in the front covers.



Plastic, black

Order data	Order number
D= 16 Ø 12.7	C38-56
D= 20 Ø 16	C38-57

Composite panels



Application

Intrinsically high strength enclosure panels. The thicknesses of the panels fit the narrow slots of the different 30 mm base extrusions, guaranteeing a tidy finish.

«DIBOND» specification

Composite panel lined on either side with 0.3 mm thick aluminium sheets. Stove-enamelled on either side.

Thickness: 2.0 mm
 Colour: aluminium metallic finish
 Size: max. 1250 x 3050 mm
 Weight: 2.9 kg/m²

Thickness: 3.0 mm
 Colour: white, similar to RAL 9016
 black, similar to RAL 9005
 Size: max. 1500 x 3050 mm
 Weight: 3.0 mm: 3.8 kg/m²

Thickness: 4.0 mm
 Colour: Alu-metallic
 Size: max. 1500 x 3100mm
 Weight: 4.75 kg/m²



«DILITE» specification

Composite panel lined on either side with 0.2 mm thick aluminium sheets.

Thickness: 2.0 mm
 Colour: white, similar to RAL 9016
 and aluminium metallic finish
 Size: max. 1250 x 3050 mm

Thickness: 3.0 mm
 Colour: white, similar to RAL 9016
 Size: max. 1500 x 3050 mm

Order data	Order number
DIBOND 2 mm	A51-12 A x B
DIBOND 3 mm, state colour	A51-13 A x B
DILITE 2 mm	A51-32 A x B
DILITE 3 mm	A51-33 A x B
DIBOND 4 mm	A51-14 A x B

Micro chipboard



Application

This inexpensive panelling is inserted directly into the 8 mm slot on extrusions. The panels are lined with a white film on either side. They are highly fire-retardant and are used most commonly in the construction of exhibition stands and shop fittings.

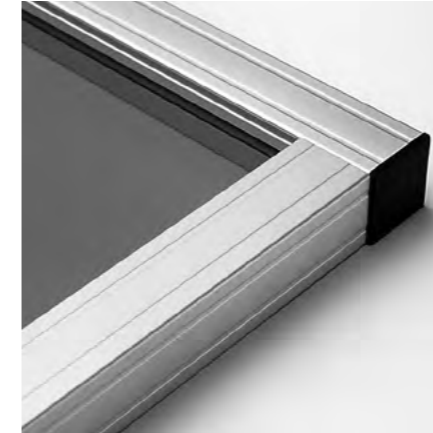
Specification

Plastic-coated pressboard.
 Highly fire-retardant according to DIN 4102

Thickness: 8 mm
 Size: max. 1390 x 2070 mm
 Colour: white
 Weight: 5.2 kg/m²

Order data	Order number
Micro dense fibreboard	A50-58 A x B

Acrylic glass



Application

For machine safety enclosures, room partitions and display cases. (suitable for metal machining). Hot forming possible using special tool.

Specification for acrylic glass

Colours: clear as glass, or on request
 Thicknesses: 3, 4, 5, 6, 8 mm
 Size: max. 2000 x 3000 mm
 Weight: 3 mm: 3.55 kg/m²
 4 mm: 4.70 kg/m²
 5 mm: 5.90 kg/m²
 6 mm: 7.10 kg/m²
 8 mm: 9.45 kg/m²

Order data	Order number
Acrylic glass 3 mm	A50-13 A x B
Acrylic glass 4 mm	A50-14 A x B
Acrylic glass 5 mm	A50-15 A x B
Acrylic glass 6 mm	A50-16 A x B
Acrylic glass 8 mm	A50-18 A x B

Polycarbonate



Application

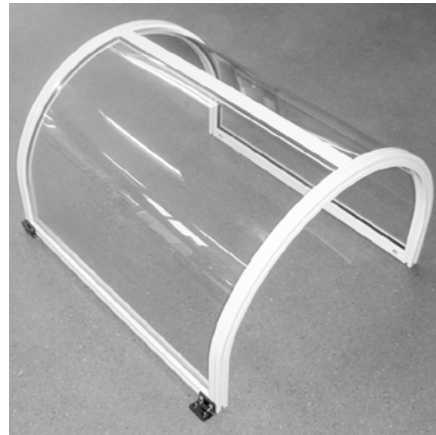
This panel is extremely impact-resistant and is used for windows and doors in safety guards. Metal machining and cold or hot forming is possible. We can provide blank cuts or ready-machined panels.

Specification for polycarbonate

Colours: clear as glass
 Thicknesses: 3, 4, 5, 6, 8 mm
 Size: max. 2000 x 3000 mm
 Weight: 3 mm: 3.60 kg/m²
 4 mm: 4.80 kg/m²
 5 mm: 6.00 kg/m²
 6 mm: 7.20 kg/m²
 8 mm: 9.60 kg/m²

Order data	Order number
Polycarbonate 3 mm	A50-33 A x B
Polycarbonate 4 mm	A50-34 A x B
Polycarbonate 5 mm	A50-35 A x B
Polycarbonate 6 mm	A50-36 A x B
Polycarbonate 8 mm	A50-38 A x B

PET-G



Application

This transparent panel is food-safe and can be used in clean-room applications and medical technology. Metal machining and cold or hot forming is possible

Specification for Pet-G

impact-resistant, oil-resistant, food-safe

Colour: clear as glass, transparent
 Thicknesses: 3, 4, 5, 6, 8 mm
 Size: max. 2000 x 3000 mm
 Weight: 3 mm: 4.14 kg/m²
 4 mm: 5.52 kg/m²
 5 mm: 6.90 kg/m²
 6 mm: 8.28 kg/m²
 8 mm: 11.0 kg/m²

Order data	Order number
PET-G plate 3 mm	A50-73 A x B
PET-G plate 4 mm	A50-74 A x B
PET-G plate 5 mm	A50-75 A x B
PET-G plate 6 mm	A50-76 A x B
PET-G plate 8 mm	A50-78 A x B

Other plastic plates available on request

PVC foam plates



Application

For enclosures or as shelves for light elements. Metal machining and cold or hot forming is possible. The plastic plates are placed directly in the extrusion slots or mounted using fixing elements such as brackets, Uniblocks or quick-release fasteners.

Specification

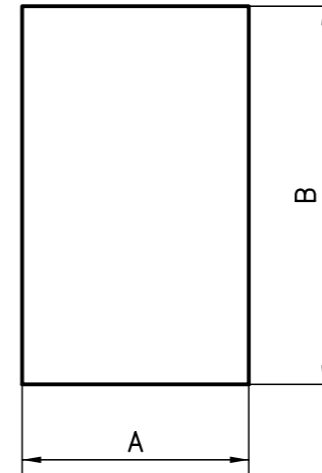
PVC foamed
 scratch-proof and impact-resistant
 oil-resistant
 highly fire-retardant according to DIN 4102 (self-extinguishing)

Colour: white
 Thickness: 3, 4, 6, 8 mm
 Size: max. 2000 x 3000 mm
 Weight: 3 mm: 2.1 kg/m²
 4 mm: 2.8 kg/m²
 6 mm: 4.2 kg/m²
 8 mm: 5.6 kg/m²

Other colours may be supplied on request.

Order data	Order number
PVC foamed 3 mm	A50-63 A x B
PVC foamed 4 mm	A50-64 A x B
PVC foamed 6 mm	A50-66 A x B
PVC foamed 8 mm	A50-68 A x B

Aluminium sheets



Application

All types of enclosures.

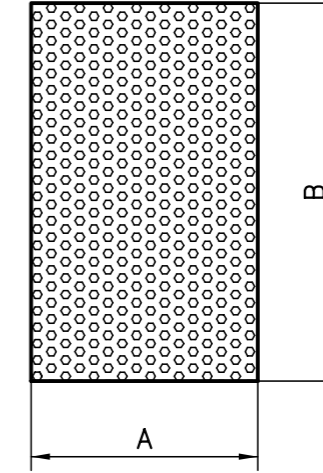
Specification

Al-sheet 2 and 3.0 mm
 Anodised in a natural colour, one side with a protective sheet
 Maximum size: 1000 x 2000mm
 Other dimensions or powder coated sheets are available on request
 Weight: Al 2 mm: 5.4 kg/m²
 Al 3 mm: 8.1 kg/m²



Order data	Order number
Aluminium sheet, 2 mm	A53-20 A x B
Aluminium sheet, 3 mm	A53-30 A x B

Expanded metal

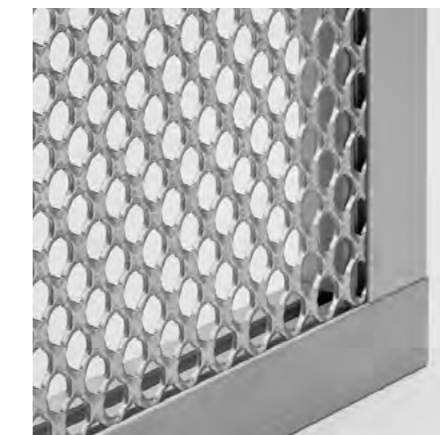


Application

The panel for designers with taste – light and attractive, but nonetheless sturdy. Can be used for virtually any purpose.

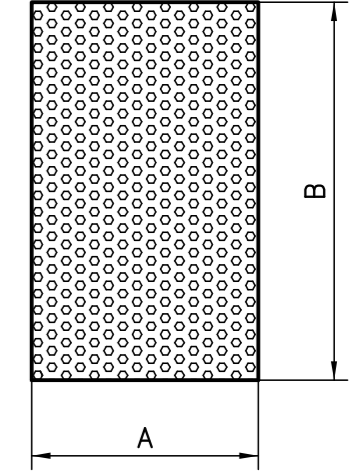
Specification

Aluminium 2 mm, raw
 Maximum size: 1000 x 2000 mm
 Weight: 2.0 kg/m²



Order data	Order number
Expanded metal	A54-20 A x B

Perforated sheet



Application

The perforated aluminium sheet as a housing surface for ventilated areas. Where heat accumulation can occur, e.g. from a motor or other electronic components. This anodised sheet is also an aesthetic surface element.

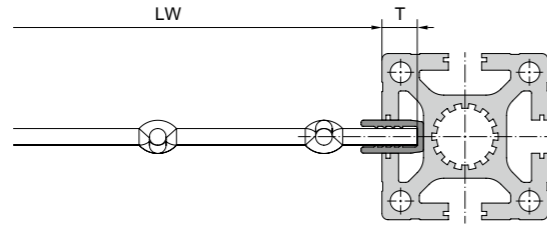
Specification

Size of hole 8 mm with 11 mm grid in 60° placement.
 Weight: 2.85 kg/m²
 Size: 952 x 2000 mm
 Surface: bright rolled

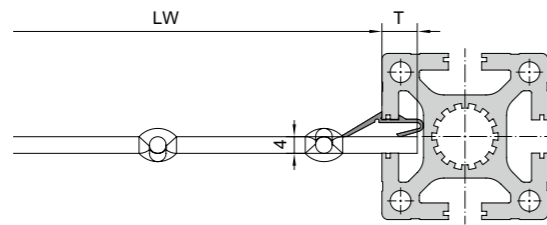


Order data	Order number
Perforated sheet, 2 mm	A54-40

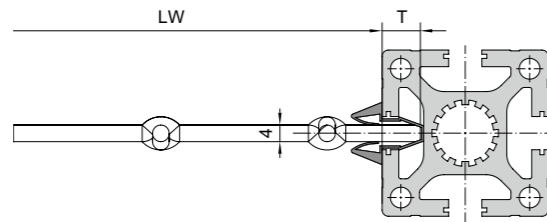
Steel wire mesh



Application with U-Clamping extrusion B19-6



Application with wedge extrusion C39-45



Application with grid extrusion C39-70

Application

Safety guards, store partitions, restricted access, etc.

This wire mesh can be inserted directly into the 8mm slot on the extrusion together with the surround extrusion C39-70 and the clamping extrusions B19-6.

Specification

Zinc-coated steel

Mesh width: 40 mm
 Wire thickness: 4 mm
 Size: max. 1000 x 2000 mm (1250 x 2500)
 Weight: 4.5 kg/m²

Measurement data

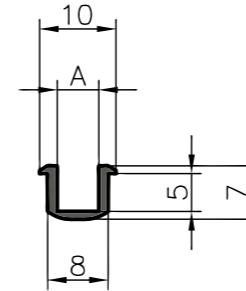
B19-6	Base 30	Base 40	Base 45	Base 50
Mesh case depth T	5 mm	8 mm	10 mm	12.5 mm
Mesh size A50-44	LW + 10 mm	LW + 16 mm	LW + 20 mm	LW + 25 mm
U-clamp extrusion length in a mitre cut	LW + 13 mm	LW + 19 mm	LW + 22 mm	LW + 28 mm

C39-45	Base 30	Base 40	Base 45	Base 50
Mesh case depth T	-	8.5 mm	11 mm	13 mm
Mesh size A50-44	-	LW + 17 mm	LW + 22 mm	LW + 26 mm

C39-70	Base 30	Base 40	Base 45	Base 50
Mesh case depth T	-	9 mm	9 mm	9 mm
Mesh size A50-44	-	LW + 18 mm	LW + 18 mm	LW + 18 mm
U-edging extrusion length in a mitre cut	-	LW + 20 mm	LW + 20 mm	LW + 20 mm

Order data	Order number
Steel wire mesh	A50-44 AxB

Channel reducing strip



Application

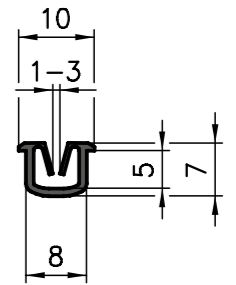
Channel reducing strips are used if 3, 4 or 5 mm panels are to be inserted into the extrusion slots.

Specification

Grey PVC for panels of 3, 4 or 5 mm in thickness
 Plate insertion depth: 4 mm



Order data	Order number
Channel reducing strip	A = 3.5 mm
Standard length 5000 mm	A39-33-5M
Cut to length	A39-33-02-02/...
Channel reducing strip	A = 4.5 mm
Standard length 5000 mm	A39-32-5M
Cut to length	A39-32-02-02/...
Channel reducing strip	A = 5.5 mm
Standard length 5000 mm	A39-34-5M
Cut to length	A39-34-02-02/...



Application

For thin sheets e.g. expanded metal, steel sheets, etc.

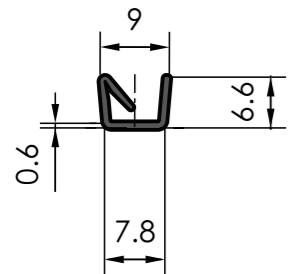
Specification

Grey PVC for panels up to 3 mm
 Plate insertion depth: 4 mm



Order data	Order number
Channel reducing strip	A = 3.5 mm
Standard length 5000 mm	A39-31-5M
Cut to length	A39-31-02-02/...

Insert extrusion PVC Base 30



Application

The inlay extrusion is used when installing panel elements with a thickness of 5 and 6 mm.

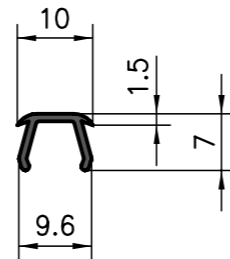
Specification

PVC grey for panel thicknesses: 5 and 6 mm



Order data	Order number
Insert extrusion	
Standard length 5000 mm	B39-51-5M
Cut to length	B39-51-02-02/...

PVC filler strips

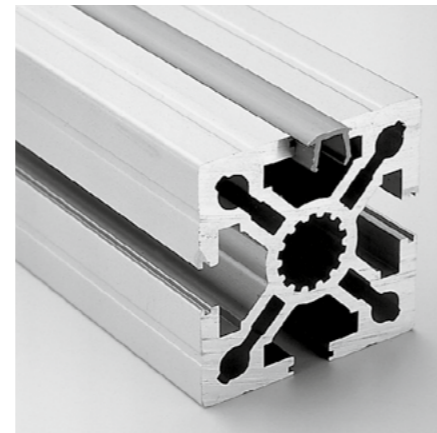


Application

The PVC filler strip can be clipped into the 8 mm longitudinal slot on any extrusion after assembly and is available in grey or black.

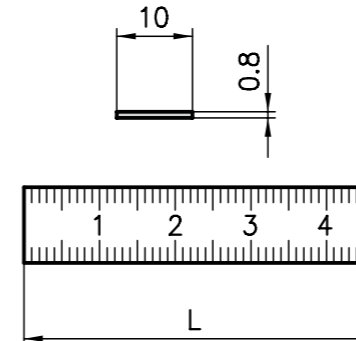
Specification

Grey or black PVC



Order data	Order number
Filler strips	grey
Standard length 5000mm	A39-25-5M
Cut to length	A39-25-02-02/...
Filler strips	black
Standard length 5000mm	A39-26-5M
Cut to length	A39-26-02-02/...

Aluminium filler strip

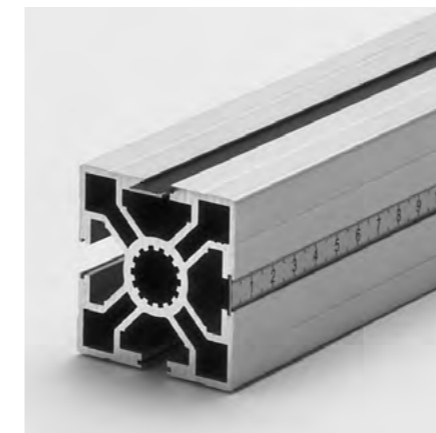


Application

These aluminium strips can be used to blank off the longitudinal slots on all extrusions with a base of 40, 45 and 50. They are extremely easy to cut to length using tin snips or shears. They can be supplied at short notice in any RAL colour in addition to the standard colours (natural anodised or black powder coated).

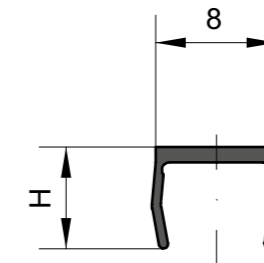
Specification

Aluminium 0.8x 10
anodised or black
anodised with millimetre scale



Order data	Order number
Aluminium filler strip	anodised mm-scale
L = 1000 mm	A39-16
L = 2000 mm	A39-17 A39-18

Aluminium sealing extrusion 50/40/30



Application

The grooves of the construction profiles are undoubtedly very practical. With certain constructions, however, they disrupt the appearance and attract dirt. The cover profiles made of aluminium facilitate a closed appearance despite maximum flexibility offered by the open grooves. Dirt can thus no longer be deposited either.

Specification

Aluminium anodised

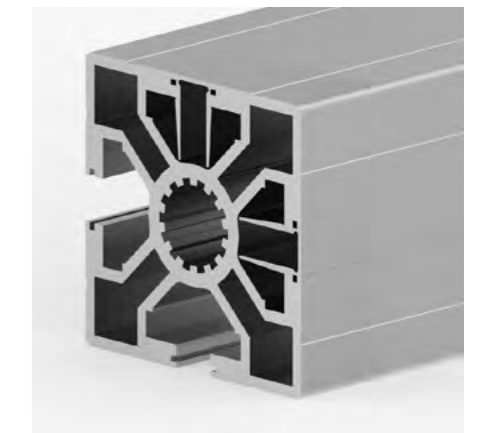
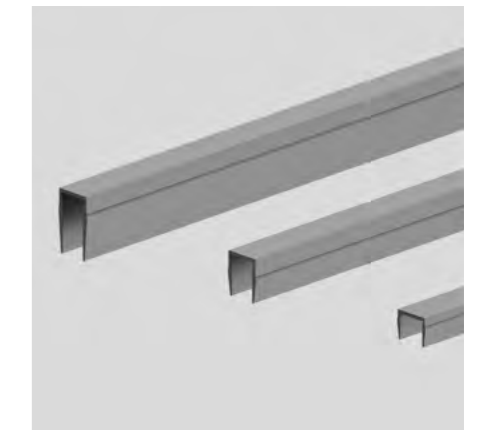
Measurement data

Base	H
50	14.5
40	10
30	6.7

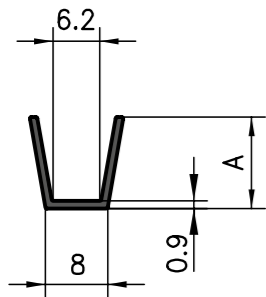
Order data	Order number
Aluminium sealing extrusion	Base 50
Standard length 3000 mm	A39-22-3M
Cut to length	A39-22-02-02/...

Order data	Order number
Aluminium sealing extrusion	Base 40
Standard length 3000 mm	C39-22-3M
Cut to length	C39-22-02-02/...

Order data	Order number
Aluminium sealing extrusion	Base 30
Standard length 3000 mm	B39-22-3M
Cut to length	B39-22-02-02/...

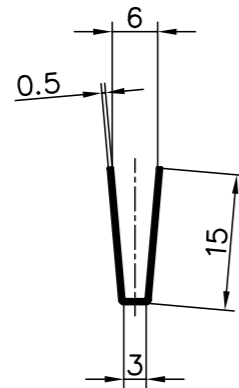


Channel reducing strips and filler strips



Application
To hold panels which are 6 mm thickness. They can also be inverted to blank off the slots on triple channel extrusions.

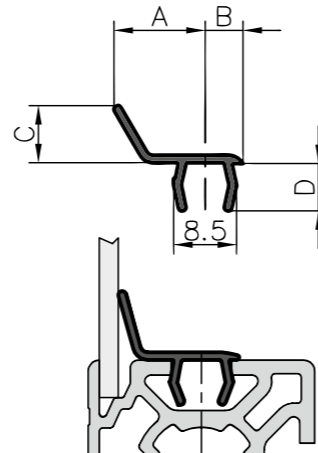
Specification
Grey PVC



Application
When fitting 3mm panels for base 40 panels extrusions. (Page 87)

Specification
Black PVC

Supporting extrusion

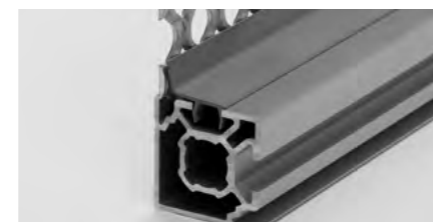


Application
The supporting extrusion has two functions; it gives optimum support (pressure) to thin panels which are inserted into the narrow slots and at the same time it also covers the extrusion connector slots.

Specification
Suitable for panel thickness of 2–3 mm
Grey PVC

Measurement data

Extrusion base	A	B	C	D
30	13	5	8	6
40	15	7	10	9

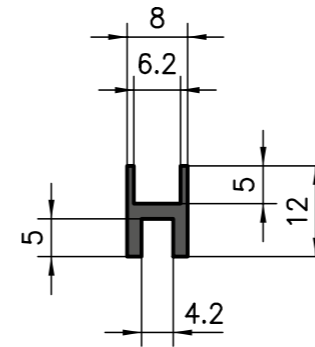


Order data

Clamping extrusion 30
Standard length 5000 mm B39-25-5M
Cut to length B39-25-02-02/...

Supporting extrusion 40
Standard length 5000 mm C39-25-5M
Cut to length C39-25-02-02/...

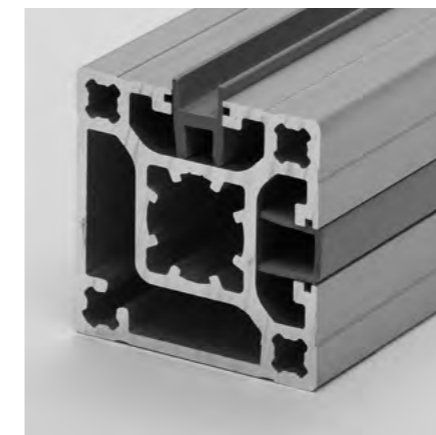
H-strip



Application
Used in combination with the B39–55 channel reducing strip, this H-strip allows lift-on or lift-off panels to be inserted or removed.

Bottom: B39–35
Top: B39–55

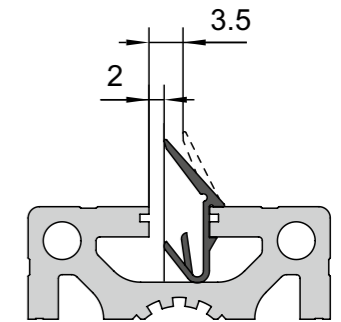
Specification
Grey PVC for panels of 4 or 6 mm in thickness



Order data

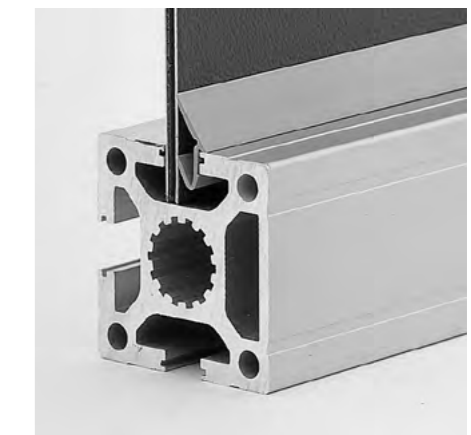
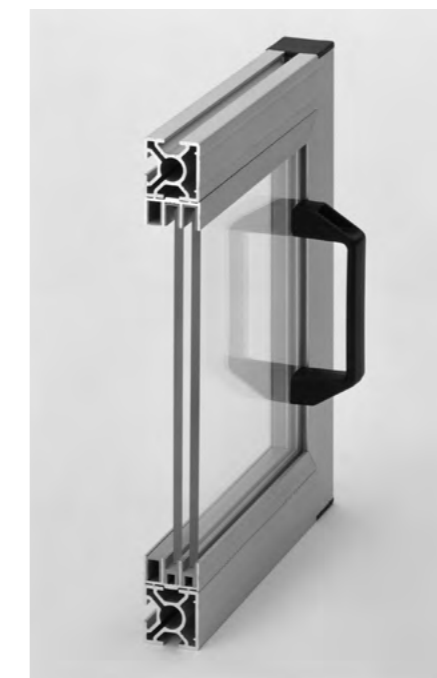
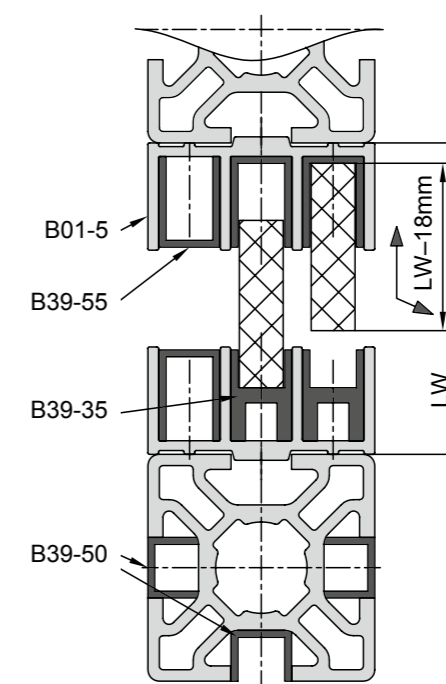
H-strip
Standard length 5000 mm extrusions B05-1
Cut to length B39-35-5M
B39-35-02-02/...

Wedge extrusion



Application
The wedge extrusion can be pressed into the slot on extrusions with a base of 40, 45 and 50 mm. The force holds the panels tightly in place, however thick they are.

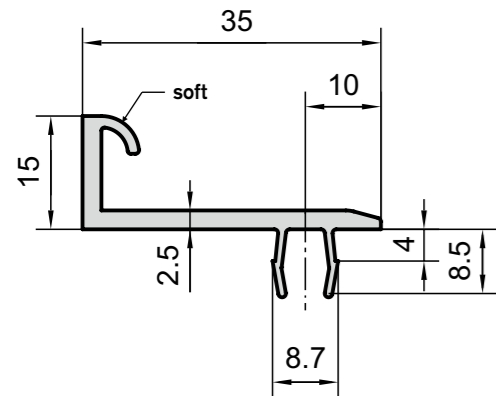
Specification
Suitable for panel thickness of 2–3.5 mm
Grey PVC



Order data

Wedge extrusion
Standard length 5000 mm C39-45-5M
Cut to length C39-45-02-02/...

Door stop profile

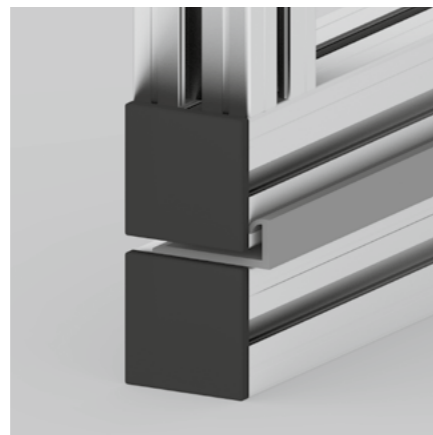


Application

As the name says, this profile is used as a door stop. The foot geometry means that it can be clipped into the basis 40. The soft sealing lip muffles firstly the closing and facilitates a certain tightness. It should be ensured that the door gap is of a correspondingly large size.

Specification

Hard (soft) PVC, grey

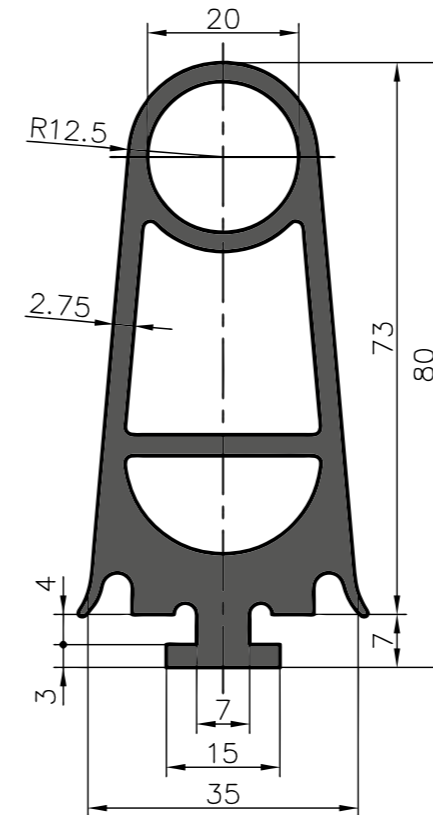


Matching extrusion combinations:

	Frame	Door
Base	40	40
Base	50	45

Order data	Order number
Door stop profile	
Standard length 5000 mm	C39-55-5M
Door stop profile	
Cut to length	C39-55-02-02/...

Safety-edge extrusion



Application

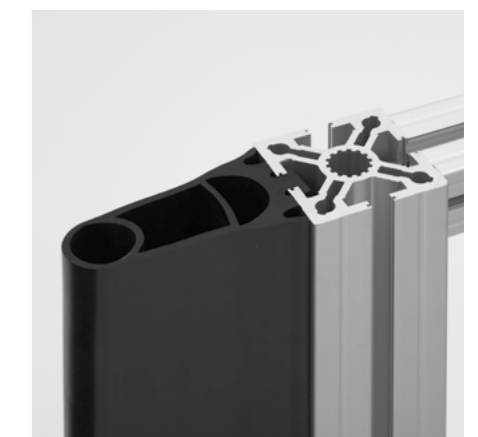
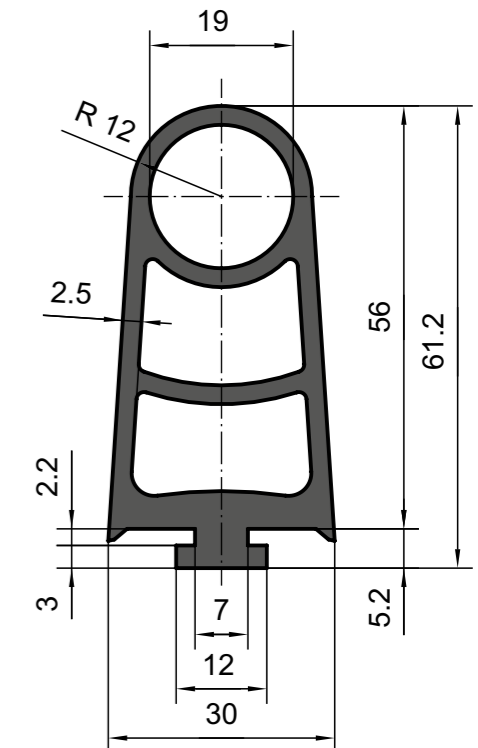
Mainly used as a personal safety-extrusion on automatic sliding doors and everywhere there is danger of crushing parts. It fits to the respective KANYA-extrusions.

Specification

EPDM caoutchouc black

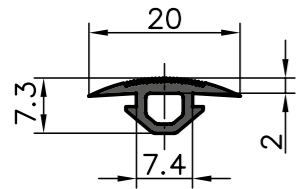
Order data	Order number
Safety-edge extrusion	
Standard length 2000 mm	C39-90-2M
Cut to length	C39-90-02-02/...

Protective edge profile Base 30



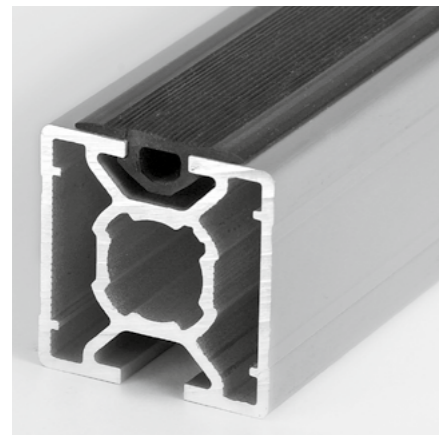
Order data	Order number
Protective edge profile Base 30	
Standard length 1900 mm	B39-90-1.9M
Cut to length	B39-90-02-02/...

Ribbed rubber extrusion



Application
The ribbed rubber extrusion can be used to protect the surface of extrusions, as an anti-slip strip or as a seal. This extrusion can be inserted into the slot of nearly all base 50, 45, 40, 30 and 20 cross-sections.

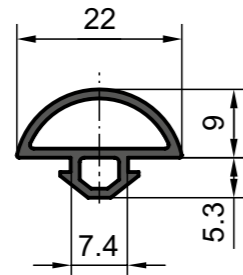
Specification
EPDM, black
Weight: 70g/m



Order data	Order number
------------	--------------

Ribbed rubber extrusion
Standard length of rolls of 100 m D39-86-100M
Cut to length D39-86-02-02/...

Semi-circular sealing strip



Application
The semi-circular sealing strip can be inserted into the slots on almost all cross-sections of the base 50, 45, 40, 30 and 20. It is used as a seal of any kind, mostly also in clean room technology.

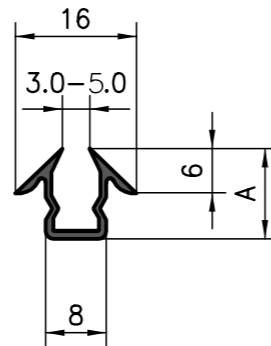
Specification
Material tpe 65, black



Order data	Order number
------------	--------------

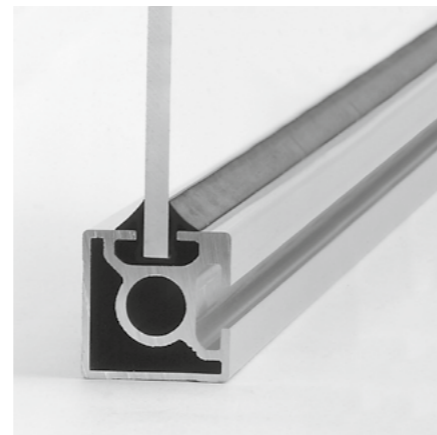
Semi-circular sealing strip
Standard length of rolls of 25 m A39-86-25M
Cut to length A39-86-02-02/...

U-sealing strip



Application
This sealing strip can be inserted into the 8 mm slots on any extrusions and is suitable for panels measuring between 3 and 6 mm in thickness.

Specification
Black neoprene rubber, oil-resistant.
Installation depth for panels:
A = 12: 5 mm
A = 18: 10 mm

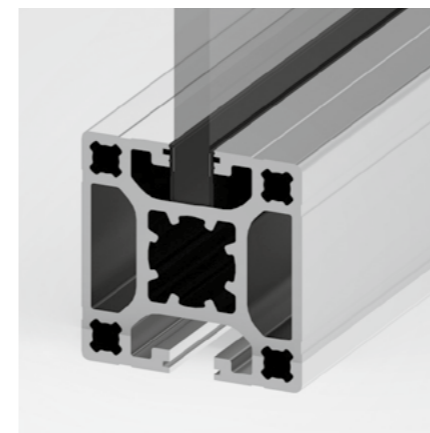
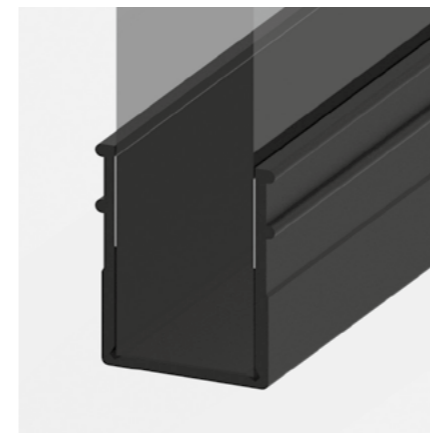
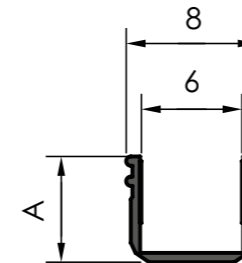


Order data	Order number
------------	--------------

U-sealing strip, A = 12 mm 45/40/30 mm base
Standard length of rolls of 100 m B39-65-100M
Cut to length B39-65-02-02/...

U-sealing strip, A = 18 mm 50/45 mm base
Standard length of rolls of 25 m A39-65-25M
Cut to length A39-65-02-02/...

Inlay profile



Application
For simple glazing (laminated safety glass up to 6.7 mm), the insert profile with adhesive strips for aluminium profiles of base 30, 40 und 50 can be used.

Specification
TPE-V

Measurement data	
	A
A39-56	14.5
C39-56	10
B39-56	6.7

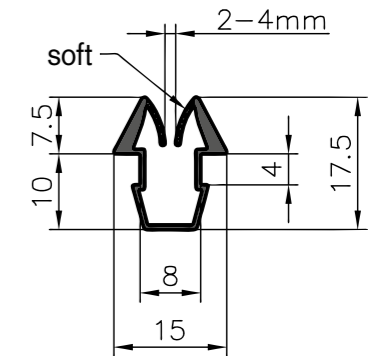
Order data	Order number
------------	--------------

Inlay profile 50 base
Standard length of rolls of 2x 50 m A39-56
Cut to length A39-56-02-02/...

Einlageprofil 40 base
Standard length of rolls of 2x 50 m C39-56
Cut to length C39-56-02-02/...

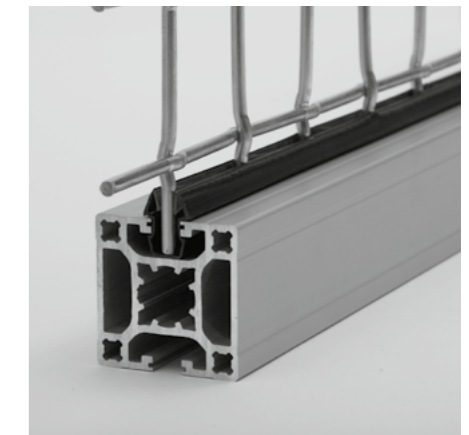
Einlageprofil 30 base
Standard length of rolls of 2x 50 m B39-56
Cut to length B39-56-02-02/...

Grid extrusion



Application
Mainly used for holding steel-wire-mesh. The soft lips insulate the vibration and compensates the different thicknesses. It's qualified for panels with 2-4 mm thickness. The grid extrusion fits into the base 50, 45 and 40.

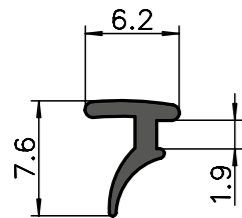
Specification
Hard- (soft) PVC, black
Installation depth for panels: 8 mm



Order data	Order number
------------	--------------

Grid extrusion
Standard length 5000 mm C39-70-5M
Cut to length C39-70-02-02/...

Clamping sealing strip Base 30/20



Application

This sealing strip is used to stabilise and seal panels in the extrusion cross-sections of base 20 and 30. It is fitted after the panels are inserted.

Specification

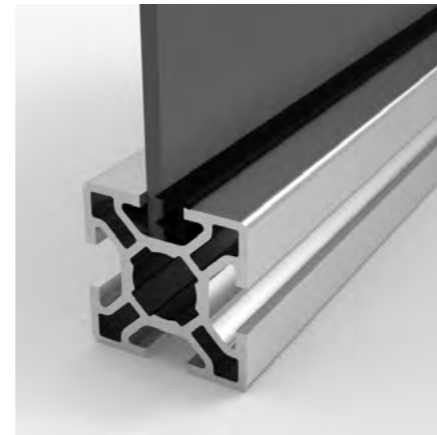
TPE black, oil-resistant
For panels 5–6 mm thick

Clamping rubber seal



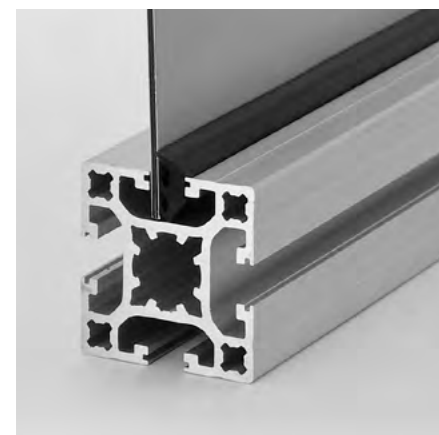
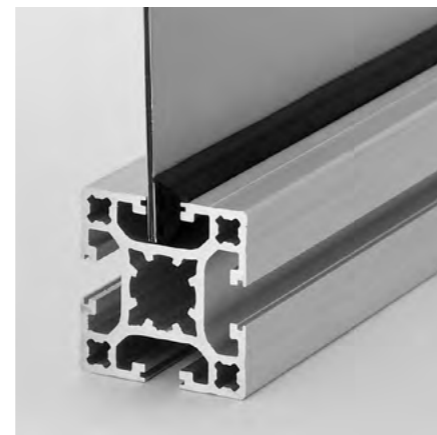
Application

These profiles are used for the installation of panels in the profile groove. The installation is done after the panels have been inserted. The rubber profiles can simply be pressed into the existing gap. The material automatically results in a damping, sealing and stabilising effect.



Specification

Neoprene rubber black, oil resistant, contains no silicone



Measurement data

Panel thickness	Base 30	Base 40/45/50
1.5 – 2 mm	B39-72	A39-72
3 mm	B39-73	A39-73
4 mm	B39-74	A39-74
5 mm	B39-75	A39-75

Order data **Order number**

Base 30		Base 40/45/50	
Panel thickness 1.5 – 2 mm		Panel thickness 1.5 – 2 mm	
Standard length roll: 200 m	B39-72-200M	Standard length roll: 200 m	A39-72-200M
Cut to length	B39-72-02-02/...	Cut to length	A39-72-02-02/...
Panel thickness 3 mm		Panel thickness 3 mm	
Standard length roll: 200 m	B39-73-200M	Standard length roll: 200 m	A39-73-200M
Cut to length	B39-73-02-02/...	Cut to length	A39-73-02-02/...
Panel thickness 4 mm		Panel thickness 4 mm	
Standard length roll: 200 m	B39-74-200M	Standard length roll: 200 m	A39-74-200M
Cut to length	B39-74-02-02/...	Cut to length	A39-74-02-02/...
Panel thickness 5 mm		Panel thickness 5 mm	
Standard length roll: 200 m	B39-75-200M	Standard length roll: 200 m	A39-75-200M
Cut to length	B39-75-02-02/...	Cut to length	A39-75-02-02/...

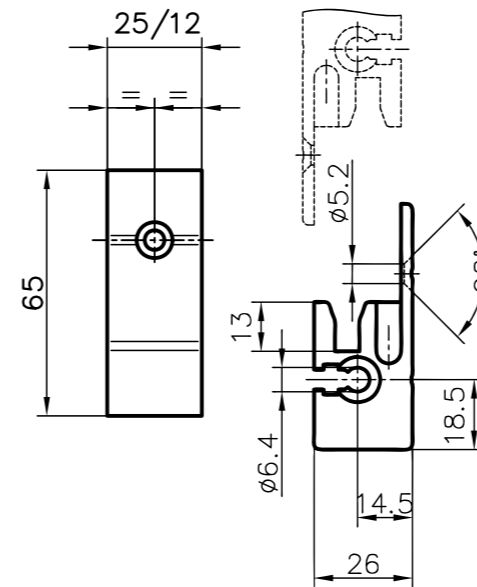
Measurement data

Panels 5–6 mm thick

Order data **Order number**

Clamping sealing strip 30/20 base	
Standard length of rolls à 100 m	B39-83-100M
Cut to length	B39-83-02-02/...

Suspended guard fittings



Application

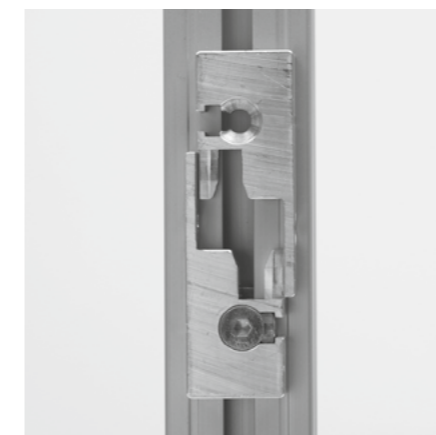
For an easy suspension of elements. Extrusion frames with panel-elements can be placed between two extrusions. The vertical and the horizontal suspend position hold the panels in the defined position. The nuts are placed in the slot and with screws it can be fixed from both sides.

Parts supplied

2 Suspensions +
2 Screws with Screw-nuts

Specification

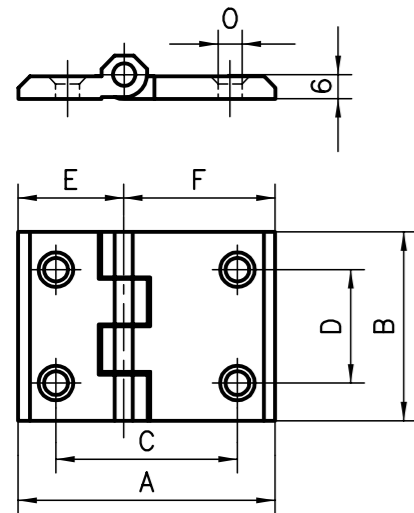
Al, anodised in natural colours



Order data **Order number**

Suspension small	B=12 mm	B62-20
Suspension large	B=25 mm	B62-25

Plastic hinges fix



Application

That the optimal pivoting characteristics is given for doors, windows ect, the designer needs a selection of hinges, which are fitting exactly.



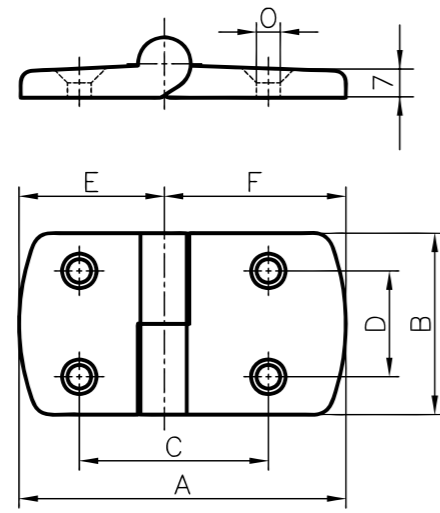
Specification

PA-GF black
Pin: steel zinc coated

Order data	Order number
Base A B C D E F O	
50 76 50 56 30 38 38 6.3	A60-00-PA*
45 66 50 48 30 33 33 6.5	E60-00-PA*
50/30 63 50 43 30 25 38 6.3	AB6-00-PA*
30 50 50 30 30 25 25 6.3	B60-00-PA*

*Item number for fixing kit: add -S to the order number Example A60-60-S

Plastic hinges lift-off type



Whether cost efficient plastic, attractive diecasting, or high-strength Aluminium hinges, the assortment gives you the possibility to do the right choice.



Specification

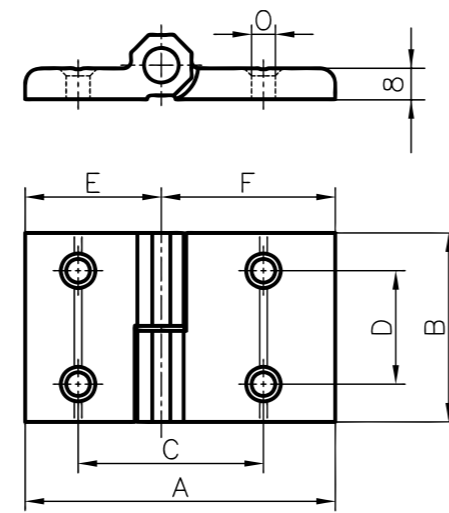
PA-GF black
Pin: steel zinc coated

Order data	Order number
Base A B C D E F O	
50 96 48 55 28 48 48 6.5	A60-60-PA*
50/40 86 48 50 28 48 38 6.5	AC6-60-PA*
50/30 77 48 45 28 48 29 6.5	AB6-60-PA*
45 87 48 50 28 43.5 43.5 6.6	E60-60-PA*
40 76 48 45 28 38 38 6.5	C60-60-PA*
40/30 67 48 40 28 38 29 6.5	CB6-60-PA*
30 58 48 35 28 29 29 6.5	B60-60-PA*

Aluminium hinges

Order data	Order number	Order data	Order number
Base A B C D E F O		left	right
50 92 50 54 30 46 46 6.5	A60-60*	A60-60-PA*	A60-61-PA*
50/40 82 50 49 30 46 36 6.5	AC6-60*	-	-
50/40 82 50 49 30 36 46 6.5	-	-	AC6-61*
45 72 50 49 30 36 36 6.5	E60-60*	-	E60-61*
40 72 50 44 30 36 36 6.5	C60-60*	-	C60-61*

Aluminium hinges lift-off type



Al anodised natural colours
Pin: steel zinc coated

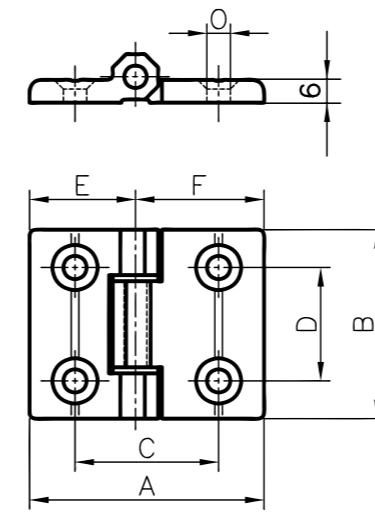


Specification

Al anodised natural colours
Pin: steel zinc coated

Order data	Order number
Base A B C D E F O	
50 96 48 55 28 48 48 6.5	A60-60-PA*
50/40 86 48 50 28 48 38 6.5	AC6-60-PA*
50/30 77 48 45 28 48 29 6.5	AB6-60-PA*
45 87 48 50 28 43.5 43.5 6.6	E60-60-PA*
40 76 48 45 28 38 38 6.5	C60-60-PA*
40/30 67 48 40 28 38 29 6.5	CB6-60-PA*
30 58 48 35 28 29 29 6.5	B60-60-PA*

Zn-die cast hinges fixed type



GD-Zn, nickel plated
(black powder coated on request)
Pin: steel zinc coated
washer: PA-6 white



Specification

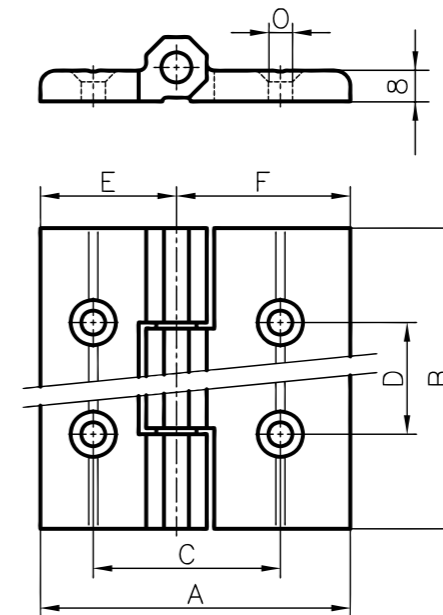
GD-Zn, nickel plated
(black powder coated on request)
Pin: steel zinc coated
washer: PA-6 white

Order data	Order number
Base A B C D E F O	
50 78 50 54 30 39 39 6.3	A60-21*
50/40 73 50 49 30 34 39 6.3	AC6-21*/**
50/30 67 50 43 30 28 39 6.3	AB6-21*
40 68 50 44 30 34 34 6.3	C60-21*
40/30 62 50 38 30 28 34 6.3	CB6-21*
30 56 50 32 30 28 28 6.3	B60-21*
20 40 40 25 25 20 20 5.3	D60-21*

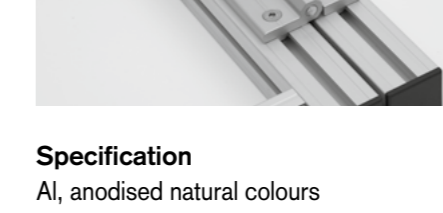
Al-heavy duty hinges

Order data	Order number
Base A B C D E F O	
50 92 100 54 75 46 46 6.3	A60-30*
50/40 82 100 49 75 36 46 6.3	AC6-30*
45 72 100 49 75 36 36 6.3	E60-30*
40 72 100 44 75 36 36 6.3	C60-30*

Al-heavy duty hinges fixed type



Al, anodised natural colours
Pin: steel zinc coated
bush bearing: iglidur G, grey



Specification

Al, anodised natural colours
Pin: steel zinc coated
bush bearing: iglidur G, grey

Order data	Order number
Base A B C D E F O	
50 92 100 54 75 46 46 6.3	A60-30*
50/40 82 100 49 75 36 46 6.3	AC6-30*
45 72 100 49 75 36 36 6.3	E60-30*
40 72 100 44 75 36 36 6.3	C60-30*

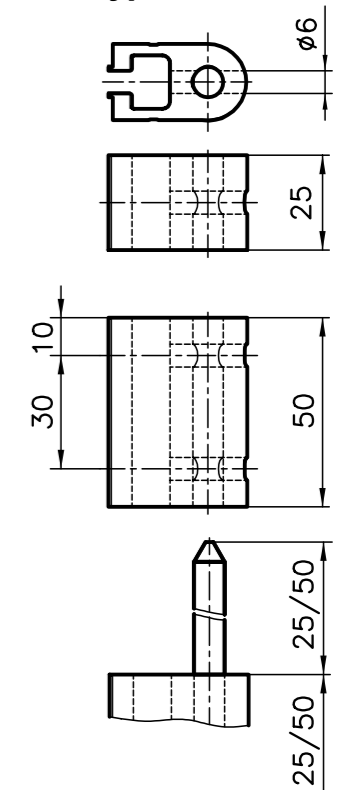
* the order number for the fixing kit add

-S to the art.no.:

Example: A60-21-S

** also applicable for 45x45

Special hinges lift-off type



Al anodised natural colours
Pin Ø 8mm: steel zinc coated



Specification

Al anodised natural colours
Pin Ø 8mm: steel zinc coated

Order data	Order number
Base A B C D E F O	
50 92 100 54 75 46 46 6.3	A60-30*
50/40 82 100 49 75 36 46 6.3	AC6-30*
45 72 100 49 75 36 36 6.3	E60-30*
40 72 100 44 75 36 36 6.3	C60-30*

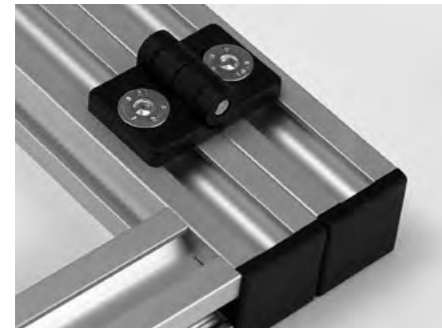
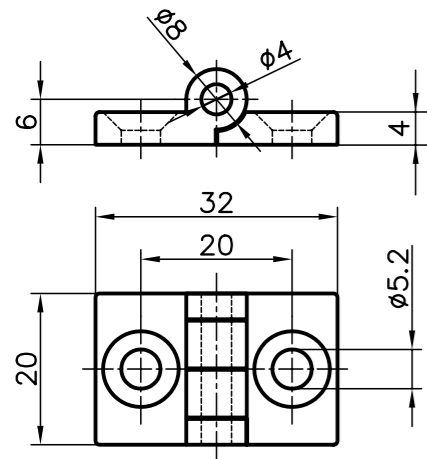
* the order number for the fixing kit add

-S to the art.no.:

Example: A60-21-S

** also applicable for 45x45

Plastic hinge Base 20 fixed



Application

For smart work structures which are set up on Base 20, these hinges are a compact solution. With an axial dimension of 20mm, there are no gaps between the extrusions.

Specification

PA-GF, black
Pin: zinc-coated steel

Fixing kit*

Screws and threaded plates

Order data **Order number**

Base 20 D60-00-PA*

* Item number for fixing kit:
add -S to the order number
Example: A60-28-S

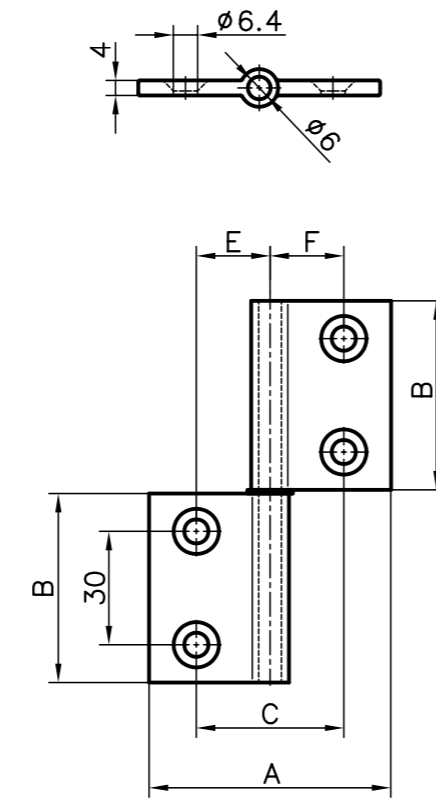
Application

The flat band hinges are mounted in a concealed position. When the doors are closed, only the hinge is visible. This provides an attractive design for swing doors. It also has the advantage that when the door is closed, the flat band hinge cannot be

Measurement data **Order number**

Base	A	B	C	E	F	Order number
50	84	50	60	30	30	A60-29*
45	84	50	55	27.5	27.5	E60-29*
40	84	50	50	25	25	C60-29*
30	64	50	40	20	20	B60-29*
50/45	84	50	57	29.5	27.5	AE6-29*
50/40	84	50	55	30	25	AC6-29*
45/40	84	50	52.5	27.5	25	EC6-29*
45/30	74	50	47.5	27.5	20	EB6-29*
40/30	74	50	45	25	20	CB6-29*
50/30	84	50	50	30	20	AB6-29*

Aluminium flat hinge

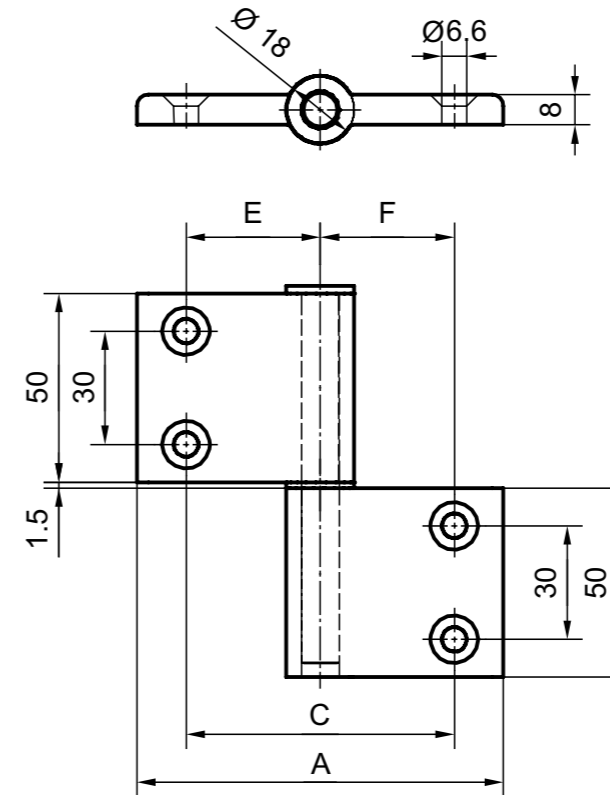


removed. This is important when considering the safety aspects.

Specification

Anodised aluminium
Pin: Stainless steel

Aluminium flat hinge



Application

The flat band hinges are mounted in a concealed position. When the doors are closed, only the hinge is visible. This provides an attractive design for swing doors. It also has the advantage that when the door is closed, the flat band hinge cannot be removed. This is important when considering the safety aspects.

Specification

Anodised aluminium
Pin: Stainless steel

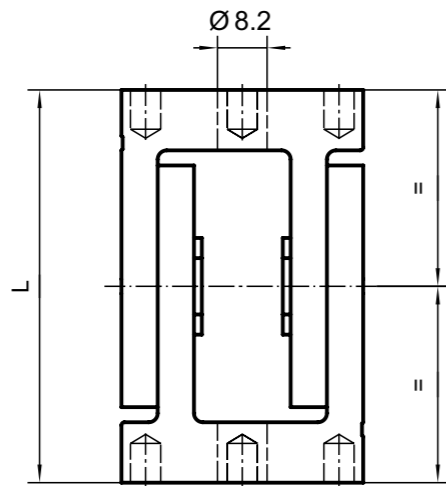
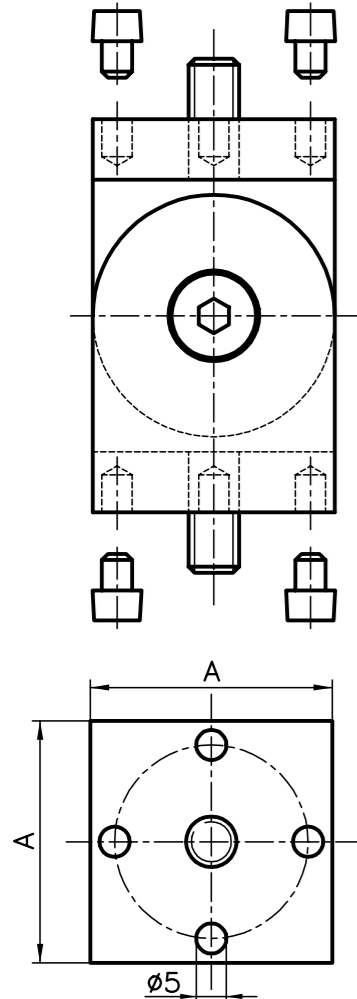
Measurement data **Order number**

Base	A	B	C	E	F	Order number
30/30	77	50	48	24	24	B60-31*
40/40	97	50	58	29	29	C60-31*
45/45	97	50	63	31.5	31.5	E60-31*
50/50	97	50	71	35.5	35.5	A60-31*
30/40	87	50	53	24	29	CB6-31*
30/45	87	50	55.5	24	31.5	EB6-31*
30/50	87	50	59.5	24	35.5	AB6-31*
40/50	97	50	64.5	29	35.5	AC6-31*
40/45	97	50	60.5	29	31.5	EC6-31*
45/50	97	50	67	31.5	35.5	AE6-31*

* Item number for fixing kit: add -S to the order number Example B60-31-S



Joint base 40/50



Application

Mainly used to strengthen structures with diagonal braces. It is also suitable to be used as a hinge for swivelling equipment stands, doors, etc. The (5 mm holes are designed to take dowels (which are included). Insert the dowels to give greatest stability.

Specification

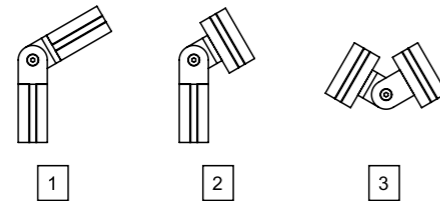
Aluminium, matt, anodised in natural colours

Screws and flats: steel zinc coated

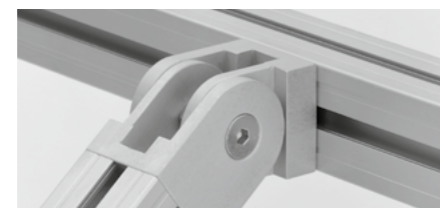
Parts supplied

- 2 assembled joint halves
- 4 flats
- 1 fixation material S1, S2 or S3 as per situation 1 / 2 / 3

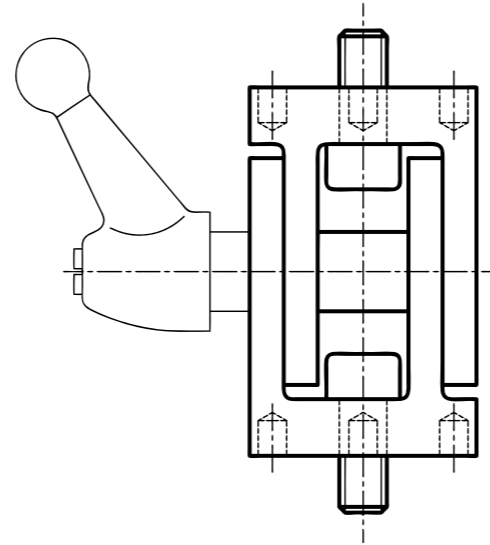
Assembly situation



Fixation sets supplement product number with -S1, -S2 or -S3.



Joints base 40/50 with clamp lever



Specification

Aluminium, matt, anodised in natural colours

Screws and flats: steel zinc coated

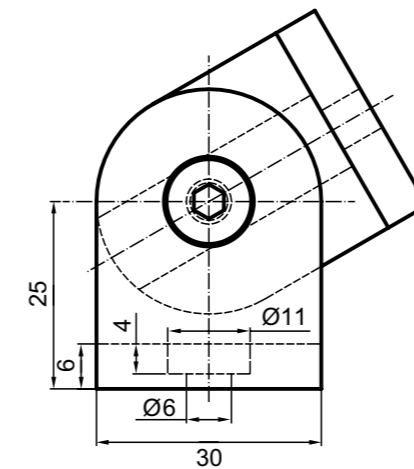
Parts supplied

- 2 assembled joint halves
- 4 flats
- 1 fixation material S1, S2 or S3 as per situation 1 / 2 / 3

Order data	Order number		
Joint with clamping lever	A	L	
Base 50	50	85	A61-01
Base 40	40	65	C61-01

Order data	Order number		
Joint	A	L	
Base 50	50	85	A61-00
Base 40	40	65	C61-00

Joint base 30



Application

The joints of the basis 30 are fundamentally used as connecting elements in which a connection crosswise to the groove can be generated. At the front, the joint is screwed with a thread insert. The connection laterally to a profile is done with a threaded plate and the matching screw. The variant without clamp lever is clamped when the screw is tightened. The joint is not designed for permanent movement.

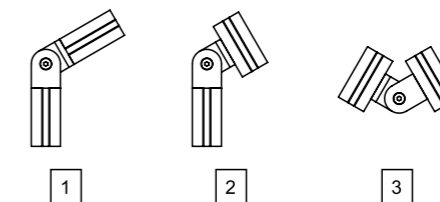
Specification

Aluminium, matted, natural coloured anodised

Parts supplied

- 2 joint halves loose
- 1x fixation material S1, S2 or S3 pursuant to situation 1 / 2 / 3
- 1 distance busing
- 1 counter sunk screw M6x30

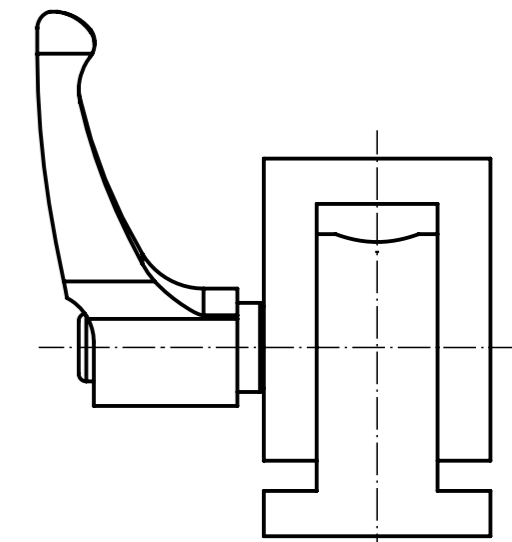
Assembly situation



Fixation sets supplement product number with -S1, -S2 or -S3.
For example: B61-00-S1

Order data	Order number	
Joint base 30	B61-00	

Joint base 30 with clamp lever



Application

The joint with clamp lever serves to create pivotable constructions easily. It is important here that the joint does not have to absorb strength against the course of the thread as it can otherwise become loose.

Specification

Aluminium, matted, natural coloured anodised

Parts supplied

- 2 joint halves loose
- 1x fixation material pursuant to situation 1 / 2 / 3
- 1 clamp lever M6

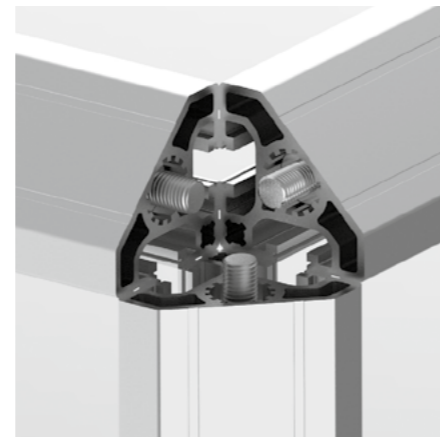
Order data	Order number	
Joint base 30 with clamp lever	B61-01	

Corner pieces

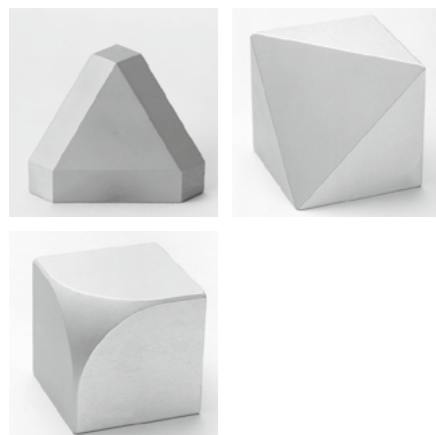


Attachment

All corner pieces can be mounted using three threaded connectors for the respective extrusion sizes. These can be found on [page 140](#) or simply order a fixing kit. The order number of the fixing kit consists of the respective item number of the corner piece to which -S is added.



Corner piece fixing kit 3 threaded connectors



Application

Gives an attractive finish to the corners of display cases, work benches, office furniture, cabinets and other well designed structures. Available rounded or diagonally cut.

Fixing kit*

3 PVS connectors with thread

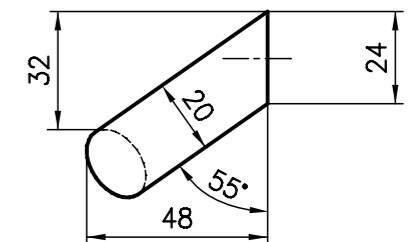
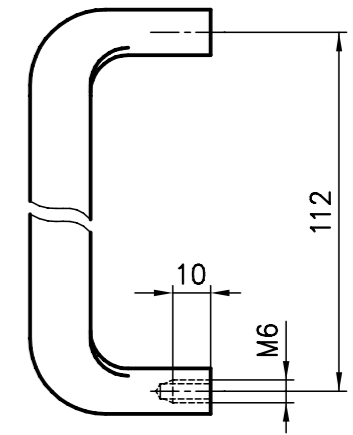
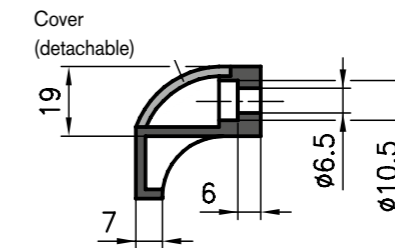
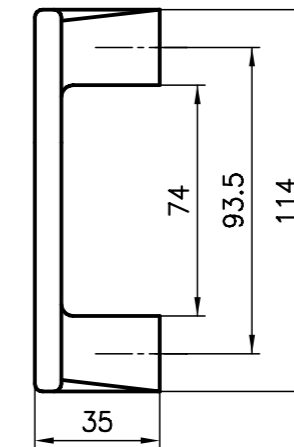
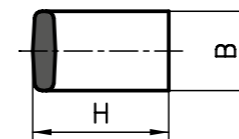
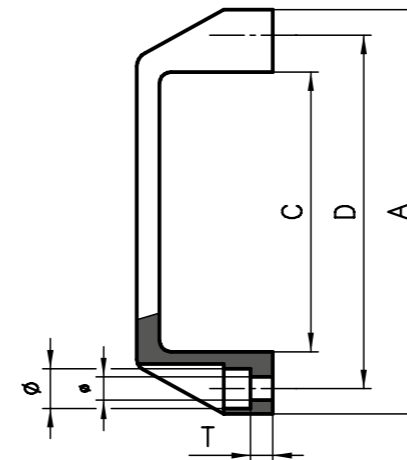
Specification

Aluminium, anodised in natural colours
Attached by a PVS threaded connector

Order data	Order number	
Corner piece	round	flat
Base 50 extrusions	A70-00*	A71-00*
A02-8 extrusion		A71-08*
Base 40 extrusions	C70-00*	C71-00*
C02-8 extrusion		C71-08*
Base 30 extrusions	B70-00*	B71-00*
Base 20 extrusions	D70-00*	D71-00*

* Fixing kit: add -S to the order number
Example: A70-00-S

Handles



Application

Highly versatile. Two sizes are available from standard stock. Fixed in place from the inside or outside using M5/8 screws.

Specification

PA-GF, black

Measurement data

Handle	A	B	C	D	H	T	Ø	ø
small	107	21	74	93.5	36	6	10.5	6.5
medium	122	19	82	100	33	13	8.5	5.5
large	134	26	95	117	41	6.5	13.5	8.5



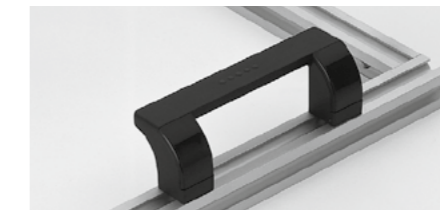
Order data	Order number
Small handle	B65-00
Medium handle	B65-01
Large handle	A65-01

Application

A modern looking, ergonomic handle (mainly used on 20 and 30 base extrusions).

Specification

PA-GF, black



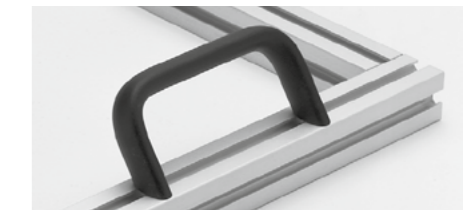
Order data	Order number
Ergo handle	D65-01

Application

A modern looking, ergonomic handle (mainly used on 20 and 30 base extrusions).

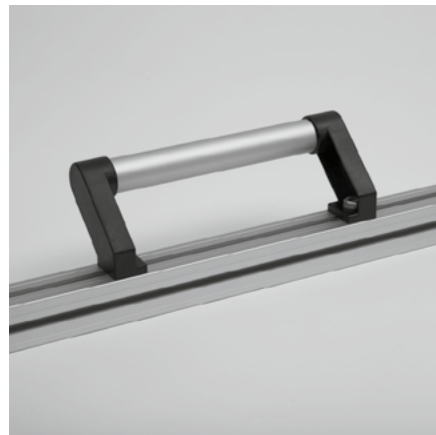
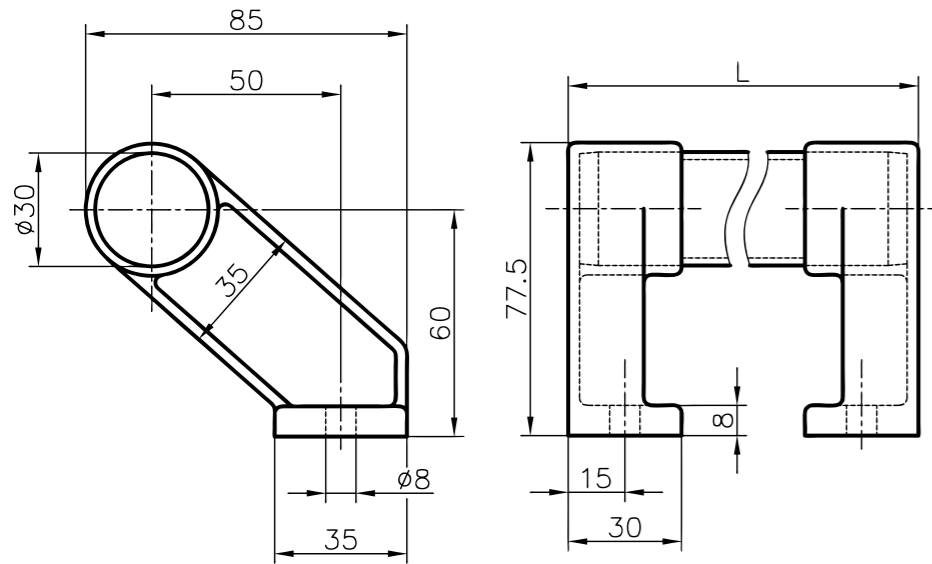
Specification

Aluminium black RAL 9005 (plastic coated)
Aluminium natural colour anodised



Order data	Order number	
Handle	black	anodised
	A65-05	A65-06

Tube handle offset



Application

These strong tubing grasps are suitable for heavy sliding doors, large windows or also as impact handles for trolleys.

With double sliding doors and critical space conditions, anywhere that risk of trapping hands exists, the offset tubing grasp is highly recommended.

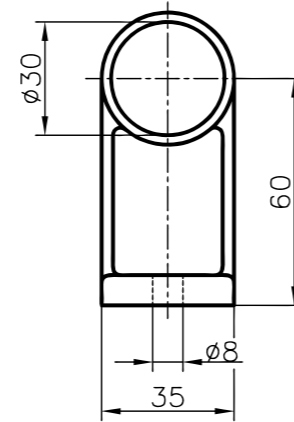
Specification

Support: PA-GF, black
Tube: Al, anodised

Order data	Order number	
	L	
Tube handle offset	250mm	A65-22
Tube handle offset	300mm	A65-23
Tube handle offset	400mm	A65-24
Tube handle offset	500mm	A65-25

Other length available as per request.

Tube handle straight



Specification

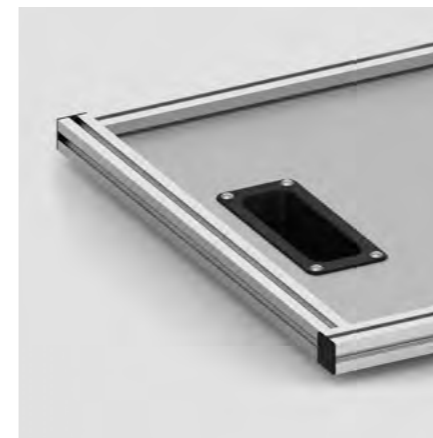
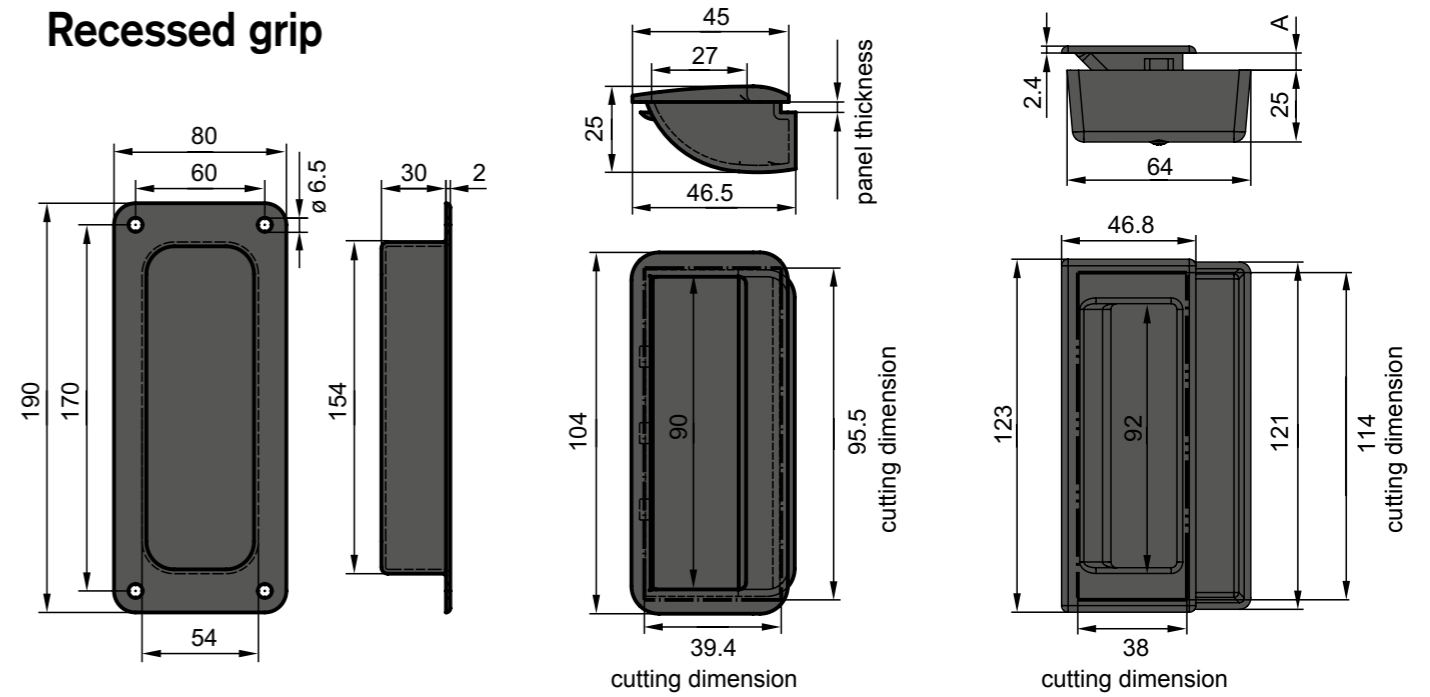
Support: PA-GF, black
Tube: Al, anodised

Order data	Order number	
	L	
Tube handle straight	250mm	A65-12
Tube handle straight	300mm	A65-13
Tube handle straight	400mm	A65-14
Tube handle straight	500mm	A65-15

Other length available as per request.

Recessed grip

Recessed grip



Order data	Order number			
Thickness:	2mm	3mm	4mm	5mm
Grip recess, black	A65-32	A65-33	A65-34	A65-35
Grip recess, light-grey	A65-42	A65-43	A65-44	A65-45

Recessed grip with clip function

These recessed grip are suitable for sliding doors as well as for light swing doors. With the clip function, installation is very easy.

Specification

ABS plastics

Recessed grip screwable

This recessed grip is suitable for sliding or swing doors. The fingers find enough space in the bowl for a good grip. For transparent panel elements, we recommend the retractable recessed grip.

Specification

ABS plastics

Application

A recessed grip made of plastic that is sufficiently large for a hand wearing a glove to be inserted. Or you use this as a storage recess for small parts. Simple fixation by means of screws/rivets.

Specification

PA-GF black mat and grey

Order data	Order number
Recessed grip	A65-50



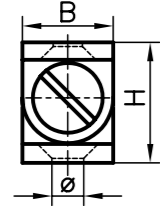
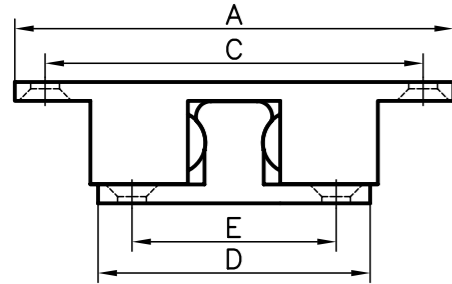
Fixing kit

- 1x front side
- 1x finger protection (back side)
- 2x lenshead, screws $\phi 3 \times 18$, galvanized steel

Thickness A: 0.5 – 5mm
Colour: black

Order data	Order number
Recessed grip, screwable	A65-55

Ball catches



Measurement data

Size	A	B	C	D	E	H	ø
Small ball catch	59	10.5	50	38	27	16.4	3.6
Large ball catch	69	13	57	42	30	20	4.2

Application

The handle strip is used as drawer handle. It's also possible to use it for doors and windows.

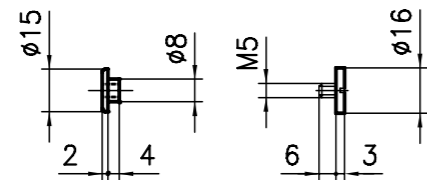
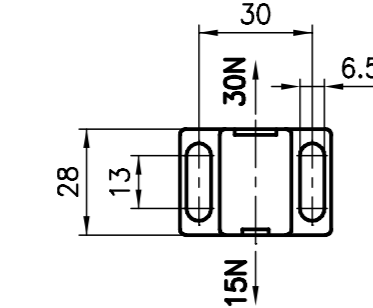
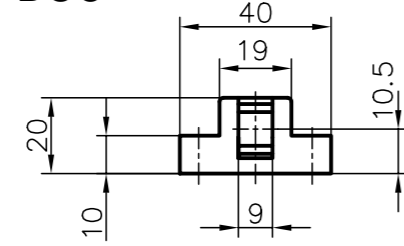
Specification

Brass (chromium-plate steel balls)
Clamping force adjustable



Order data	Order number
Small ball catch	A66-00
Large ball catch	A66-10

Magnetic fasteners DUO



Application

This magnetic catch is highly adaptable. You can choose between two retention forces, depending on your requirements. The elongated holes also permit a large adjustment range.

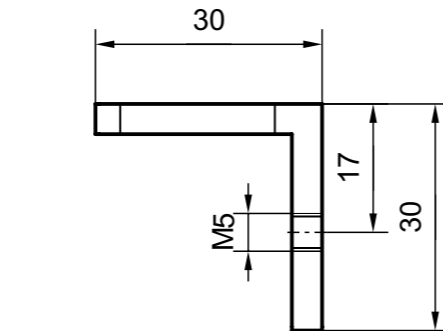
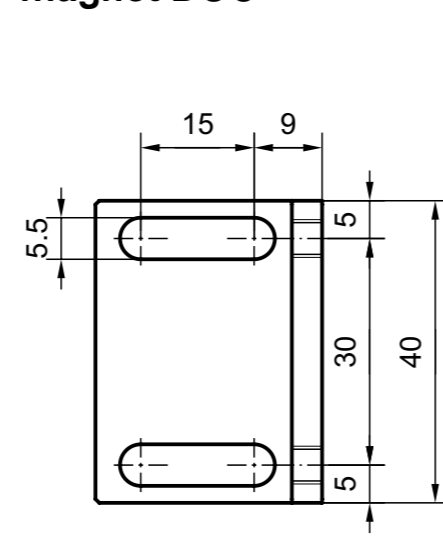
Specification

Black plastic with a permanent magnet / pan-head screw with nut.



Order data	Order number
Magnetic fasteners DUO	A67-20

Mounting bracket magnet DUO



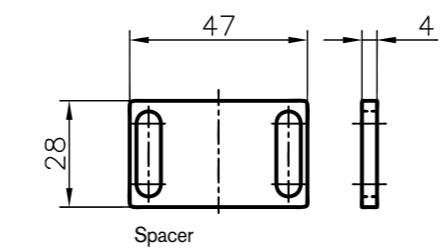
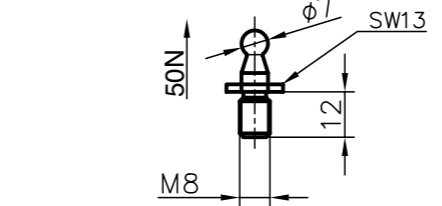
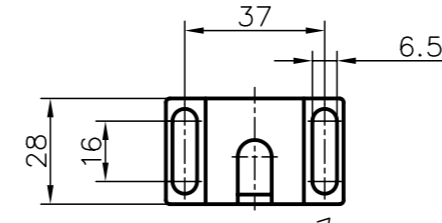
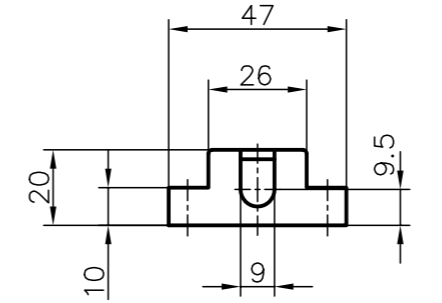
Application

This bracket allows the installation of the magnetic lock Duo. With the slit you can adjust the final position.



Order data	Order number
Mounting bracket magnet DUO	A67-21

Ball catches



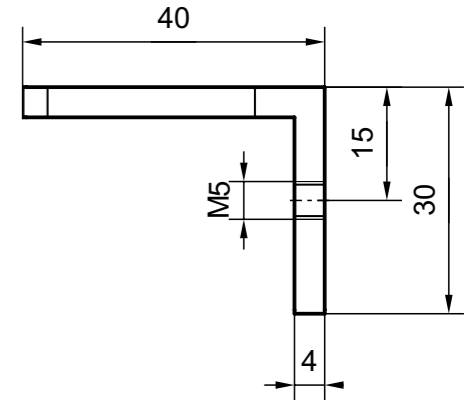
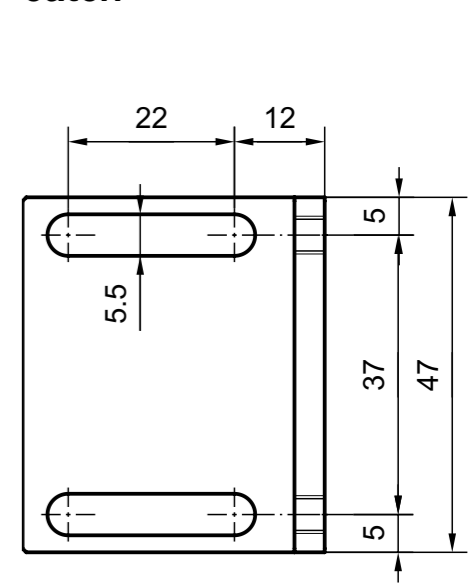
Specification

PA-GF, black
fixing screw: steel zinc coated



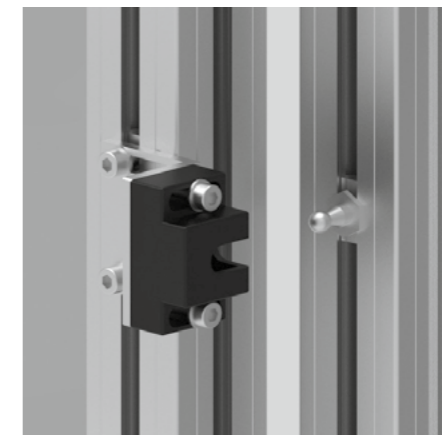
Order data	Order number
Ball catches	A66-50
Spacer	A66-54

Mounting bracket ball catch



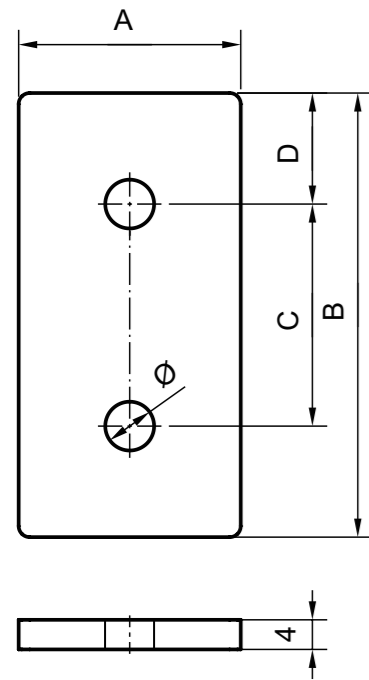
Application

This bracket allows the attachment of the ball catch. You can adjust the final position with the the slot.



Order data	Order number
Mounting bracket ball catch	A67-51

Lug



Application

The lugs in the basic dimensions 30x60, 40x80 and 50x100 can be used universally and offer many application possibilities.

Specification

Al, anodised in natural colour

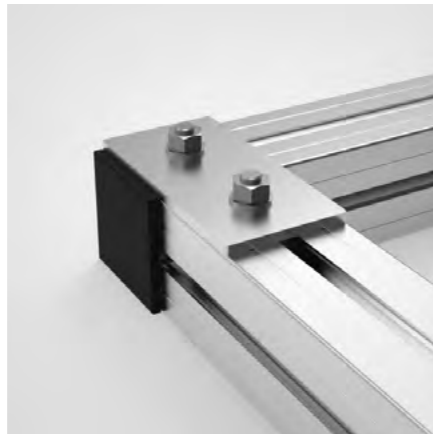
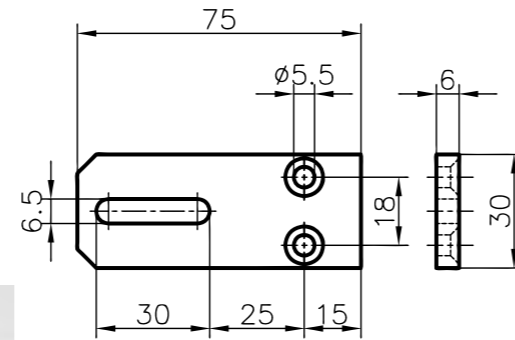
Measurement data

	A	B	C	D	Ø
Base 30	30	60	30	15	6.6
Base 40	40	80	40	20	9
Base 50	50	100	50	25	9

Order data

Order data	Order number
Lug 30x60	B62-30
Lug 40x80	C62-30
Lug 50x100	A62-30

Arrester plate



Application

As door- or window arresters with fixing possibility. It is possible to screw the arrester plate through the slot and make it secure. It's also qualified as a simple connecting element.

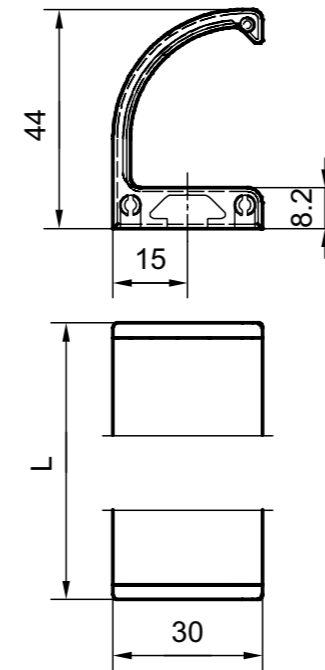
Specification

Al, anodised in natural colour

Order data

Order data	Order number
Arrester plate	C62-10

Handle strip



Application

The handle strip is used as drawer handle. It's also possible to use it for doors and windows.

Specification

Al, anodised in natural colour

Parts supplied

incl. 2 end cap

Order data

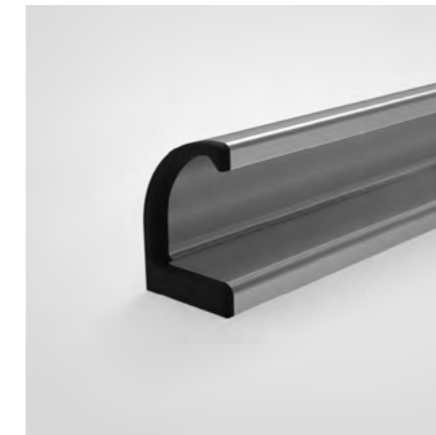
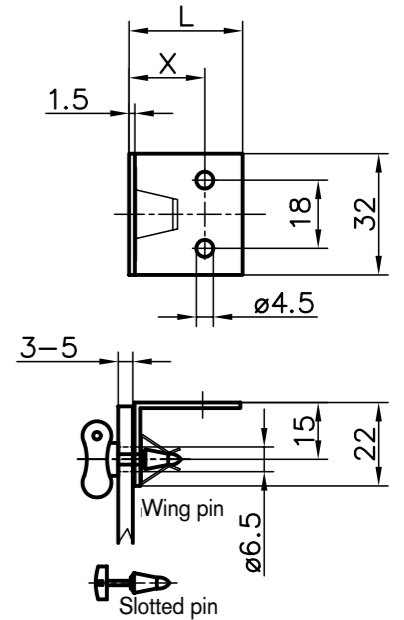
Order data	Order number
Handle strip 200 mm*	B65-62
Handle strip 300 mm*	B65-63
Handle strip 400 mm*	B65-64

*incl. end cap

L = 200 mm incl. end cap

Other length available as per request.

Quick-release fasteners



Application

For the quick fitting and removal of paneling. Simply press the wing or slotted pin in with your thumb; a quarter turn releases it.

Specification

Brackets and bolts: stainless steel
Spacer ring: rubber

Order data

Order data	Order number	Order number	Order number
	L = 18	L = 24	L = 30
	X = 8.5	X = 15	X = 18.5
Quick-release fastener with a wing pin	A64-10	A64-12	A64-11
Quick-release fastener with a slotted pin	A64-20	A64-22	A64-21

Rod lock



Application

The rod lock is installed inside 50, 45, 40 and 30 mm base extrusions. The extrusions have to be milled in the area of the handle. It has a double rod locking mechanism. The rod is cut to the appropriate installation length.

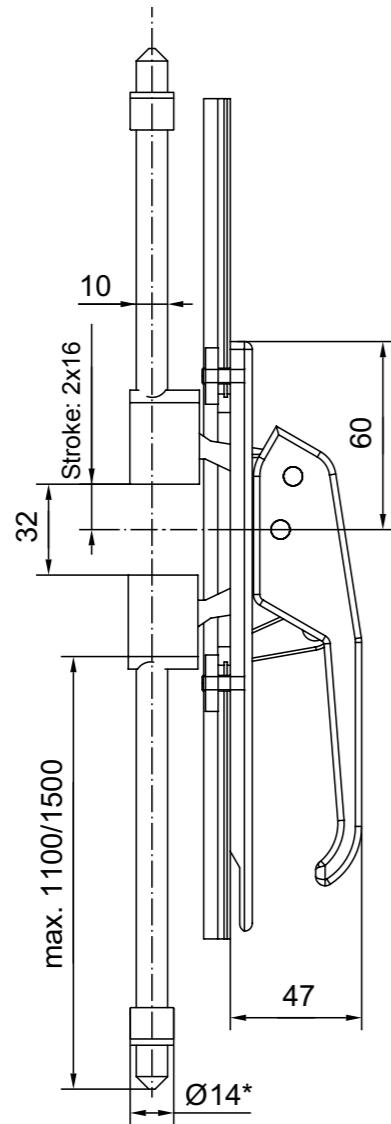
Specification

Handle: grey (RAL 7015)
Rod: zinc-coated steel

max. length per rod:
base 50/45/40 max. 1500mm
base 30 max. 1100mm

Parts supplied

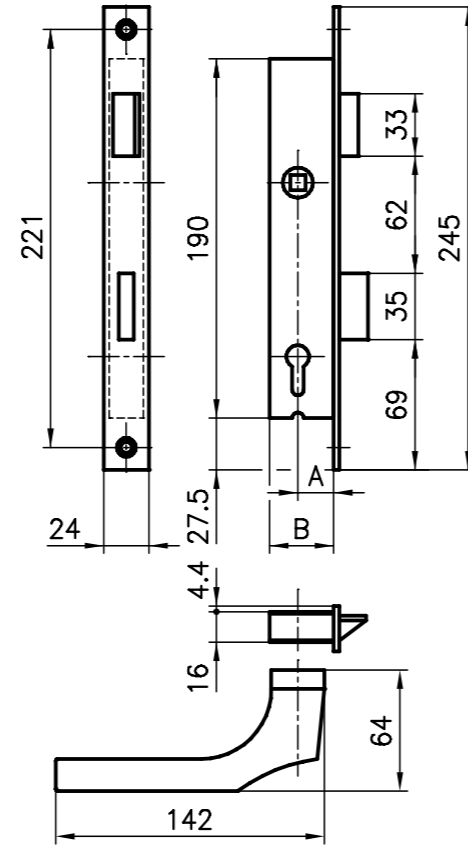
- 1 handle with 2 rod adapters
- 2 rods
- 2 plain bearing bushes
- 2 guide bushings
- 2 countersunk screws M5 and 2 threaded plates



* Base 30: Ø12

Order data	Order number			
Rod bolt unlockable				
Base	50	45	40	30
	A68-07	E68-07	C68-07	B68-07
Rod bolt lockable				
Base	50	45	40	30
	A68-08	E68-08	C68-08	B68-08

Inset lock



Application

Lockable and built into the extrusions Base 50, 40 and 30. The extrusion must be milled.

Specification and parts supplied

Lock: zinc-coated steel
Cylinder: Nickel plated brass
Key: Nickel plated steel (3supplied)
Handle and escutcheon: Al anodised

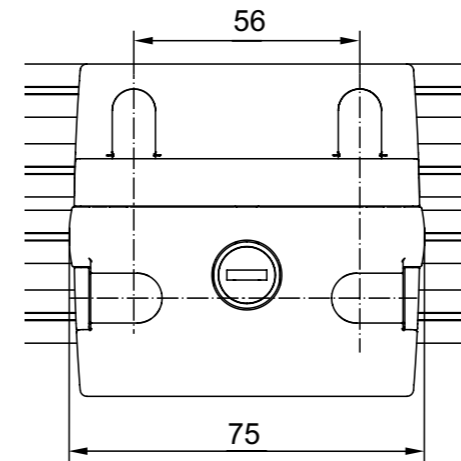
Fixing kit*

Screws and threaded plates

Order data	Order number		
Inset lock			
Extrusion Base	A	B	
50	27	42	A68-00*
40	19	34	C68-00*
30	15	30	B68-00*

* Fixing kit: add -S to the order number
Example: A68-00-S

Snap-lock



Application

The snap-lock comprises a door housing with a latch as well as a framework housing. Its versatile design allows the lock to be used for different widths of extrusion. Another advantage is that it is very easy to open and close.

Specification

GD-Zn, black
instant locking, 2 keys
4 M6 square nuts



Order data	Order number
Snap-lock	A68-51

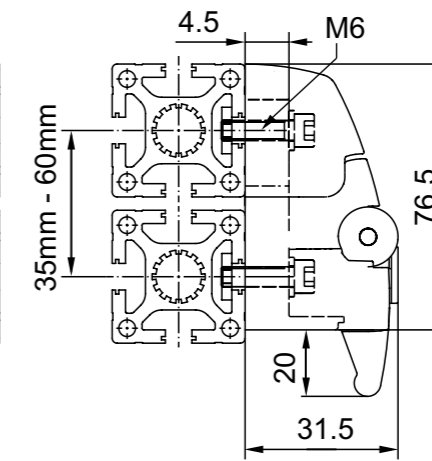
Safety switches

Application

Safety switches are mandatory in many applications. If required by the customer, we will provide and set up the mechanical assembly. Simply send us the switch and we will integrate it in the structure.

Depending on the potential risk, the switches must fulfill various functions, e.g.:

- mechanical locking without power
- signal when door closed
- enabling/disabling of automatic processes



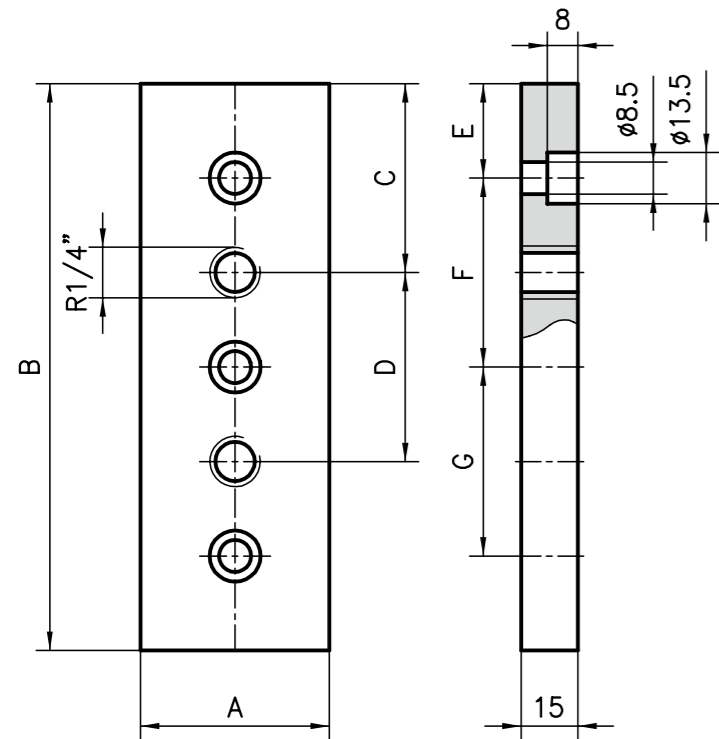
Locking handle

Application

Lockable machine doors, such as switch cabinets, service doors or easy access points, are often made with the industry standard locking handle. We also integrate these into our designs.



Sealing plates



Application
To seal the cut ends of manifold extrusions. Air, water, oil or other media can be supplied or drained off with the appropriate gas fittings.



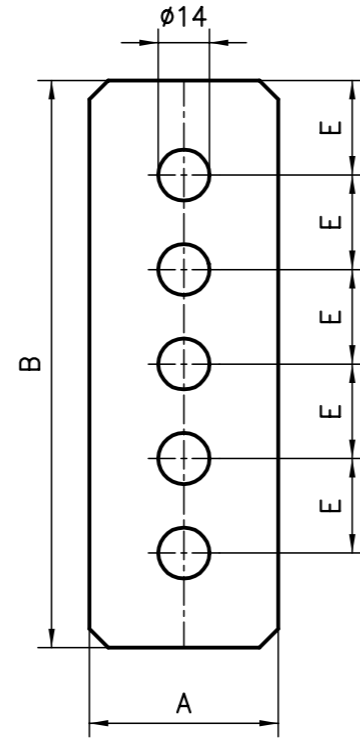
Fixing kit*
Screws + threaded inserts

Specification
Al, anodised in natural colours
1/4" gas connection

Order data	Order number							
Sealing plates	A	B	C	D	E	F	G	
40x80 extrusion	40	80	40	-	20	40	-	C80-30*
50x100 extrusion	50	100	50	-	25	50	-	A80-10*
50x150 extrusion	50	150	50	50	25	50	50	A80-30*

* Fixing kit: add -S to the order number
Example: C80-30-S

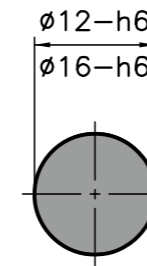
Flat sealing element



Order data	Order number
Flat sealing element for the sealing plate	
Profil 40x80	C80-31*
Profil 50x100	A80-11
Profil 50x150	A80-31

*only with base extrusion C01-3

Steel shafts



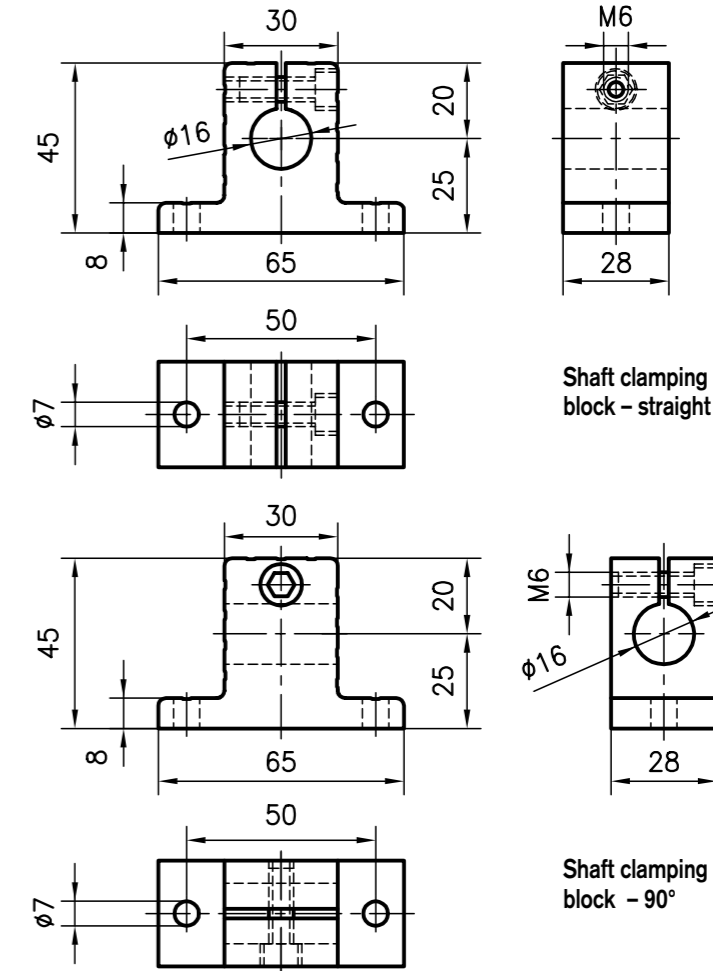
Application
The steel shafts are used in combination with the linear sliding block and the shaft clamping blocks assembled on the appropriate extrusion framework. This serves to create high load-bearing linear guides.

Specification
Steel, Cf 53, hardened, ground
Hardness: HRc 62 ± 2
Ø 12 0.9 Kg/m
Ø 16 1.5 Kg/m



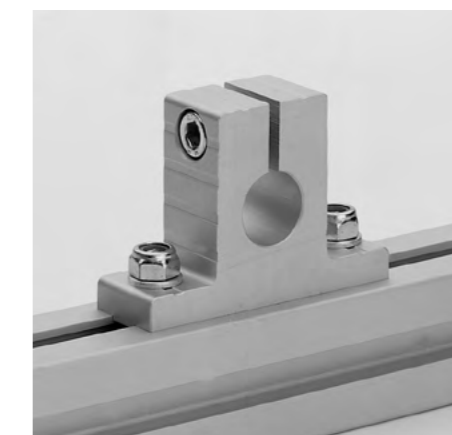
Order data	Order number
Steel shaft ø12	
Standard length 6000 mm	L12-20-6M
Cut to length	L12-20-02-02/...
Steel shaft ø16	
Standard length 6000 mm	L16-20-6M
Cut to length	L16-20-02-02/...

Shaft clamping block



Shaft clamping block - straight

Shaft clamping block - 90°

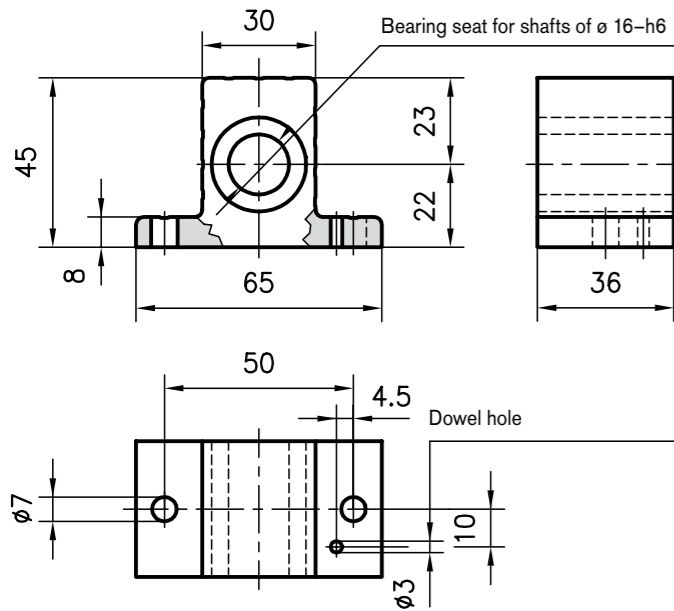


Application
A high-precision linear bearing system can be created very easily with the components, i.e. the shaft clamping block, the linear bearing block and the steel shaft. As there are two different shaft clamping blocks, the system can be assembled flexibly. The fixing centres combine well with the PVS® extrusions.

Specification
Aluminium, anodised in natural colours
Scope of delivery including screws.

Order data	Order number
Shaft clamping block - straight	L16-60
Shaft clamping block - 90°	L16-65

Linear sliding block



Specification

Housing: aluminium, anodised in natural colours
 Linear bearing: steel, sealed on both sides, maintenance-free



Application

The guide extrusion 40x100 is used for high load linear slides. Because of the steel shaft support on one side, the distance between the guides can be freely selected. The shaft is pressed into the designated slot. A stop can be attached to

Load rating

dynamic	static
850 N	620 N

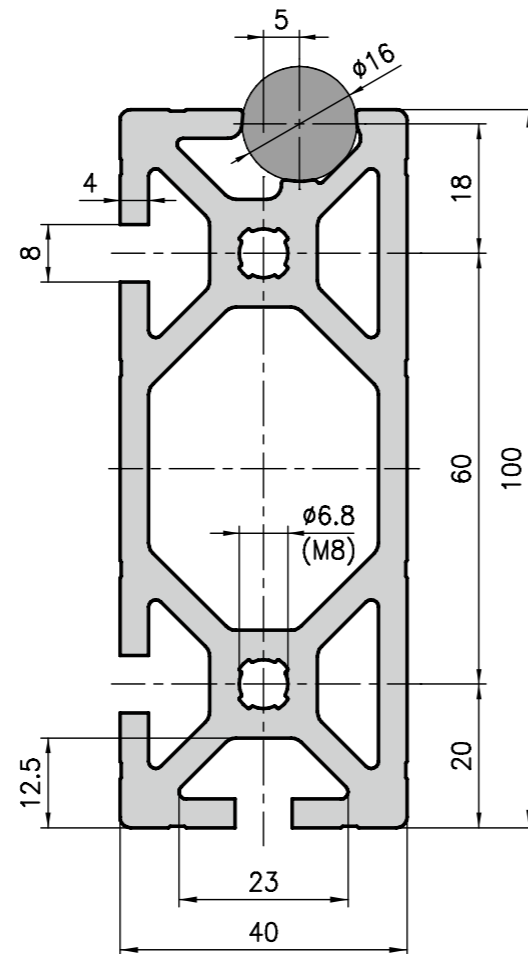
Order data **Order number**

Linear sliding block	L16-68
----------------------	--------

Technical data

I _x	=	172.22 cm ⁴
I _y	=	31.92 cm ⁴
W _x	=	33.83 cm ³
W _y	=	15.95 cm ³
Cross-section area	=	16.75 cm ²
Weight	=	4.5 kg/m

Shaft support extrusion 40x100 Type L16-10



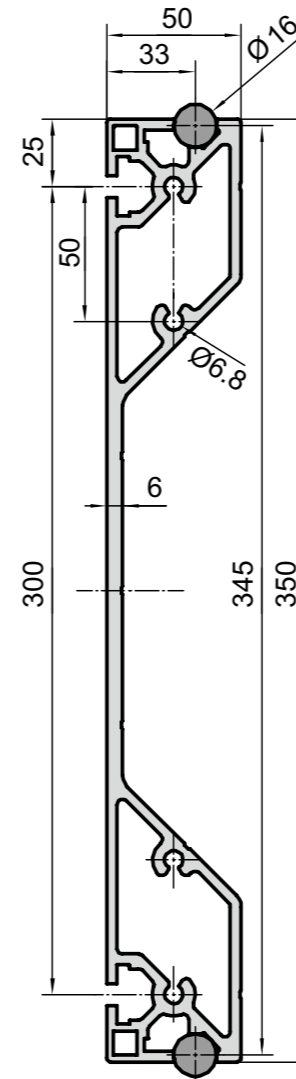
the front face in the holes Ø 6.8 with a M8 thread.

The side plates or side construction must be specially designed for this guide, therefore they are only available on request.

Order data **Order number**

Shaft support extrusion 40x100	
Standard length 6100 mm	L16-10-6.1M
Shaft support extrusion 40x100	
Cut to length	L16-10-02-02/...
Extra machining	Pages 43-47

Shaft support extrusion 50x350 Type L16-15



Application

With this guide profile, the shafts are pressed in on both sides. For this guidance, the slide plates or the slide construction must be specially designed in each case, therefore these are only available on request.

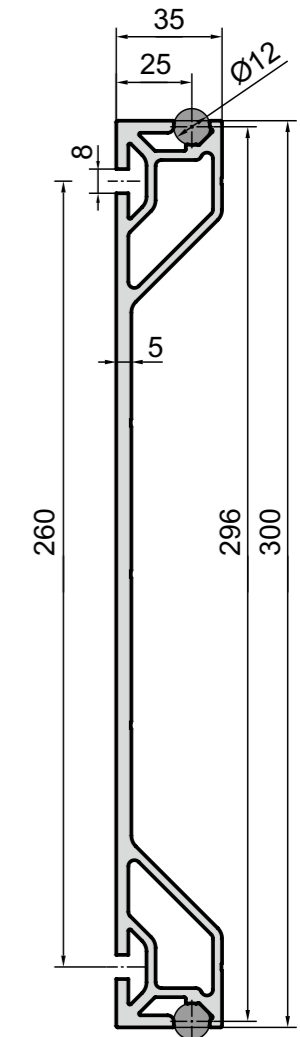
Technical data

I _x	=	5400.00 cm ⁴
I _y	=	107.00 cm ⁴
W _x	=	308.00 cm ³
W _y	=	123.20 cm ³
Cross-section area	=	37.40 cm ²
Weight	=	10.13 kg/m

Order data **Order number**

Shaft support extrusion L16-15	
Standard length 5800mm	L16-15-5.8M
Shaft support extrusion L16-15	
Cut to length	L16-15-02-02/...

Shaft support extrusion 35x300 Type L12-10



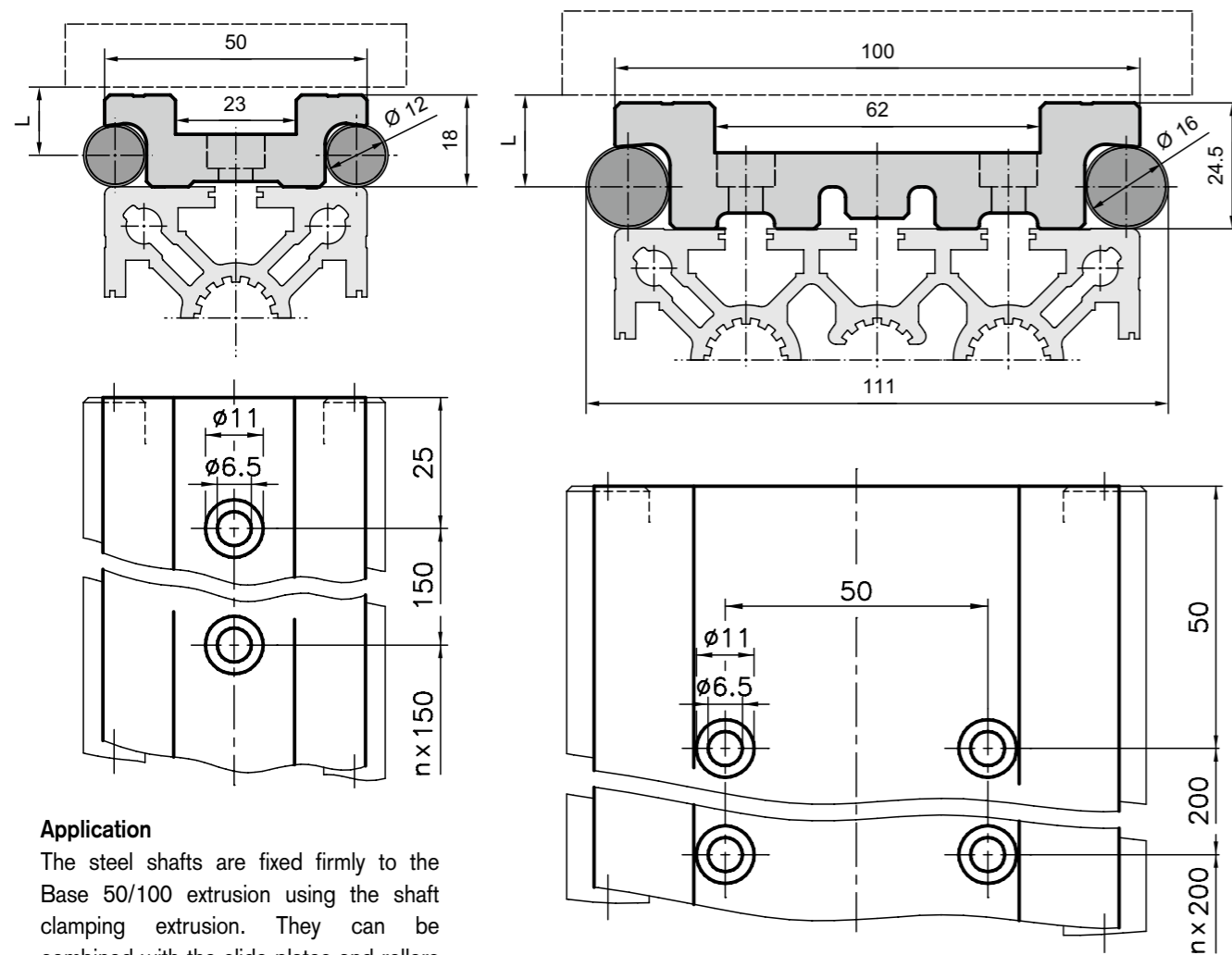
Technical data

I _x	=	2768.00 cm ⁴
I _y	=	28.90 cm ⁴
W _x	=	184.50 cm ³
W _y	=	17.00 cm ³
Cross-section area	=	24.78 cm ²
Weight	=	6.71 kg/m

Order data **Order number**

Shaft support extrusion L12-10	
Standard length 4400 mm	L12-10-4.4M
Shaft support extrusion L12-10	
Cut to length	L12-10-02-02/...

Shaft clamping extrusions



Application

The steel shafts are fixed firmly to the Base 50/100 extrusion using the shaft clamping extrusion. They can be combined with the slide plates and rollers as a simple way to create linear slides to move very high loads.

Specification

Aluminium, matt, anodised in natural colours
Pre-drilled mounting holes

Order data	Order number
Shaft clamping extrusion	50 mm base
Standard length 6000 mm	L12-05-6M
Cut to length	L12-05-02-02/...
Shaft clamping extrusion	100 mm base
Standard length 6000 mm	L16-05-6M
Cut to length	L16-05-02-02/...

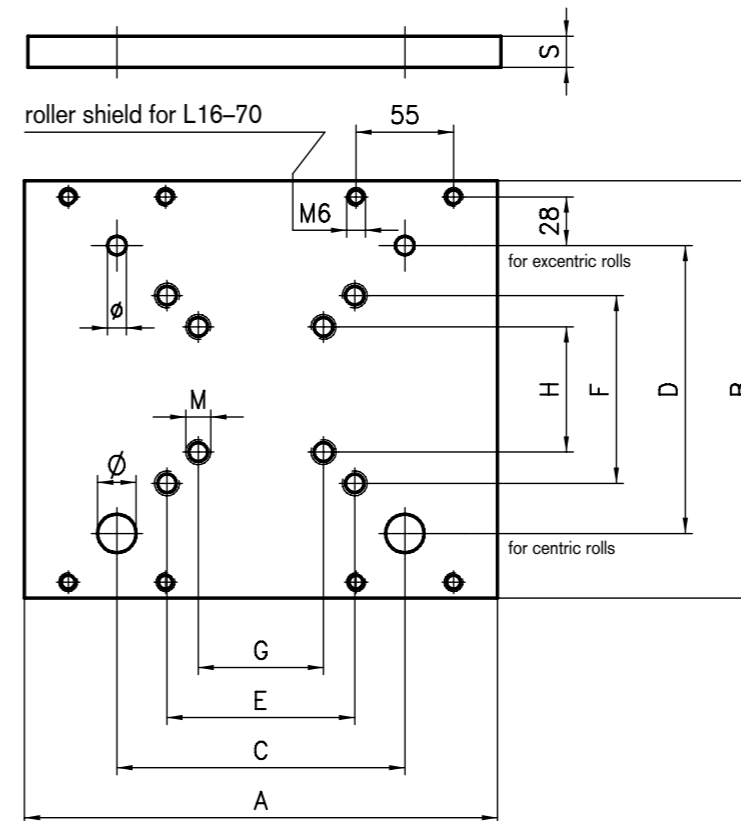


Specification

Shaft clamping extrusion complete with steel shafts Cf 53, hardened, ground and with fixing kit.

Order data	Order number
Steel clamping extr., compl.	50 mm base
Standard length 6000 mm	L12-06-6M
Cut to length	L12-06-02-02/...
Steel clamping extr., compl.	100 mm base
Standard length 6000 mm	L16-06-6M
Cut to length	L16-06-02-02/...

Slide plates



Order data	Order number	Scope of supply of L12-70
Slide plate cpl. to shaft	L12-70	1 1 plate L12-30
clamping extrusion L12-05		2 2 centric rollers L12-25
		3 2 excentric rollers L12-26
		4 2 slide plates for grease scraper L16-43
		5 4 grease scraper including fixing kit. L12-46

Measurement data

Slide plates to shaft clamping extrusion													
Base	A	B	C	D	E	F	G	H	M	s	Ø	ø	Weight
50	150	130	110	89	60	60	30	30	8	12	12	10	0.6 kg
100	300	240	200	158	100	100	50	50	8	15	20	17	2.9 kg

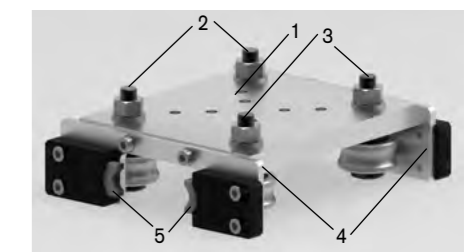
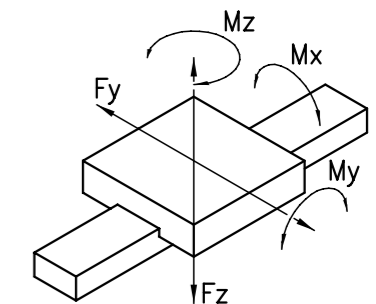
Order data	Order number	Scope of supply of L16-70
Slide plate cpl. to shaft	L16-70	1 1 plate L16-31
clamping extrusion L16-05		2 2 centric rollers L16-25
		3 2 excentric rollers L16-26
		4 4 grease scraper including fixing kit. L16-45

Application

The slide plate completes the desired linear guide. It is characterized by its high load capacity.

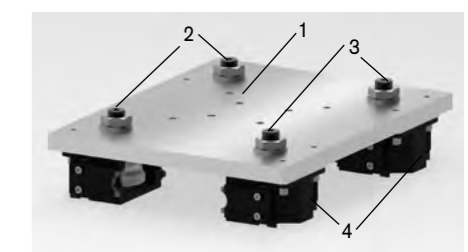
Specification

Aluminium, raw

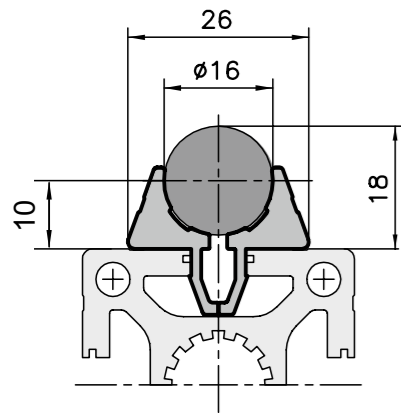


Loads and moments

static [N/Nm]						dynamic [N/Nm]					
F _y	F _z	M _x	M _y	M _z		F _y	F _z	M _x	M _y	M _z	
3000	1920	35	55	90		3000	1200	22	34	90	
7200	3400	105	160	600		7200	2100	65	100	600	



Shaft clamping extrusions 2-part Ø16

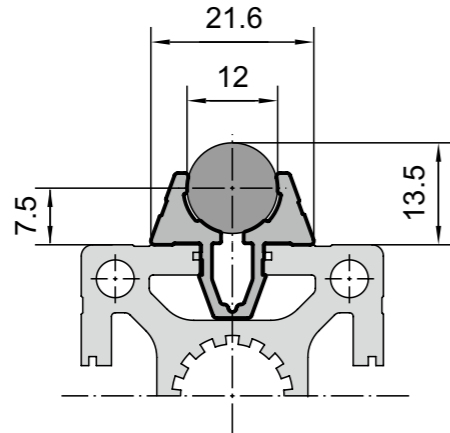


Application

For simple linear guides. The two-part shaft clamping extrusion is used to clip steel shafts Ø16 into all slots of 40 and 50 base extrusions. The beam extrusion can be freely selected depending on the strength requirements. Measure L determines the rollers illustrated on page 218 which are also required.



Shaft clamping extrusions Ø12



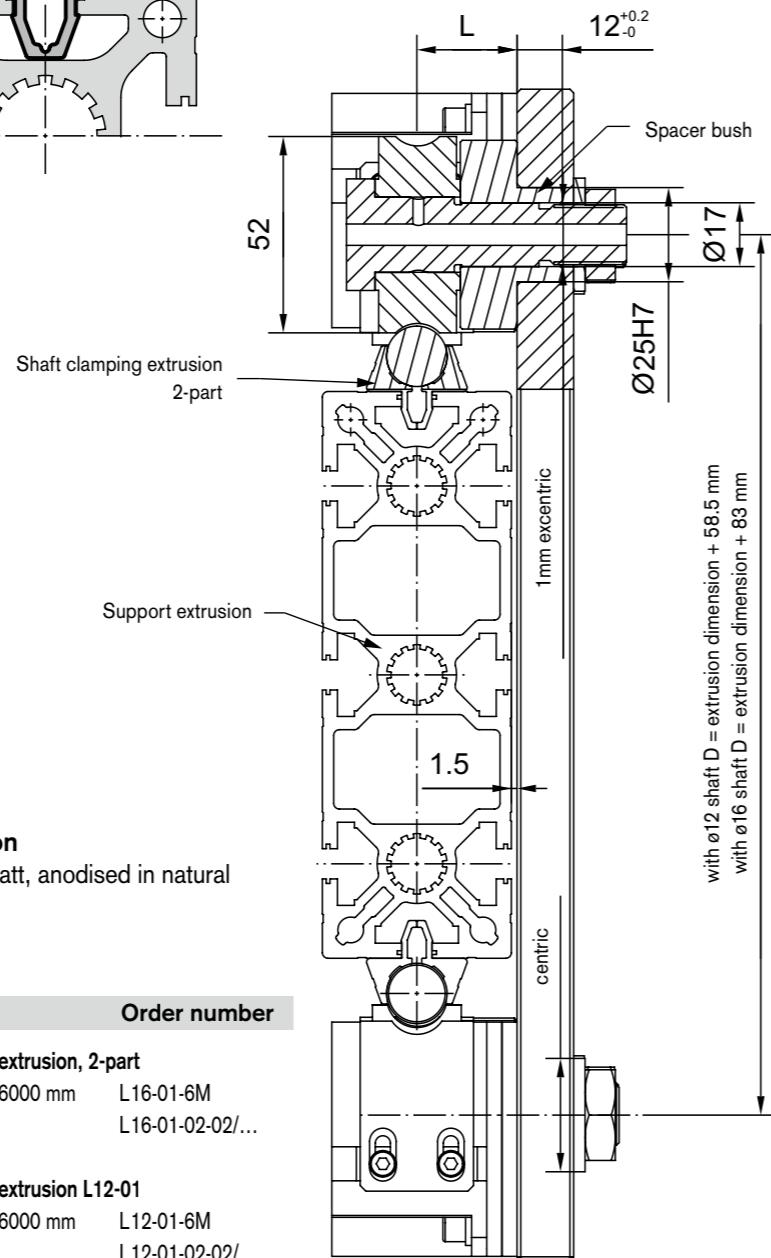
Specification

Aluminium, matt, anodised in natural colours

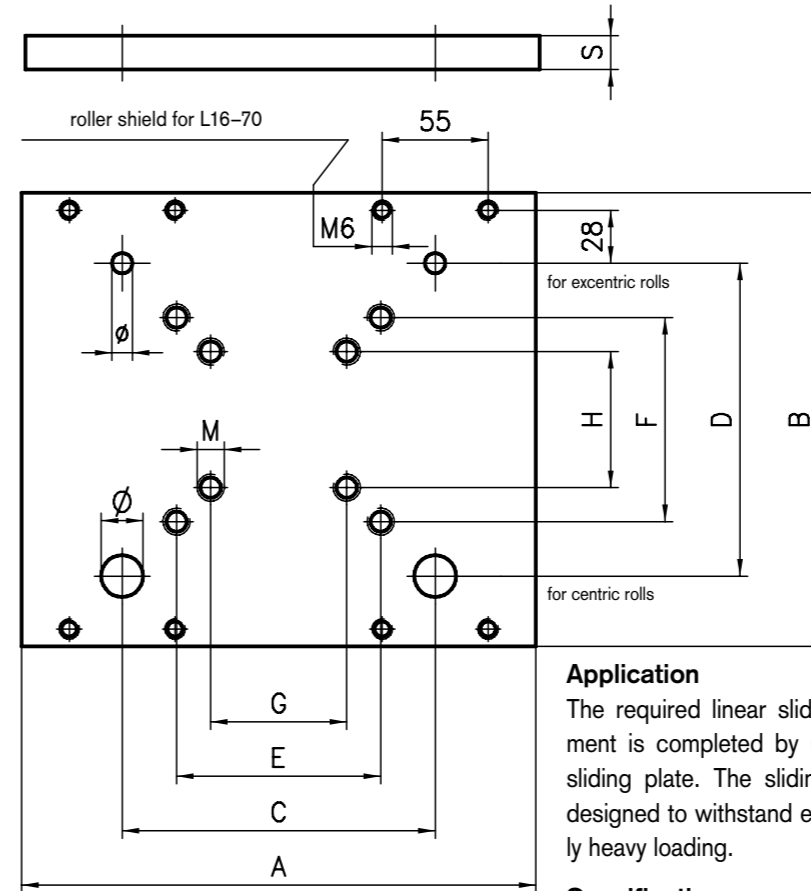
Order data **Order number**

Shaft clamping extrusion, 2-part
 Standard length 6000 mm L16-01-6M
 Cut to length L16-01-02-02/...

Shaft clamping extrusion L12-01
 Standard length 6000 mm L12-01-6M
 Cut to length L12-01-02-02/...



Slide plates



Application

The required linear slide arrangement is completed by use of the sliding plate. The sliding plate is designed to withstand exceptionally heavy loading.

Specification
 Raw aluminium

Measurement data

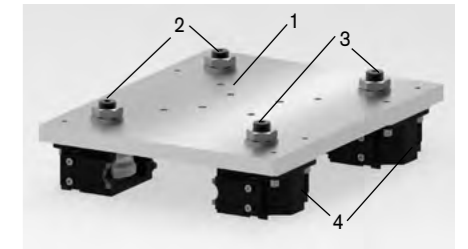
Slide plates to shaft clamping extrusion 2-part Ø16 L16-01													
Size	A	B	C	D	E	F	G	H	M	s	Ø	ø	Weight
50x150	350	310	250	233	150	150	75	75	8	15	*	*	4.3 kg
40x160	350	320	250	243	150	150	75	75	8	15	*	*	4.5 kg
Slide plates to shaft clamping extrusion L12-01													
Size	A	B	C	D	E	F	G	H	M	s	Ø	ø	Weight
50x150	350	300	250	208.5	150	150	75	75	8	15	12	10	4.2 Kg
40x160	350	310	250	218.5	150	150	75	75	8	15	12	10	4.4 Kg

*Drill according to sectional view on page 210.
 Load details must be requested separately due to the selected support extrusion.

Order data

Support type	L16-01 (Ø16)	L12-01 (Ø12)
Support extrusion		
50x150	L16-71	L12-71
40x160	L16-72	L12-72

Further support extrusion and slide plates on request.



Order data **Order number**

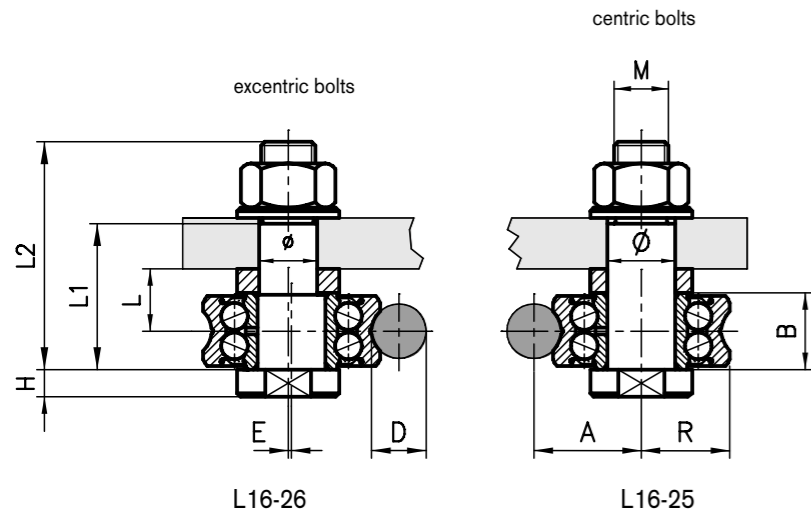
To extrusion 50x150mm Ø16
Slide plate cpl. L16-71
Parts supplied
 1 1 plate L16-35
 2 2 centric rollers L16-27
 3 2 excentric rollers L16-28
 4 4 roller cover L16-45
 with grease scraper and fixing kit.

To extrusion 40x160mm Ø16
Slide plate cpl. L16-72
Parts supplied
 1 1 plate L16-34
 2 2 centric rollers L16-21
 3 2 excentric rollers L16-22
 4 4 roller cover L16-45
 with grease scraper and fixing kit.

To extrusion 50x150mm Ø12
Slide plate cpl. L12-71
Parts supplied
 1 1 plate L12-35
 2 2 centric rollers L12-27
 3 2 excentric rollers L12-28
 4 4 roller cover L12-47
 with grease scraper and fixing kit.

To extrusion 40x160mm Ø12
Slide plate cpl. L12-72
Parts supplied
 1 1 plate L12-34
 2 2 centric rollers L12-21
 3 2 excentric rollers L12-22
 4 4 roller cover L12-47
 with grease scraper and fixing kit.

Rollers



Rollers for bar Ø16

L = 18.5 for shaft clamping extrusion	L16-25	L16-26
L = 21.5 2-part shaft clamping extrusion base 40 L12-01	L16-21	L16-22
L = 26.5 2-part shaft clamping extrusion base 50 L16-01	L16-27	L16-28

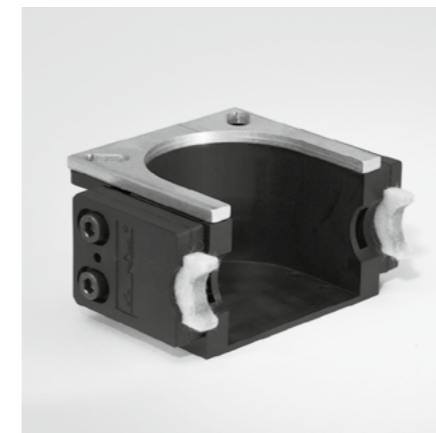
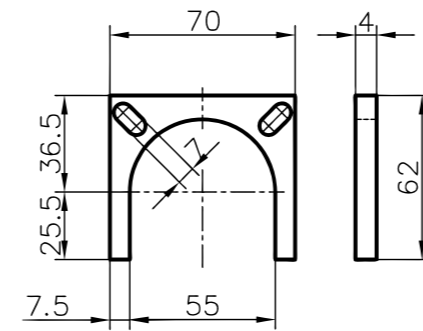
Measurement data											Load rating		
D	A	B	E	H	L1	L2	M	R	Ø	ø	Weight	dyn.	stat.
ø12	21.75	15.9	0.75	5	29	45	M10x1.5	17.5	12H7	10H7	0.15 kg	8400 N	5000 N
ø16	31.5	22.6	1.0	8	44	67	M16x1.5	26	20H7*	17H7	0.42 kg	16800 N	9500 N

* Counter sunk drilling

Order data		Order number	
Roller for bar Ø12 L12-35		centric	eccentric
L = 14		L12-25	L12-26
Roller for base 40		L12-21	L12-22
Roller for base 50		L12-27	L12-28
Roller for bar Ø16 L16-35			
L = 18.5 to shaft clamping extrusion		L16-25	L16-26
L = 21.5 to shaft clamping extrusion two-part base 40 L12-01		L16-21	L16-22
L = 26.5 to shaft clamping extrusion two-part base 50 L16-01		L16-27	L16-28



Spacer for the roller shield

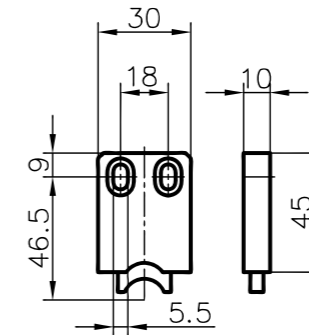


Application
As a spacer for the roller shield to adjust the different sizes of the rollers.

Specification
Aluminium, raw
1 pc for roller L=21.5
2 pc for roller L=26.5

Order data	Order number
Spacer	L16-40-04

Grease scraper



Scope of supply
1 grease scraper
2 cycl. screws M5 x 12

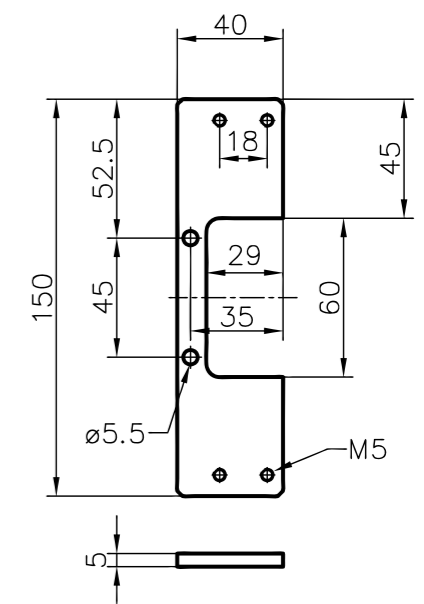


Application
The grease scraper is for two functions. On one hand, it cleans the steel bars and on the other it coat the steel bars with a grease film to protect it from rusting.

Specification
Shield: PA-GF
grease scraper: grease-impregnated felt

Order data	Order number
Grease scraper Ø 16	L16-46
Grease scraper Ø 12	L12-46

Grease scraper support

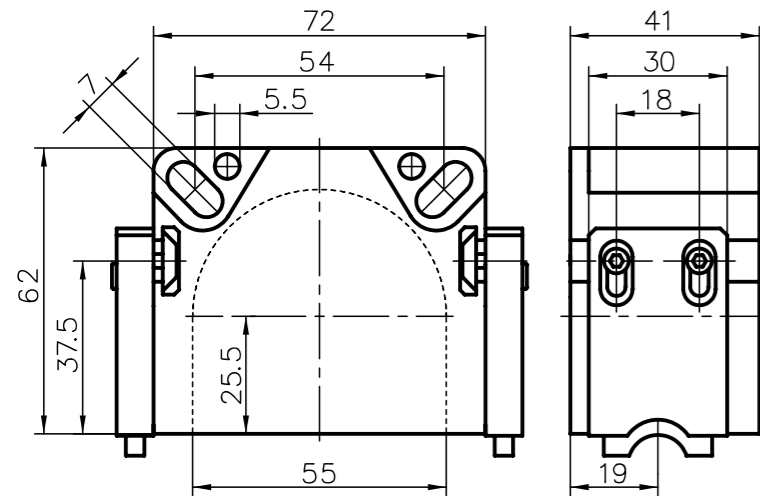


Application
The support fits on the slide plate base 50 (L12-70). Together with the grease scraper the slide for a small linear guide is complete.

Specification
Aluminium, anodised in natural colours

Order data	Order number
Support for grease scraper	L16-43

Roller cover cpl. Ø16mm / Ø12mm



Application

This cover offers protection against dust and other contamination. The lateral grooves are envisaged to affix the oil strippers.

Specification

PA-GF, black

Scope of supply

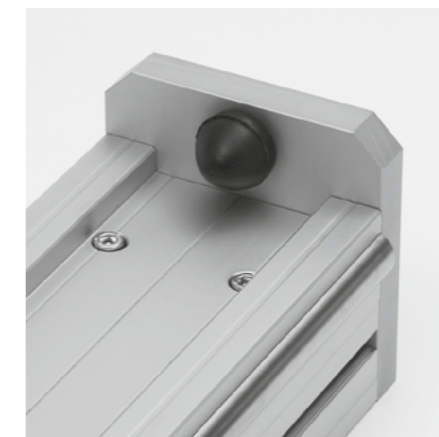
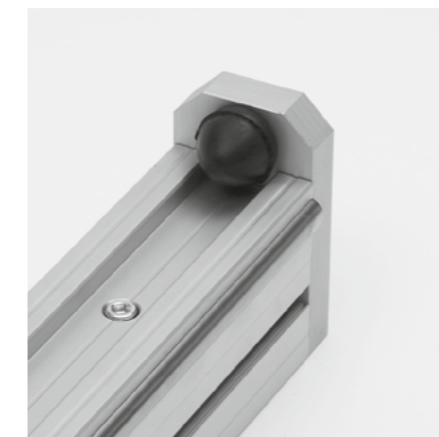
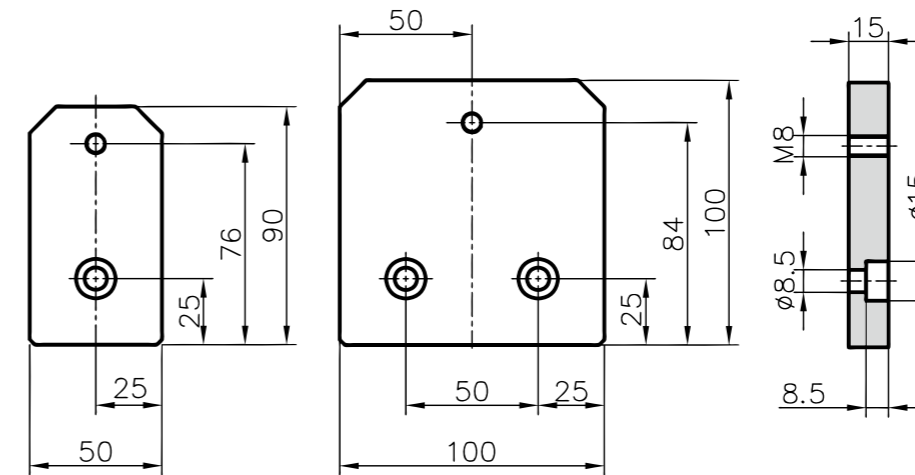
- 1 roller cover
- 2 grease scraper
- 4 cyl. screws
- 4 threaded plates

Weight: ca. 0.05 kg



Order data	Order number
Roller cover cpl. for Ø16 shaft	L16-45
Roller cover cpl. for Ø12 shaft	L16-47

End stop



Application

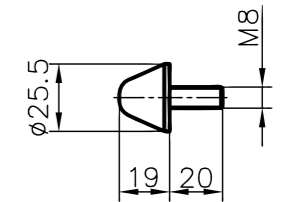
The end stopper in combination with the buffer is normally screwed on the end of the extrusions base 50, serving as a stop for the linear guides.

Specification

Aluminium, anodised in natural colours

Order data	Order number
End stop 50	L16-55
End stop 100	L16-53

Buffer



Application

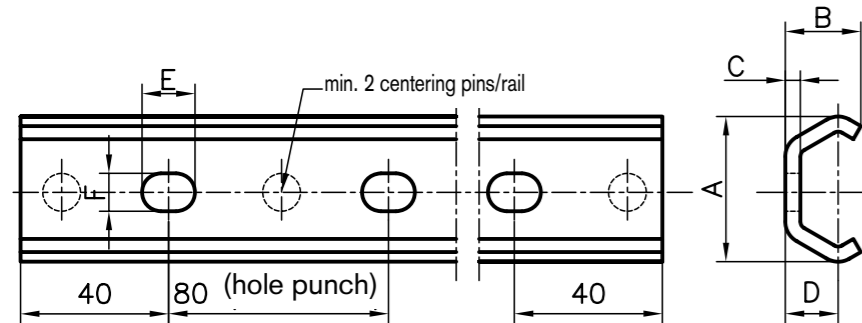
For use as an end stop for linear guides

Specification

rubber, highly deformable

Order data	Order number
Buffer	L16-50

C-guide rails



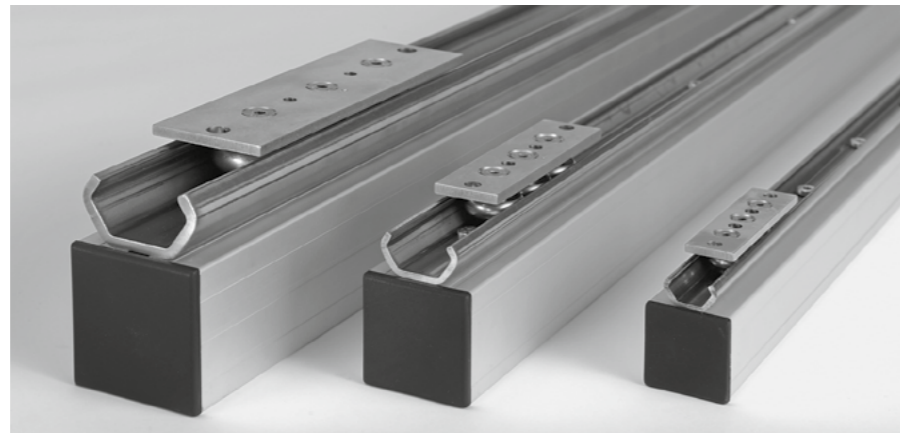
Measurement data

Size	A	B	C	D	E	F	kg/m
20	19.2	10	2	7	7	5	0.47
30	29.5	15	2.5	10	8.4	6.4	0.9
45	46.4	24	4	15.5	11	9	2.3

Application

The guide rail can be subjected to high loads thanks to its optimum shaping. It is screwed directly onto the structure extrusions. Centering pins align the rail parallel with the extrusion.

Combined with the suitable slides, it is possible to produce accurate and inexpensive linear guides. Three sizes are available.



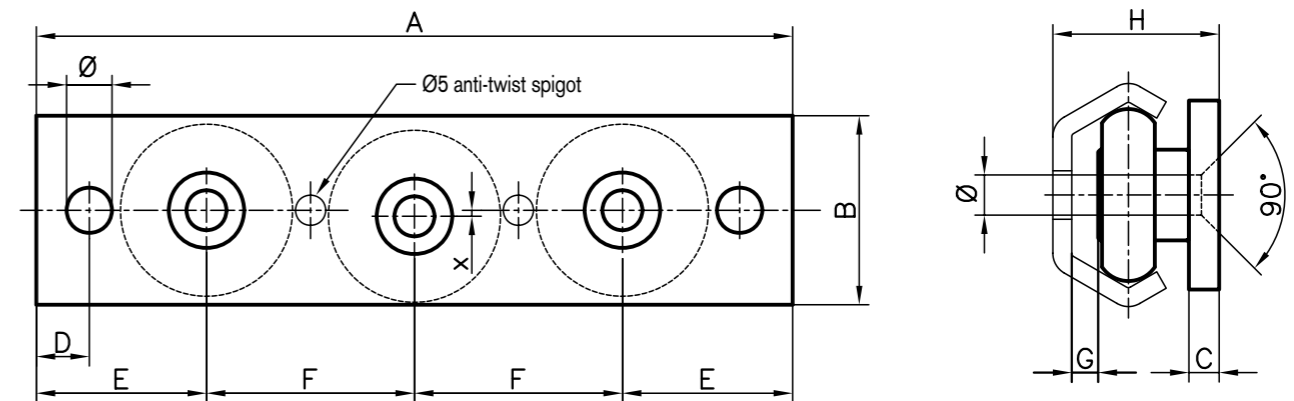
Specification

Stainless steel

Order data

Order data	Order number
Size 20	
Standard length 4000 mm	L20-01-4M
Cut to length	L20-01-02-02/...
Size 30	
Standard length 4000 mm	L30-01-4M
Cut to length	L30-01-02-02/...
Size 45	
Standard length 6080 mm	L45-01-6.08M
Cut to length	L45-01-02-02/...

Slides



Measurement data

Size	A	B	C	D	E	F	G	H	Ø	ø	x
20	75	18	3	6	18.5	19	2.5	16	5.2	4.5	0.5
30	96	25	4	6	23.5	24.5	3.5	22	6.2	5.5	0.5
45	155	45	4	8	34	43.5	5	31	8.2	6.6	0.6

Application

Mainly for horizontal and vertical guides, in particular for drawer runners subjected to heavy loads, lifting and sliding doors as well as height adjustable work benches, or any application where larger loads need to be moved back and forth.

Specification

Stainless steel

Other slide dimensions available on request.

Order data

Order data	Order number
Slide including rollers	
Size 20	L20-20
Size 30	L30-20
Size 45	L45-20

Load ratings

Size	F _{red}	F _{ex}
20	300N	170N
30	800N	400N
45	1600N	860N

Technical data

Temperature range:
-20°C to max. +100° C max.
Displacement speed: 1.5 m/s

The flat slide means the design is compact. It is screwed directly onto the structure extrusions. Two anti-twist spigots position the slide parallel to the extrusion.

Both outer rollers support the load. Markings show the contact side to the guide rail. The middle roller can be set to the desired preload using the excentric screw.

Roller system

Application

The roller tracks, together with special clamps, are simply mounted to the Kanya 50, 40 and 30 base aluminium extrusions.

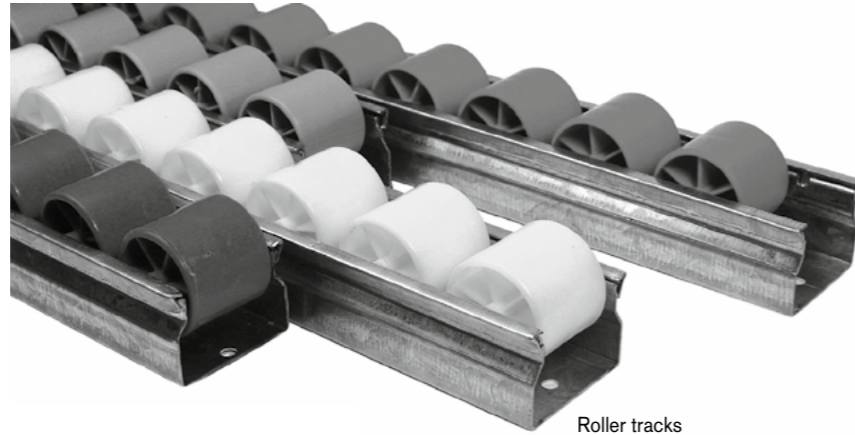
The roller track system can be used for all types of conveyance and removal of material and goods. Examples of typical applications

- Roller transport via gravity for all types of boxes
- Roller transport connections between workstations
- Roller conveyance to work benches
- Material roller transport within a machine production plant
- Accurate positioning of boxes

The range includes rollers with and without guide flange. All roller tracks are also available as ESD version.

Technical description

Roller tracks are made from bent steel sheets, galvanised, 0.8mm, width 36mm, overall height 36mm
 Axes made from zinc-coated steel, diameter 3mm
 Bore holes with diameter 4.1mm at the base of the roller track
 Vertical load up to 40 kg per roller (lying on flat surface)



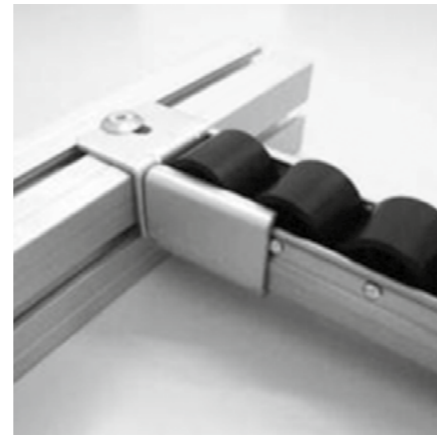
Roller tracks

Product advantages

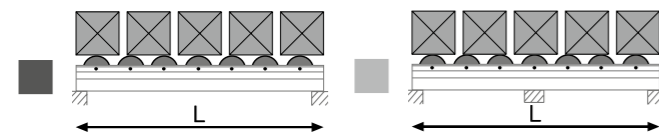
The special shape of the steel sheet allows the roller track to close when under load. This significantly increases the resistance against twisting or bending.

Loads

The roller tracks (one pair) can be subjected to loads as follows, according to the length – see table below.



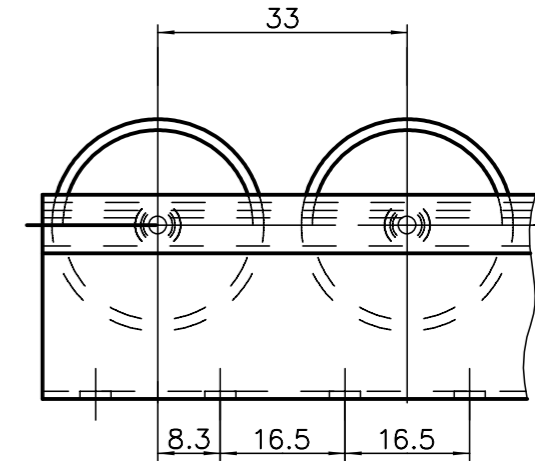
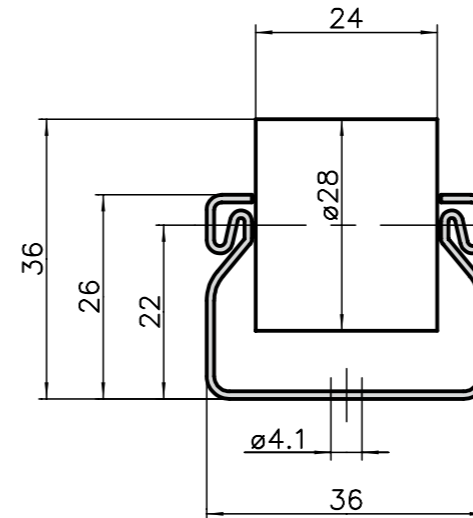
Clamping for easy fixing of roller tracks to extrusions and tubes.



Measurement data

L (mm)	1.500	1.400	1.300	1.200	1.100	1.000	900	800	700	600	500				
Σ Kgs.	75	80	88	95	105	117	130	153	177	212	250				
L (mm)	3.000	2.800	2.600	2.400	2.200	2.000	1.800	1.600	1.500	1.400	1.300	1.200	1.100	1.000	
Σ Kgs.	132	148	164	185	205	230	259	304	356	400	450	500	550	600	

Roller tracks, flat



Application

These roller tracks are ideal for use with storage and transportation racks. For lightweight transport of items, this self-supporting rail can be used for up to 3m. For packaging tables, assembly workstations and devices in process operations, these simplify the transport of goods and logistics.

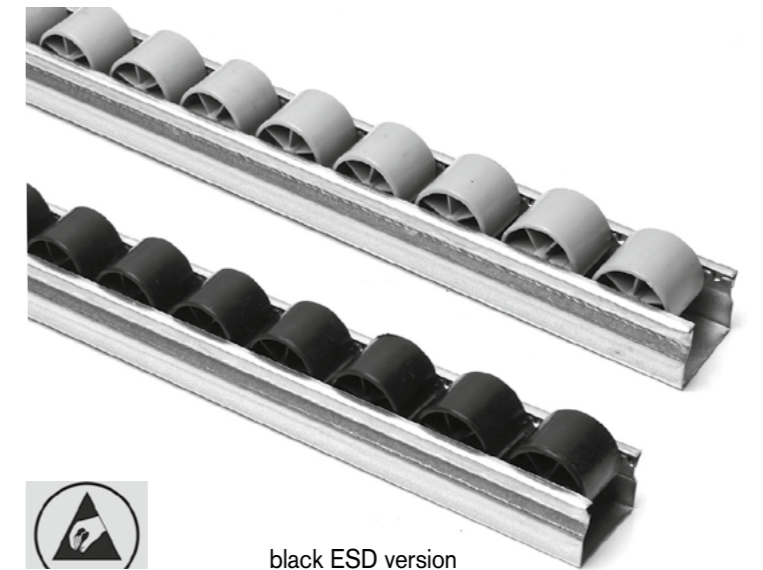
Specification

Steel rail
 Plastic rollers with steel axes

Technical description

Distance between roller axes is 33mm, weight: 0.86 kg/m; rollers made of polypropylene, diameter 28mm, width 24mm, ESD version with electrostatic discharge (resistance coefficient during throughput of electricity of 28.8Ω/cm²)

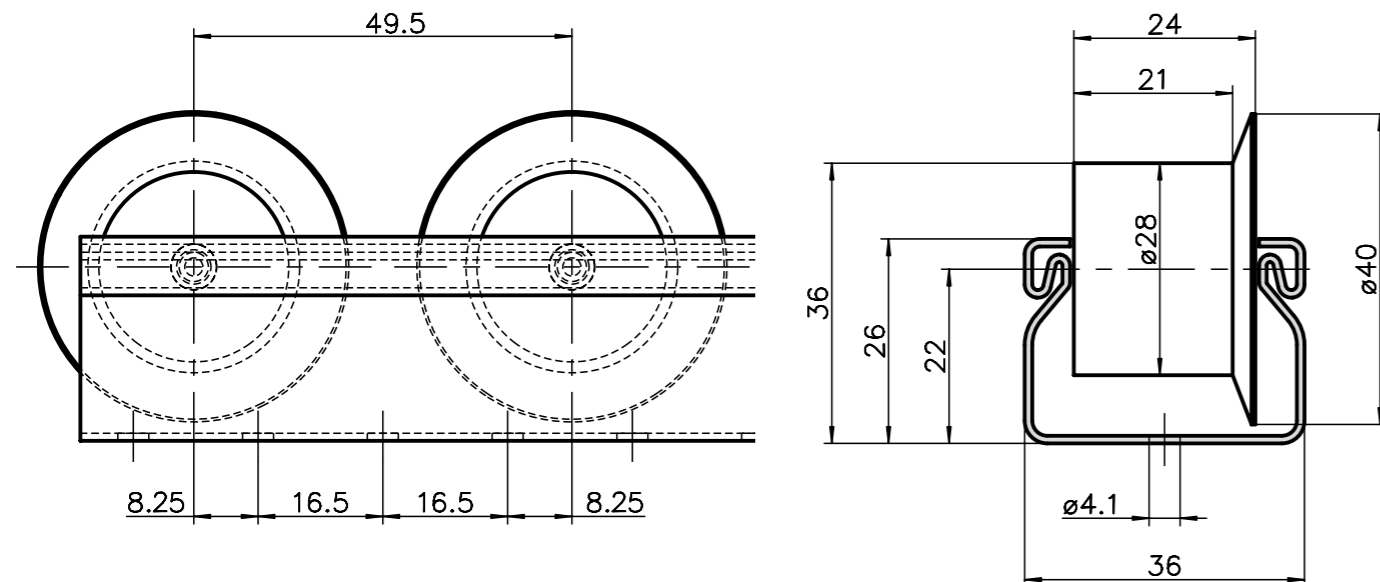
Rollers available in other colours on request when ordering more than 300 m.



black ESD version

Order data	Order number
Roller track	
Standard length	L80-1-3M
Cut to length	L80-1-02-02/...
ESD roller track	
Standard length	L80-1-ESD-3M
Cut to length	L80-1-ESD-02-02/...

Roller tracks with guide flange



Application

These roller tracks are ideal for use with storage and transportation racks. Light-weight transport of items is kept within the track by the side guide.

Specification

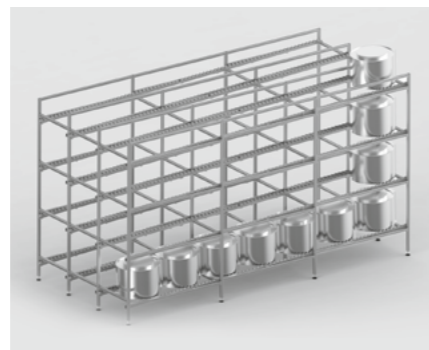
Steel rail
Plastic rollers with steel axes



Technical description

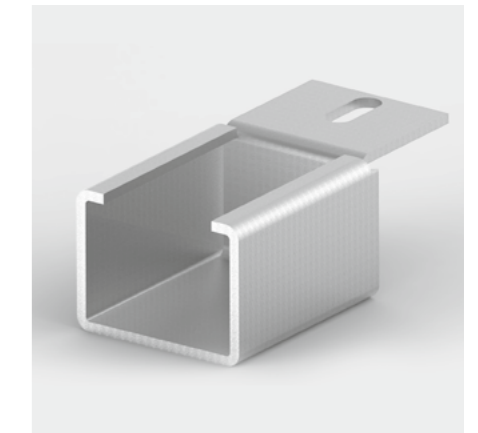
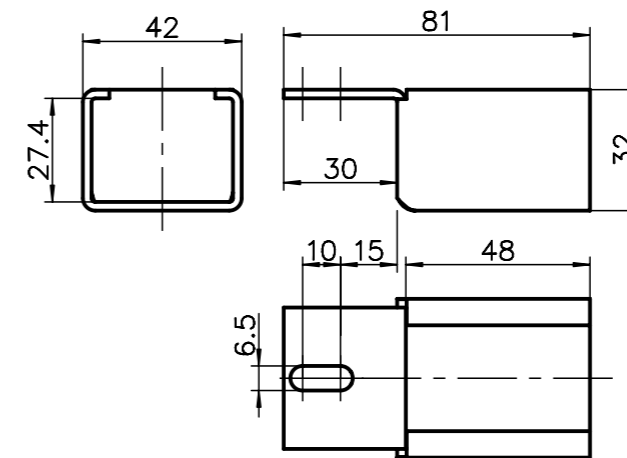
Distance between roller axes is 49.5 mm, weight: 0.9 kg/m; rollers made of polypropylene, diameter 28mm, width 25mm. ESD version with electrostatic discharge (resistance coefficient during throughput of electricity of 28.8Ω/cm²).

Rollers available in other colours on request when ordering more than 300 m.



Order data	Order number
Roller track with guide flange	
Standard length	L80-2-3M
Cut to length	L80-2-02-02/...
Roller track with ESD guide flange	
Standard length	L80-2-ESD-3M
Cut to length	L80-2-ESD-02-02/...

Roller track adapter



Application

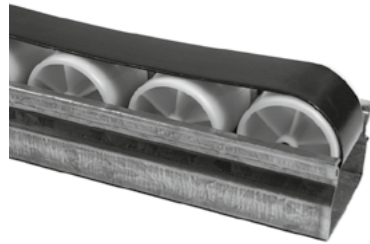
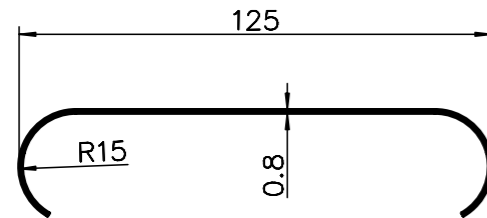
This roller track adapter can be screwed onto the 30/40/45/50 series base extrusions. The roller tracks are pushed in and attached to an extrusion structure.

Replacing or moving them is simple.



Order data	Order number
Roller track adapter	L80-90

Roller stopper

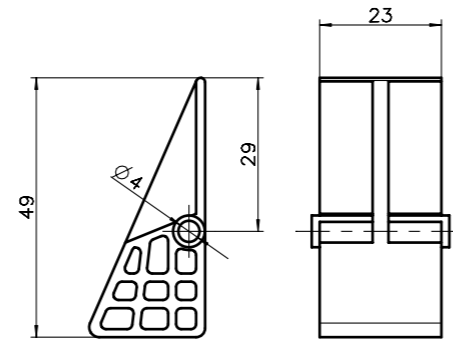


Application

This roller stopper can be used to finish off the roller tracks to make it easier to remove containers, transportation boxes or packages. The goods being transported slides onto the roller stop and comes to a standstill. The items being transported can now be removed without having to lift them.

Order data	Order number
Roller stopper	L80-30

Anti-return



Application

This element prevents the return of the item being transported. Installed in the right place, this easy-to-install element offers a great solution to the flow of material.

This product can also be used as a simple stop at the end of a roller track to prevent boxes or containers from falling off.

Order data	Order number
Anti-return	L80-31

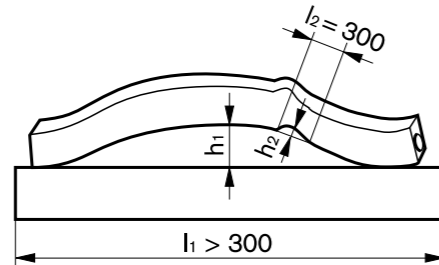


Tube clamp system
RVS®

Extrusion tolerances – extract from EN 12020-02

1. Straightness tolerances

Cavity extrusions shall not exceed the values stated in the table for straightness tolerances h_1 . The deviation h_2 shall not exceed a maximum of 0.3 mm over any length of $l_2 = 300$ mm.



3. Angular Tolerance w

If side lengths are unequal, the angular tolerance relates to the angle of the shorter side.

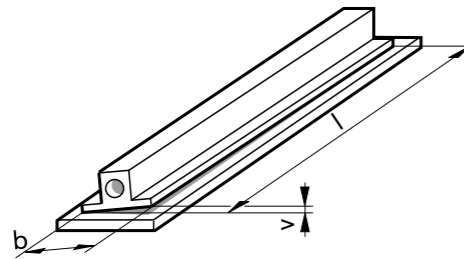


Width b in mm		Inclination tolerance w in mm
over	up to	
-	30	0.3
30	50	0.4
50	80	0.5
80	100	0.6
100	120	0.7

Length l in m	bis 1	bis 2	bis 3
Tolerance h_i in mm	0.7	1.3	1.8

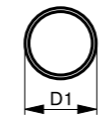
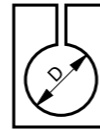
2. Distortion Tolerance v

The distortion tolerance v for cavity extrusions subject to length is shown in the table.



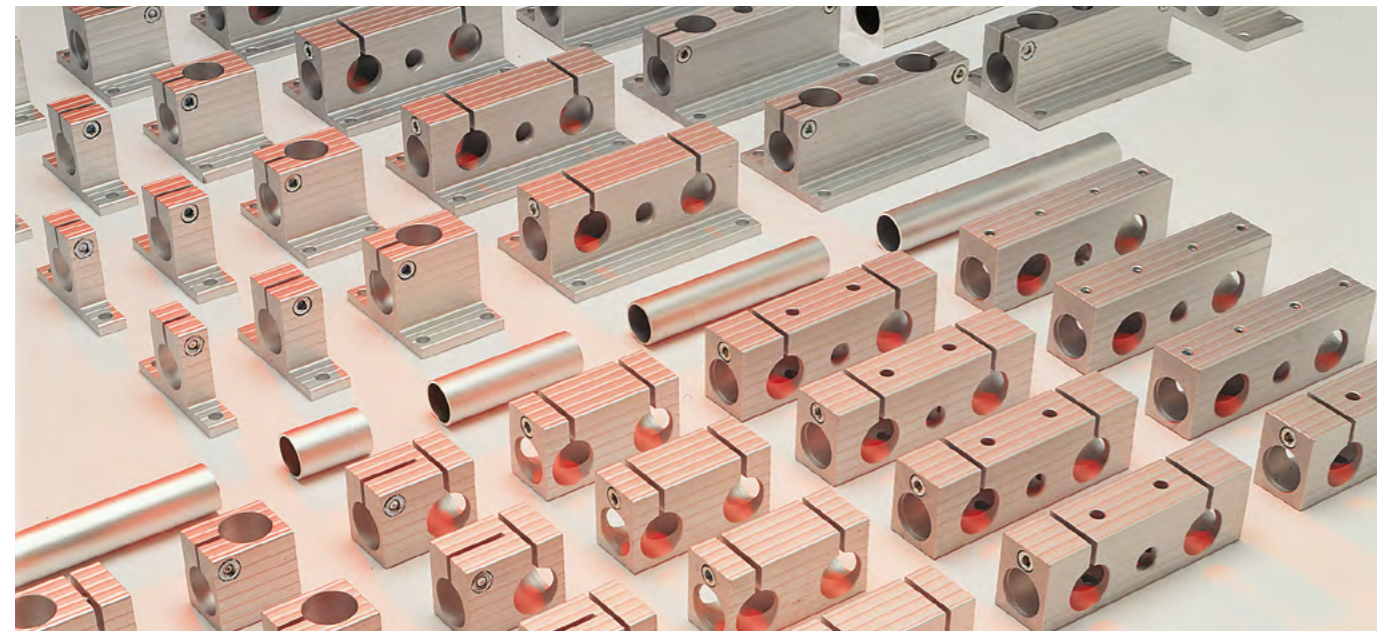
4. Diameter D/D1 Tolerances

The tolerances shown in the Table below relate to the Diameter D/D1 in each case, as shown in the technical drawings.

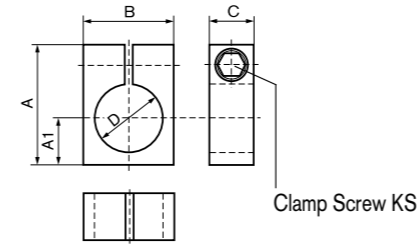


Diameter D/D1 in mm	D Tolerance in mm		
	D	D1	D1
12	0 / +0.05	0 / -0.1	
15	0 / +0.05	0 / -0.1	
20	0 / +0.1	0 / -0.15	
30	0 / +0.1	0 / -0.2	
40	0 / +0.1	0 / -0.2	
50	0 / +0.1	0 / -0.2	

Width b in mm		Flatness Tolerance v in mm for lengths in mm		
Measurement Range		-	over 1000	over 2000
over	up to	bis 1000	up to 2000	up to 3000
-	25	1.0	1.5	1.5
25	50	1.0	1.2	1.5
50	75	1.0	1.2	1.2
75	100	1.0	1.2	1.5
100	125	1.0	1.5	1.8



Clamp Ring

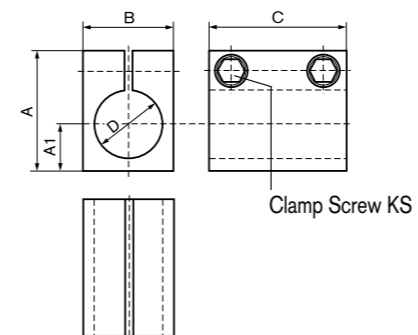


Use

Normally used as a stop, or as a holder for limit switches or similar.

Nominal Diameter	Dimensions						Weight in kg	Order number
	A	A1	B	C	D	KS		
12	24	8	16	32	12	M4	-	on request
20	36	13	30	20	20	M6	0.045	R02-15
30	52	20	40	20	30	M8	0.080	R03-15
40	62	25	50	20	40	M8	0.105	R04-15
50	72	30	60	20	50	M8	0.135	R05-15

Joining Clamp



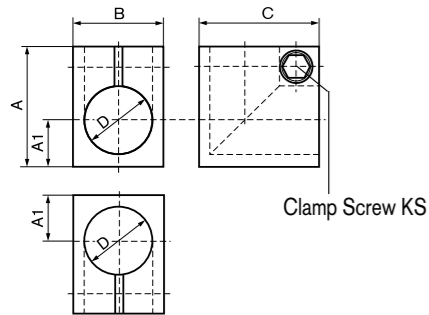
Use

To extend tubes and as a stop for large forces.

Nominal Diameter	Dimensions						Weight in kg	Order number
	A	A1	B	C	D	KS		
12	24	8	16	32	12	M4	-	on request
20	36	13	30	40	20	M6	0.085	R02-01
30	52	20	40	60	30	M8	0.225	R03-01
40	62	25	50	80	40	M8	0.395	R04-01
50	72	30	60	100	50	M8	0.625	R05-01

For diameter D tolerances, see page 230

Angle Clamp



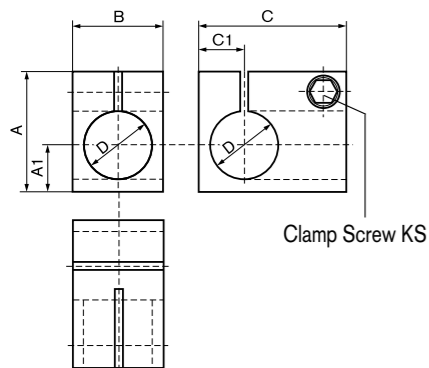
Use

Attractive corner joint for normal loads.

For reasons of stability, it is recommended that tubes in angle clamp joints are cut at 45°.

Nominal Diameter	Dimensions		B	C	D	KS	Weight in kg	Order number
	A	A1						
12	24	8	16	32	12	M4	-	on request
20	36	13	30	36	20	M6	0.060	R02-02
30	52	20	40	52	30	M8	0.150	R03-02
40	62	25	50	62	40	M8	0.225	R04-02
50	72	30	60	72	50	M8	0.320	R05-02

T Clamp



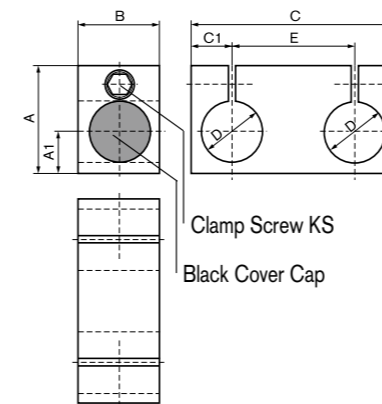
Use

Cross joints where only one tube needs to be movable.

Nominal Diameter	Dimensions		B	C	D	KS	Weight in kg	Order number
	A	A1						
12	24	8	16	32	12	M4	-	on request
20	36	13	30	45	13	M6	0.080	R02-03
30	52	20	40	65	20	M8	0.215	R03-03
40	62	25	50	85	25	M8	0.365	R04-03
50	72	30	60	105	30	M8	0.560	R05-03

For diameter D tolerances, see page [230](#)

Parallel Clamp

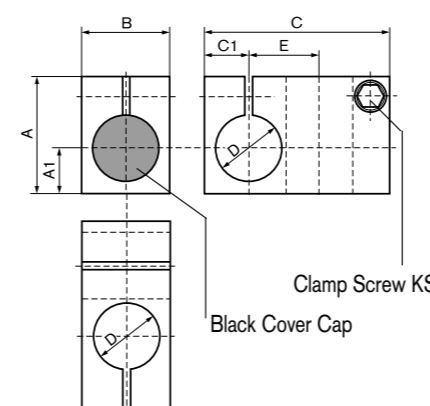


Use

To strengthen structures (by doubling) or to extend tubes on different levels.

Nominal Diameter	Dimensions		B	C	C1	D	E	KS	Weight in kg	Order Number
	A	A1								
12	24	8	16	42	9	12	24	M4	-	on request
20	36	13	30	66	13	20	40	M6	0.110	R02-04
30	52	20	40	100	20	30	60	M8	0.310	R03-04
40	62	25	50	130	25	40	80	M8	0.535	R04-04
50	72	30	60	160	30	50	100	M8	0.815	R05-04

Cross Clamp



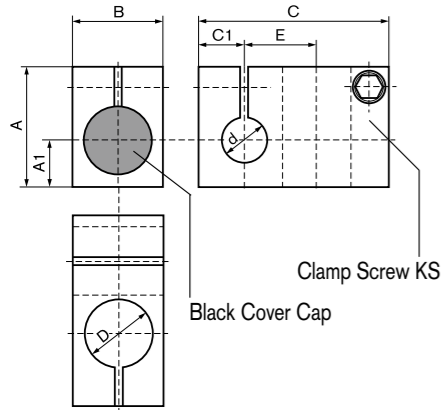
Use

This is the most frequently used clamp. It can hold two freely movable tubes, offset at 90°.

Nominal Diameter	Dimensions		B	C	C1	D	E	KS	Weight in kg	Order Number
	A	A1								
12	24	8	16	38	9	12	13	M4	0.022	R01-05
20	36	13	30	58	13	20	22	M6	0.095	R02-05
30	52	20	40	84	20	30	32	M8	0.235	R03-05
40	62	25	50	104	25	40	42	M8	0.370	R04-05
50	72	30	60	124	30	50	52	M8	0.535	R05-05

For diameter D tolerances, see page [230](#)

Cross Clamp with different Ø

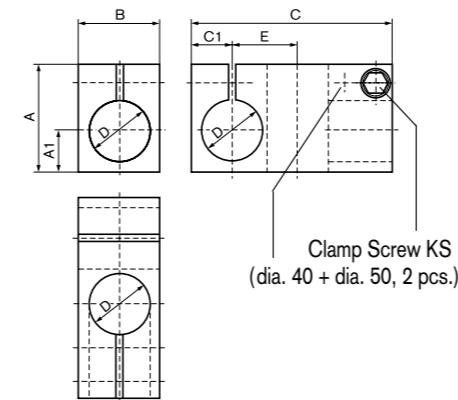


Use
This is the most frequently used clamp. It can hold two freely movable tubes, offset at 90°.

Nominal Diameter	Dimensions		B	C	C1	D	d	E	KS	Weight in kg	Order Number
	A	A1									
20 / 12	36	13	30	58	13	20	12	22	M6	0.102	R02-07.12
30 / 12	52	20	40	84	20	30	12	32	M8	-	on request
30 / 20	52	20	40	84	20	30	20	32	M8	0.255	R03-07.20
40 / 20	62	25	50	104	25	40	20	42	M8	0.420	R04-07.20
40 / 30	62	25	50	104	25	40	30	42	M8	0.400	R04-07.30
50 / 40	72	30	60	124	30	50	40	52	M8	0.585	R05-07.40

For diameter D tolerances, see page [230](#)

Cross T-Clamp

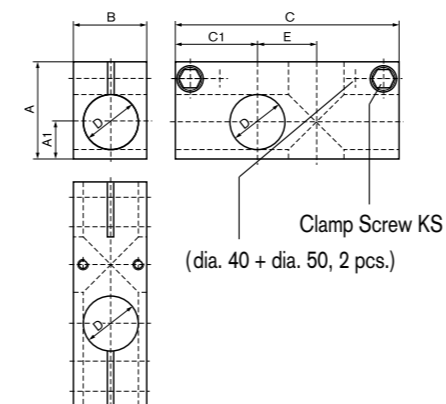


Use
Tubes can exit from this clamp in three directions, but only the same two tubes as in the Cross Clamp (page [233](#)) pass all the way through the joint.

Nominal Diameter	Dimensions		B	C	C1	D	E	KS	Weight in kg	Order Number
	A	A1								
12	24	8	16	40	9	12	13	M4	-	on request
20	36	13	30	65	13	20	22	M6	0.105	R02-10 *
30	52	20	40	98	20	30	32	M8	0.285	R03-10 *
40	62	25	50	125	25	40	42	M8	0.470	R04-10 *
50	72	30	60	155	30	50	52	M8	0.730	R05-10 *

* on request

Universal Clamp



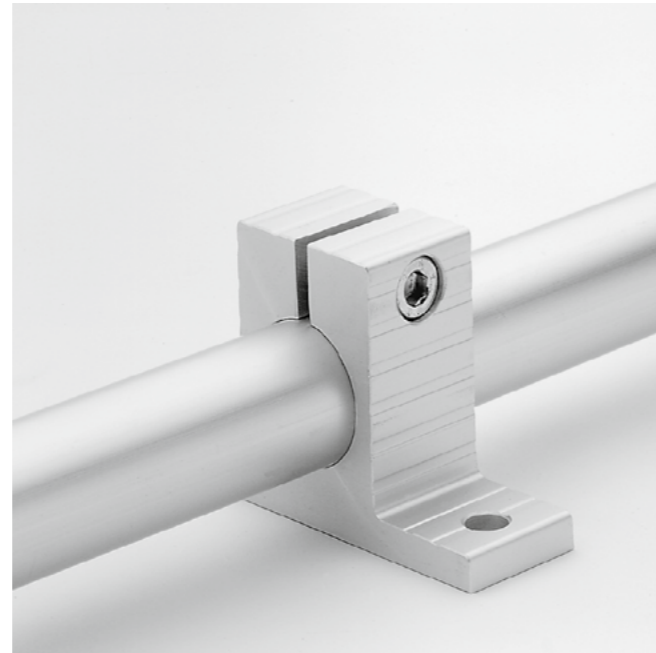
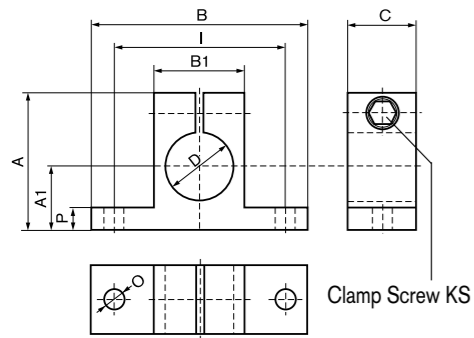
Use
As its name implies, the four tube exits on this joint make it suitable for universal use.

Nominal Diameter	Dimensions		B	C	C1	D	E	KS	Weight in kg	Order Number
	A	A1								
12	24	8	16	53	20	12	13	M4	-	on request
20	36	13	30	82	30	20	22	M6	0.145	R02-11 *
30	52	20	40	122	45	30	32	M8	0.375	R03-11 *
40	62	25	50	162	60	40	42	M8	0.650	R04-11 *
50	72	30	60	202	75	50	52	M8	1.025	R05-11 *

* on request

For diameter D tolerances, see page [230](#)

Horizontal Clamp



Use

This joint is normally used as a pedestal bearing. However, it can also be used as a holder for screwed-on parts.

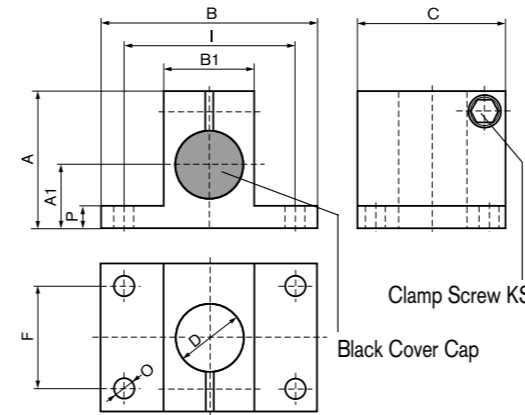
Nominal Diameter	Dimensions										Weight in kg	Order Number
	A	A1	B	B1	C	D	I	O	P	KS		
12	28	12	35	16	15	12	25	6	4	M4	0.015	R01-60
15	45	22	65	30	20	15	50	7	8	M6	0.088	R15-60
20	45	22	65	30	20	20	50	7	8	M6	0.080	R02-60
30	60	28	95	40	30	30	75	9	8	M8	0.170	R03-60
40	72	35	95	50	40	40	75	9	10	M8	0.295	R04-60
50	82	40	120	60	50	50	100	9	10	M8	0.470	R05-60

Tube Cleat

Nominal Diameter	Dimensions										Weight in kg	Order Number
	A	A1	B	B1	C	D	I	O	P	KS		
30	60	28	95	40	20	30	75	9	8	M8	0.115	R03-65
40	72	35	95	50	20	40	75	9	10	M8	0.150	R04-65
50	82	40	120	60	20	50	100	9	10	M8	0.195	R05-65

For diameter D tolerances, see page [230](#)

Vertical Clamp

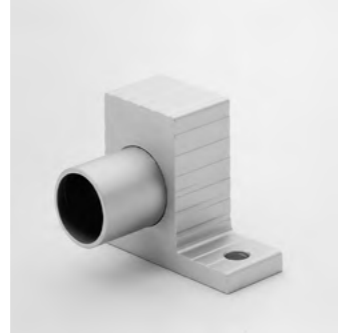
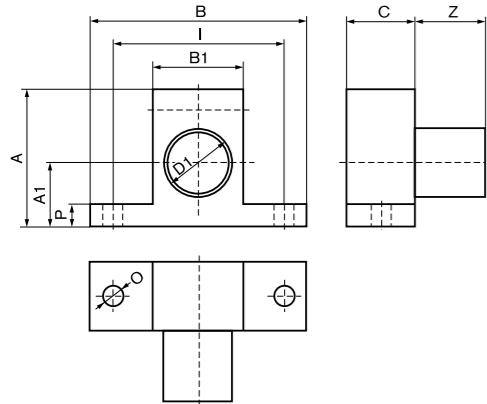


This is the elementary component for a wide variety of constructions, whether as a flange, a build-on joint or a holder.

Nominal Diameter	Dimensions										Weight in kg	Order Number	
	A	A1	B	B1	C	D	F	I	O	P			
12	28	12	35	16	32	12	-	25	6	4	M4	0.029	R01-50
20	45	22	65	30	45	20	25	50	7	8	M6	0.135	R02-50
30	60	28	95	40	65	30	50	75	9	8	M8	0.310	R03-50
40	72	35	95	50	75	40	50	75	9	10	M8	0.440	R04-50
50	82	40	120	60	85	50	50	100	9	10	M8	0.610	R05-50

For diameter D tolerances, see page [230](#)

End Swivel Clamp



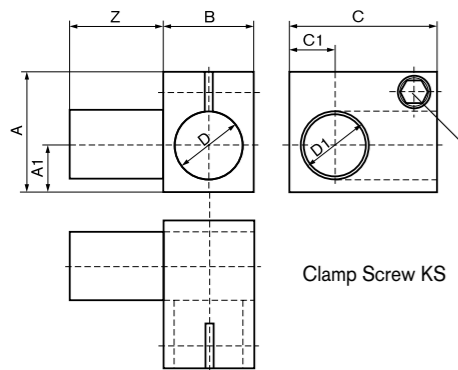
Use

The tube is firmly pressed into this clamp, making it particularly suitable for oblique connections. Can also be used for permanent swivel functions.

Nominal Diameter	Dimensions										Weight in kg	Order Number
	A	A1	B	B1	C	D1	I	O	P	Z		
12	28	12	35	16	15	12	25	6	4	17	-	on request
20	45	22	65	30	20	20	50	7	8	21	0.080	R02-70 *
30	60	28	95	40	30	30	75	9	8	31	0.190	R03-70 *
40	72	35	95	50	40	40	75	9	10	41	0.340	R04-70 *
50	82	40	120	60	50	50	100	9	10	51	0.585	R05-70 *

* on request

T-Swivel Clamp



Use

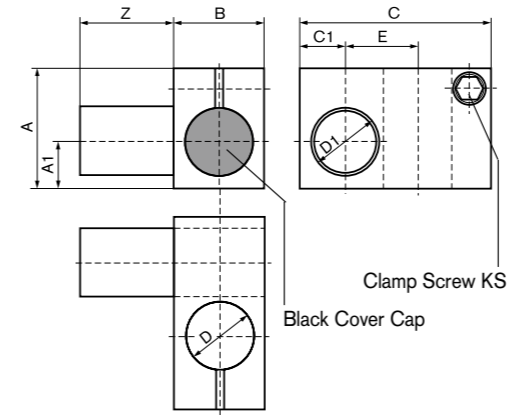
Chiefly used where tubes coming out of the joint must be swivelled in connection with all the other clamp joints.

Nominal Diameter	Dimensions										Weight in kg	Order Number
	A	A1	B	B1	C	D1	I	O	P	Z		
12	24	8	16	30	9	12	12	17	M4	-	-	on request
20	36	13	30	45	13	20	20	31	M6	0.100		R02-13 *
30	52	20	40	65	20	30	30	41	M8	0.255		R03-13 *
40	62	25	50	85	25	40	40	51	M8	0.435		R04-13 *
50	72	30	60	105	30	50	50	61	M8	0.700		R05-13 *

* on request

For diameter D tolerances, see page 230

Cross Swivel Clamp



Use

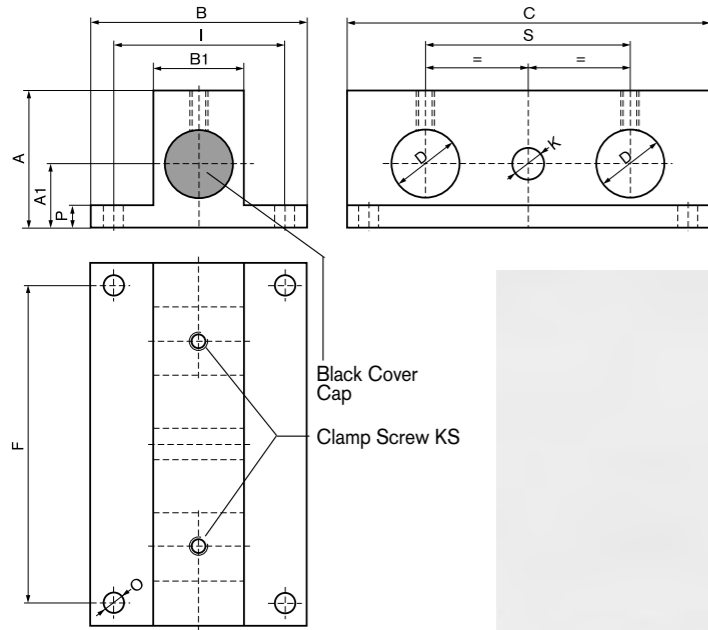
To brace structures with oblique tube connections; also used like the T-swivel clamp.

Nominal Diameter	Dimensions										Weight in kg	Order Number
	A	A1	B	C	C1	D	D1	E	Z	KS		
12	24	8	16	38	9	12	12	13	17	M4	-	on request
20	36	13	30	58	13	20	20	22	31	M6	0.115	R02-14 *
30	52	20	40	84	20	30	30	32	41	M8	0.275	R03-14 *
40	62	25	50	104	25	40	40	42	51	M8	0.440	R04-14 *
50	72	30	60	124	30	50	50	52	61	M8	0.670	R05-14 *

* on request

For diameter D / D1 tolerances, see page 230

Horizontal Support



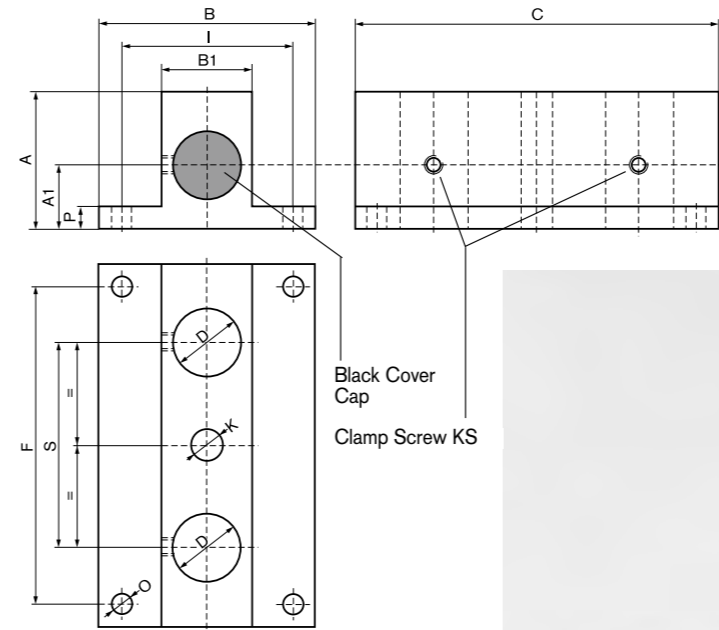
Use

The Horizontal Support is usually needed to close off adjustable units. However, it can also be used independently as a static or dynamic clamp.

Nominal Diameter	Dimensions												Weight		Order Number
	A	A1	B	B1	C	D	F	I	K	O	P	S	KS	in kg	
20	45	22	65	30	110	20	95	50	10	7	8	60	M6	0.360	R02-90
30	60	28	95	40	160	30	140	75	14	9	8	90	M8	0.845	R03-90
40	72	35	95	50	200	40	180	75	14	9	10	120	M8	1.390	R04-90

Other combinations on request; for diameter D tolerances, see page [230](#)

Vertical Clamp



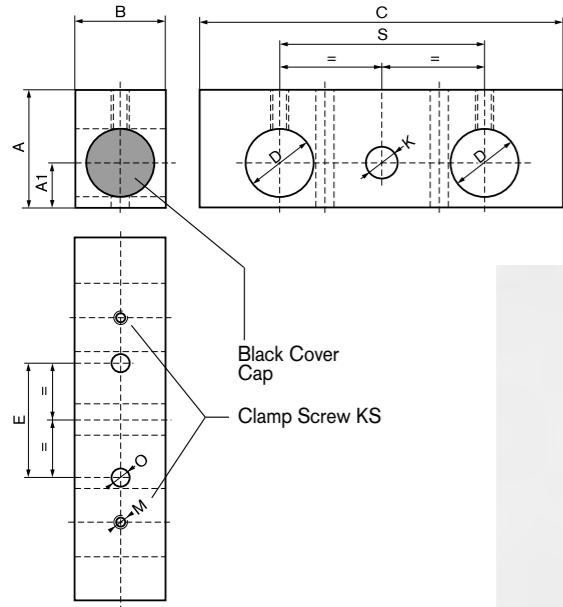
Use

The same uses as the Horizontal Support. It can also be used as a carrier for handling equipment which needs to be rearranged simply and quickly.

Nominal Diameter	Dimensions												Weight		Order Number
	A	A1	B	B1	C	D	F	I	K	O	P	S	KS	in kg	
20	45	22	65	30	110	20	95	50	10	7	8	60	M6	0.330	R02-91
30	60	28	95	40	160	30	140	75	14	9	8	90	M6	0.760	R03-91
40	72	35	95	50	200	40	180	75	14	9	10	120	M6	1.225	R04-91

Other combinations on request; for diameter D tolerances, see page [230](#)

Universal Support



Application

Same use as the horizontal and vertical support but with the advantage that this component can be used as horizontal and vertical adjustable unit.

Nominal Diameter	Dimensions										Weight in kg	Order Number
	A	A1	B	C	D	E	O	K	S	KS		
20	36	13	30	110	20	25	6.5	10	60	M6	0.190	R02-30
30	52	20	40	160	30	50	8.5	14	90	M8	0.520	R03-30
40	62	25	50	200	40	50	8.5	14	120	M8	0.870	R04-30

Other combinations on request; for diameter D tolerances, see page 230

Universal Slides

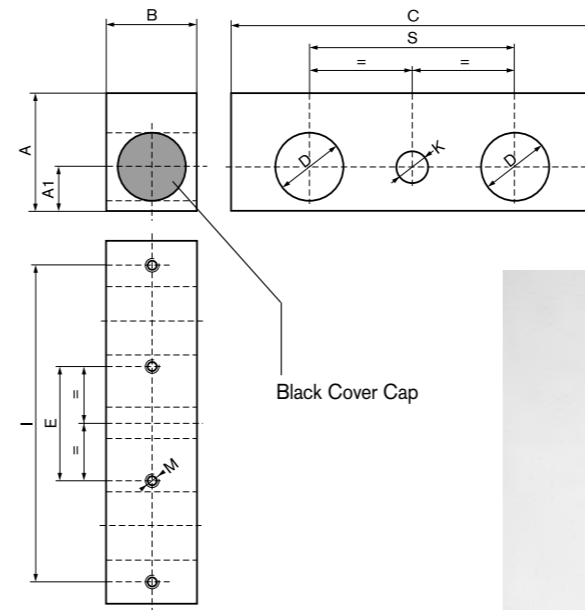


Illustration with clamp and sliding bush

Illustration without clamp

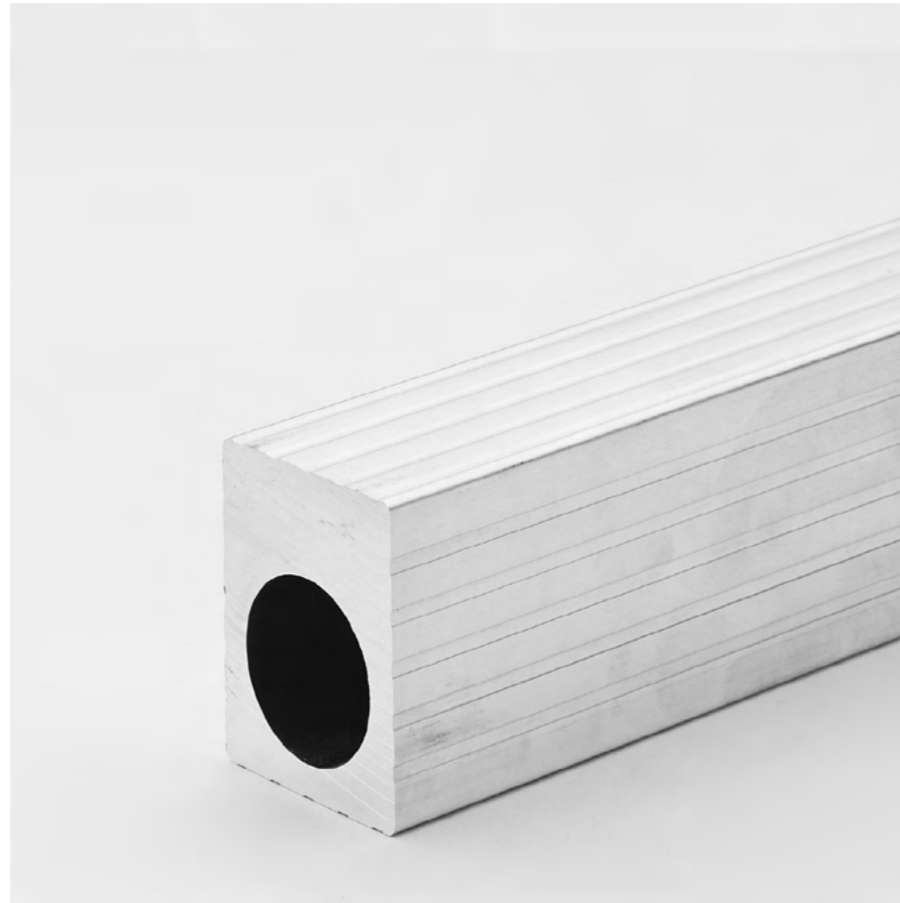
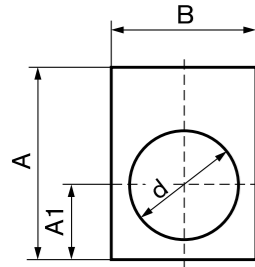
Application

Simple adjustable units can be built in modular form, in combination with various supports. The four threads are used to fix other structures in place.

Nominal Diameter	Dimensions										Weight in kg	Order Number single-sided clamp	Order Number double-sided clamp	Order Number without clamp
	A	A1	B	C	D	E	I	M	K	S				
20	36	13	30	110	20	25	95	M6	10	60	0.200	R02-31-GL	R02-32-GL	R02-41-GL
30	52	20	40	160	30	50	140	M8	14	90	0.535	R03-31-GL	R03-32-GL	R03-41-GL
40	62	25	50	200	40	50	180	M8	14	120	0.870	R04-31-GL	R04-32-GL	R04-41-GL

The slides are supplied with sliding bushes.

Rectangular Extrusions

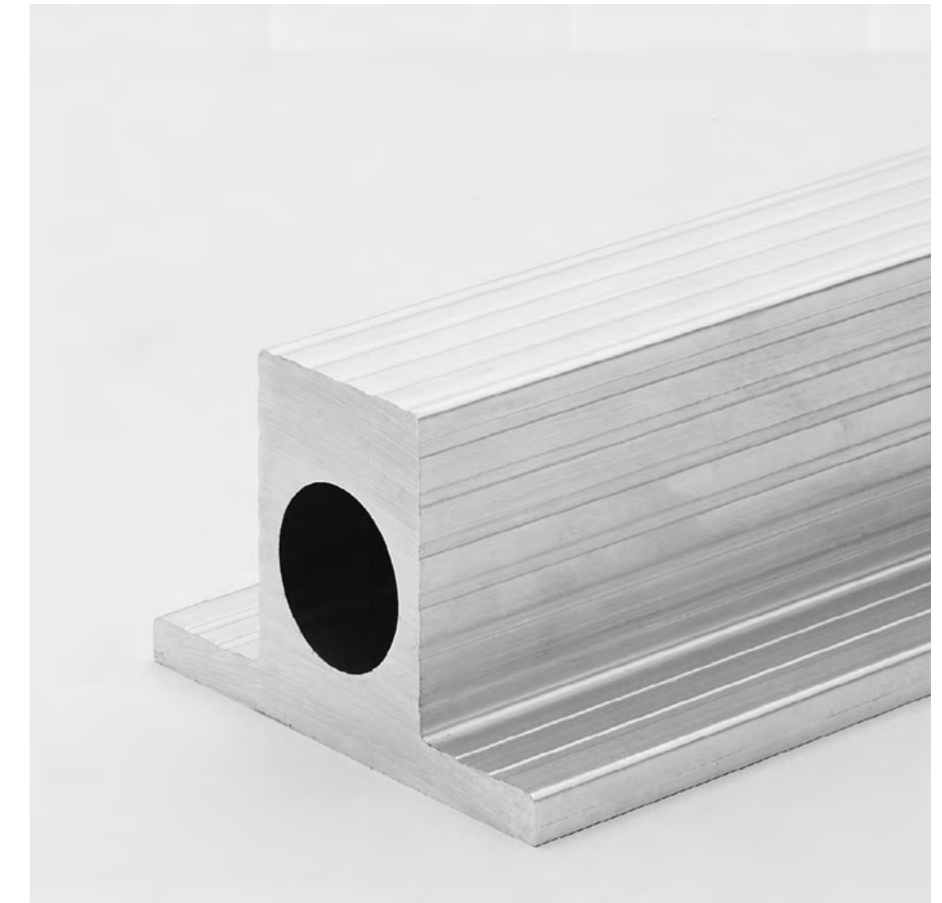
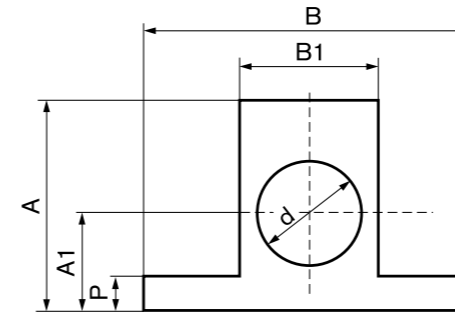


Can be supplied in warehouse length or cut to size.

Surface: untreated

Nominal Diameter	Dimensions				Weight kg/m	Order Number L = 3000 mm	Order Number cut to ... mm
	A	A1	B	d			
12	24	8	16	11,3	0.76	R01-95-3M	R01-95-02/ ... mm
20	36	13	30	19,2	2.10	R02-95-3M	R02-95-02/ ... mm
30	52	20	40	29,2	3.70	R03-95-3M	R03-95-02/ ... mm
40	62	25	50	39,2	4.96	R04-95-3M	R04-95-02/ ... mm
50	72	30	60	49,3	6.34	R05-95-3M	R05-95-02/ ... mm

Flange Extrusions

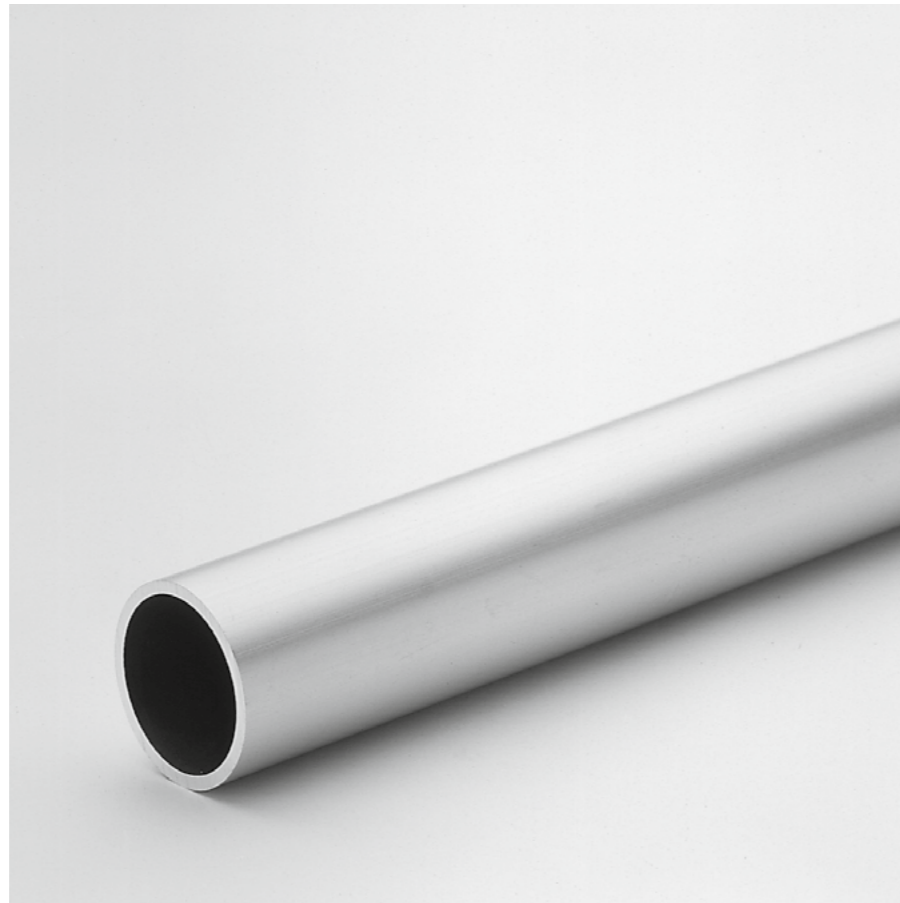
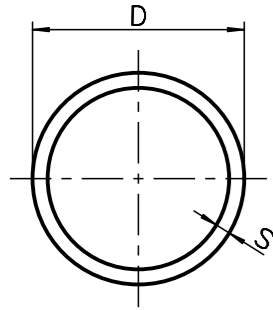


Can be supplied in warehouse length or cut to size.

Surface: untreated

Nominal Diameter	Dimensions						Weight kg/m	Order Number L = 3000 mm	Order Number cut to ... mm
	A	A1	B	B1	d	P			
12	28	12	35	16	11,0	4	1.11	R01-96-3M	R01-96-02/ ... mm
0	45	-	65	30	-	8	4.35	R15-94-3M	R15-94-02/ ... mm
20	45	22	65	30	19.0	8	3.63	R02-96-3M	R02-96-02/ ... mm
30	60	28	95	40	27.0	8	5.88	R03-96-3M	R03-96-02/ ... mm
40	72	35	95	50	39.0	10	7.63	R04-96-3M	R04-96-02/ ... mm
50	82	40	120	60	49.0	10	9.71	R05-96-3M	R05-96-02/ ... mm

Aluminium Tubes



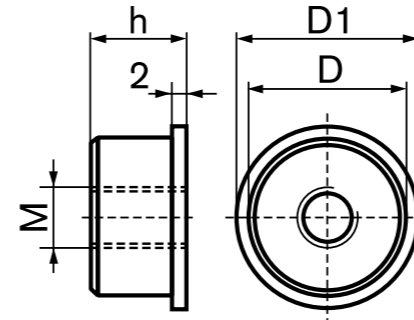
Can be supplied in warehouse length or cut to size.

Surface: untreated

Nominal Diameter	Dimension D1 x S	Weight kg/m	Order Number L = 5000 mm	Order Number cut to ... mm
12	12 x 1.5	0.130	R01-97-5M	R01-97-02/ ... mm
20	20 x 2	0.310	R02-97-5M	R02-97-02/ ... mm
30	30 x 2	0.480	R03-97-5M	R03-97-02/ ... mm
40	40 x 2	0.650	R04-97-5M	R04-97-02/ ... mm
50	50 x 3	1.210	R05-97-5M	R05-97-02/ ... mm

For diameter D tolerances, see page [230](#)

Threaded Inserts



For aluminium tubes.

Material: aluminium

Nominal diameter	Dimensions				Order Number
	D	D1	h	M	
20	16	20	15	M10	R14-20
30	26	30	15	M10	R14-30
40	36	40	20	M16	R14-40
50	44	50	20	M16	R14-50

Levelling feet

Application

Variable height adjustment and level compensation.

Specification

Cup: PA-GF black
Bolt/locknut: 8.8 steel, zinc-coated



Material	Levelling flange diameter	Dimension: Thread M x L	Load capacity F	Order number with 3 x Ø9	Order number without 3 x Ø9
PA-GF	50	10 x 50	2500 N		B 42-50
	50	10 x 100	2500 N		B 42-00
	50	16 x 50	3500 N		B 44-50
	50	16 x 100	3500 N		B 44-00
	90	16 x 50	5000 N		B 45-50
	90	16 x 100	5000 N		B 45-00
Aluminium	90	16 x 50	10000 N	B 45-51	B 45-52 (-D)*
	90	16 x 100	10000 N	B 45-01	B 45-02 (-D)*

* These versions are also available with damping components: add -D to the order number.

Wheels

Application

Universally applicable, everywhere where mobility is required.

Specification

Shackle: Galvanized steel, ball bearing
Wheel: Rubber running wheel, ball bearing

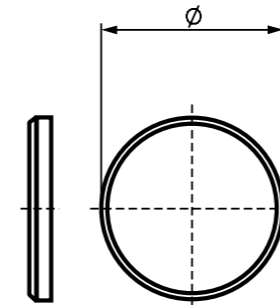


Wheel	Ø	wide	high	Thread dia. / M x L	Order number without brake	Order number with brake
Wheels	50	18	70	Ø 10,3	B 48-50	B 49-50
Wheels	75	25	97	Ø 10,3	B 48-75	B 49-75
Wheels	100	32	132	Ø 10,3	B 48-100	B 49-100
Wheels	100	32	132	M 16 x 25	A 48-100	A 49-100
Wheels	125	32	158	Ø 10,3	B 48-125	B 49-125
Wheels	125	32	158	M 16 x 25	A 48-125	A 49-125

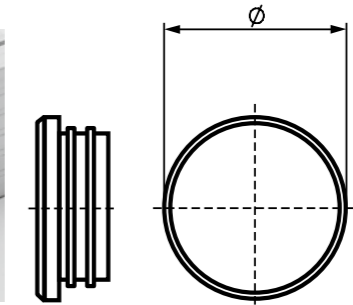
Other dimensions and conductive wheels can be supplied on request.

The complete range with more information can be found on page [167](#).

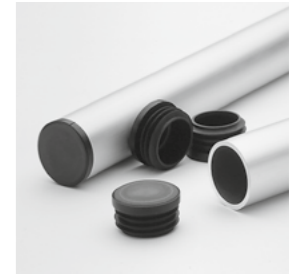
Plastic Caps



For Tube Clamps



For Aluminium Tubes

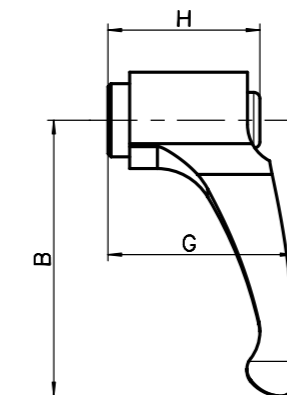
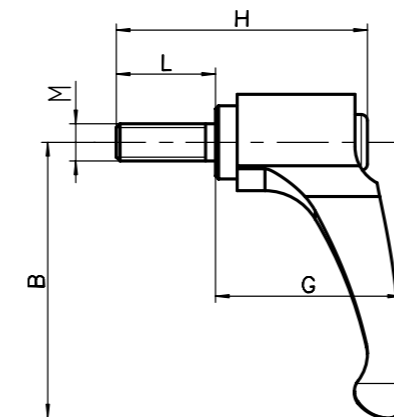


Nominal diameter	Order Number
20	R10-20
30	R10-30
40	R10-40
50	R10-50

The tube clamp units are generally supplied with plastic caps.

Nominal diameter	Order Number
20	R11-20
30	R11-30
40	R11-40
50	R11-50

Clamp Lever



All tube clamp elements can also be supplied with clamp levers:

Add ...-K or ...-2K to the order number.

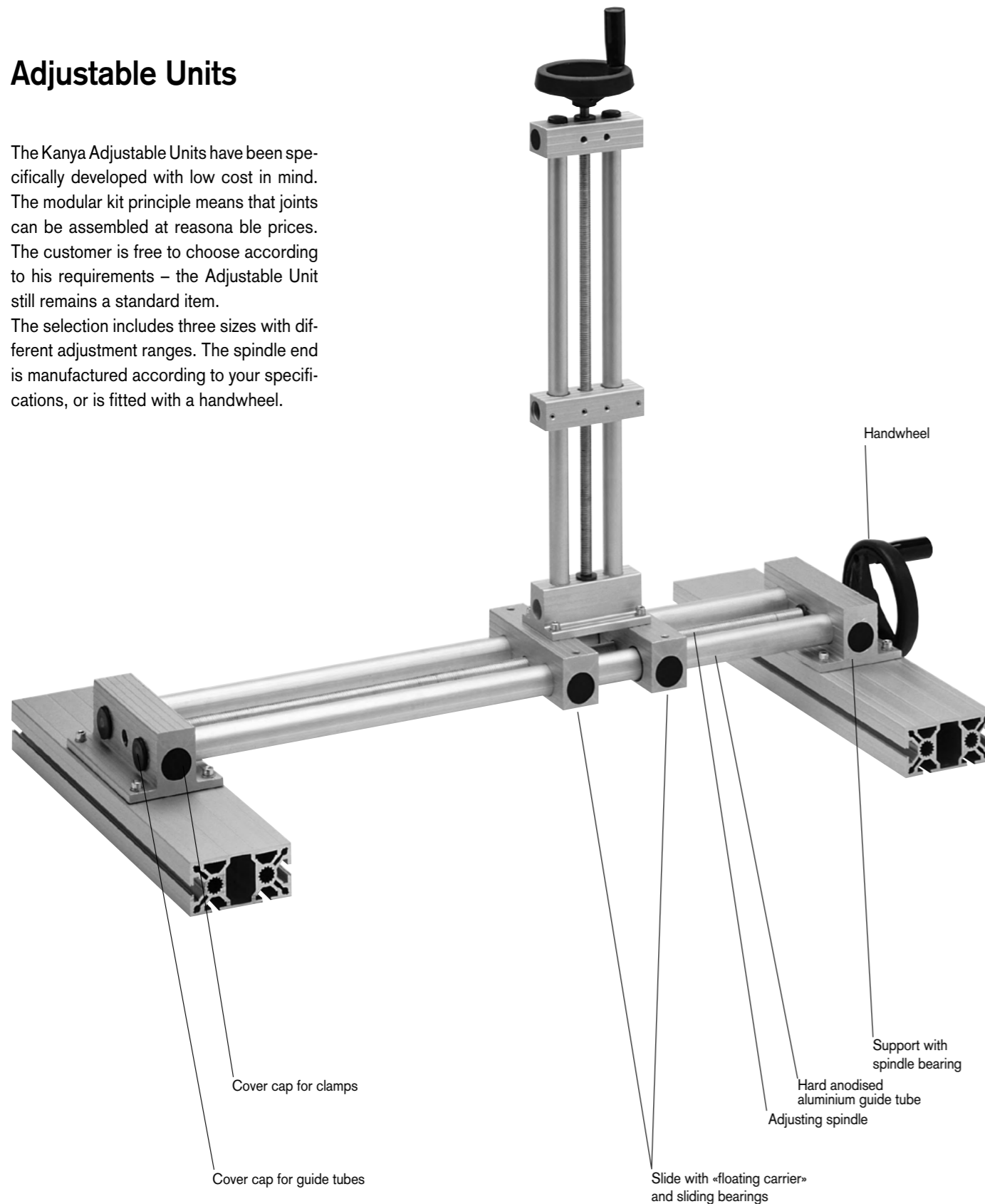


Nominal Thread M	Dimensions: B	G	H	L	Order Number
M6	45	29	25	-	R65-60
M6	45	29	25	16	R65-62
M6	45	29	25	32	R65-63
M8	63.5	38	31	-	R65-80
M8	63.5	43.5	38.5	20	R65-82*
M8	63.5	38	31	40	R65-84
M8	63.5	38	47	16	R65-81

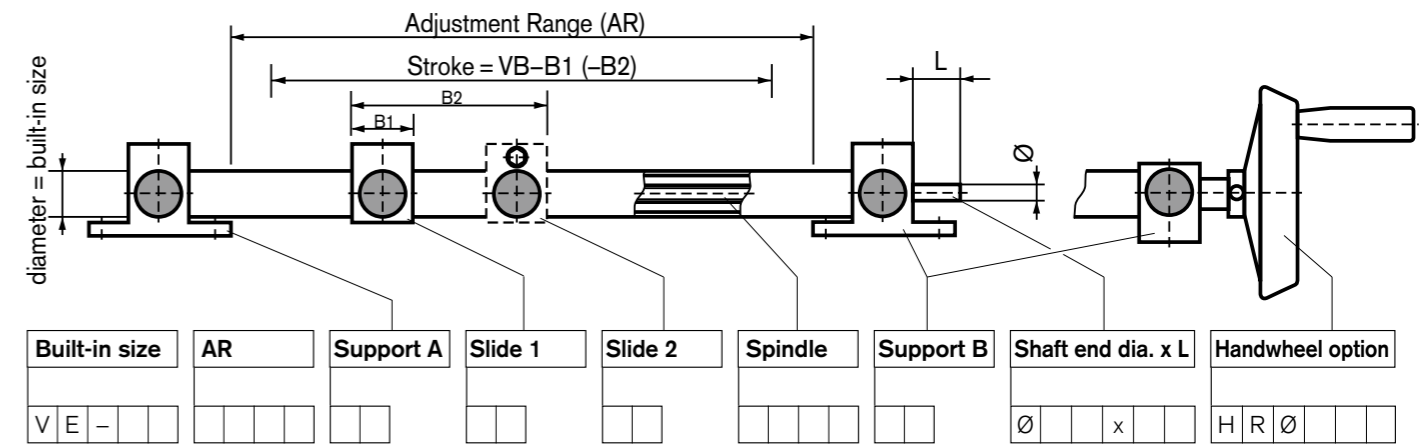
*Lever: plastic

Adjustable Units

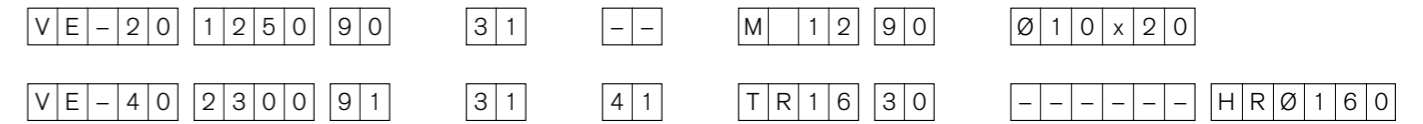
The Kanya Adjustable Units have been specifically developed with low cost in mind. The modular kit principle means that joints can be assembled at reasonable prices. The customer is free to choose according to his requirements – the Adjustable Unit still remains a standard item. The selection includes three sizes with different adjustment ranges. The spindle end is manufactured according to your specifications, or is fitted with a handwheel.



Ordering Information



Examples:



Warehouse items	Stroke	Support A/B	Slide 1/2	Spindle	Shaft end	Handwheel
VE20	-1500	R02-90 / -91 / -30	R02-31-GL / -41-GL	M12 x 1.75 / TR 12 x 3	as indicated	HR - Ø 80 / Ø 100
VE30	-2000	R03-90 / -91 / -30	R03-31-GL / -41-GL	M16 x 2.0 / TR 16 x 4	as indicated	HR - Ø 125
VE40	-2500	R04-90 / -91 / -30	R04-31-GL / -41-GL	M20 x 2.5 / TR 20 x 4	as indicated	HR - Ø 160 / Ø 200

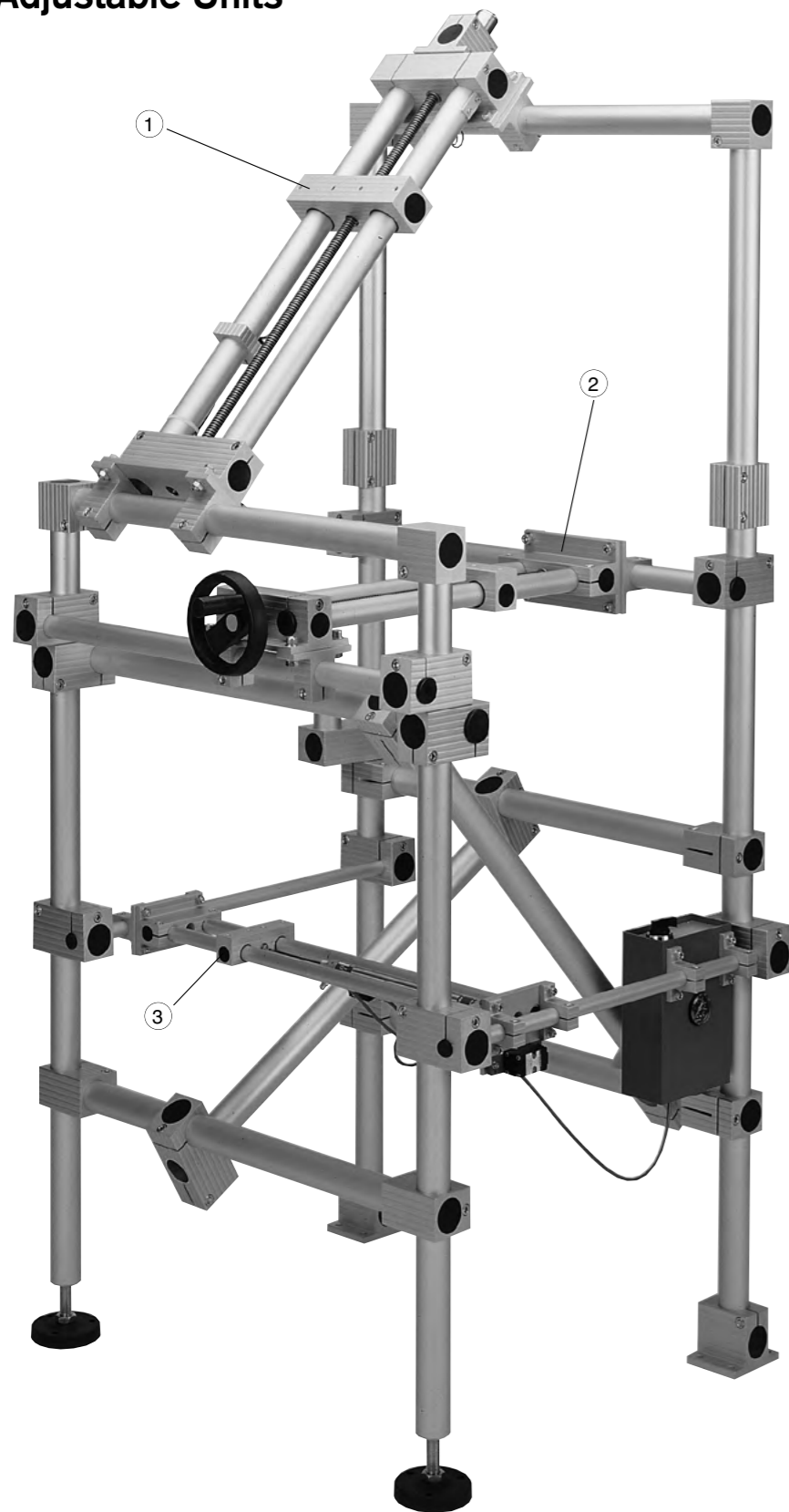
See pages 221 – 224 for measurement information on the Supports and Slides
Other diameter and inclinations on request

Kanya supplies the Adjustable Units fully assembled. Please enquire about additional items which we are able to supply.

Note Adjustable Units:

VE20 up to 900 mm
VE30 up to 1200 mm
VE40 up to 1500 mm

Adjustable Units



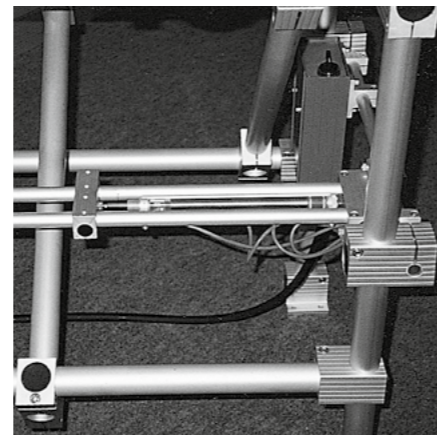
Use

Simple adjustment mechanisms with average precision and normal phase times. This adjustable unit is robust and reliable, and can be used wherever costs need to be kept down or wherever cost-effectiveness is the decisive factor.

Mechanical engineering, automation, laboratories, photographic studios, table adjustments, etc.

Versions

- ① with metric threaded spindle
- ② with trapezoidal threaded spindle and handwheel
- ③ with pneumatic cylinder



...or to your specifications.

Service

Our service



CAD Download
Over 60 different formats



Consulting
Personal & competent



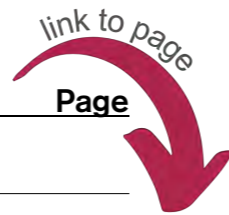
Distribution worldwide
Over 20 long-standing partners

Follow us on:

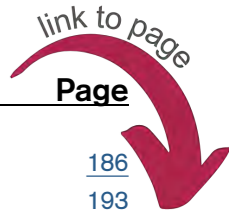


Index

Term	Page	Term	Page	Term	Page
20 mm base extrusion	112-114	Clamping block	129	F	
30 mm base extrusion	100-111	Clamping block base 50/40/30	152	Filler strips	184-185
40 mm base extrusion	82-99	Clamping block	153	Flange extrusions	245
45 mm base extrusion	68-81	Clamping nuts	156	Flat sealing element	210
50 mm base extrusion	50-67	Clamping rubber seal	192	Floor bolting bracket	163
		Clamping sealing strip	192	Foot plates	163
A		Composite panels	178	Frame extrusion	121
Acrylic glass	179	Concave double-wheeled trolley	170	Front cover	176
Adjustable units	250/252	Concave roller	169		
Allen key	148	Connectors	134-141	G	
Aluminium sealing extrusion	185	Corner pieces	200	Grease scraper	219
Aluminium sheets	181	Counterweight extrusion	131	Grease scraper support	219
Angle clamp	232	Covering cap for front cover	177	Grid extrusion	191
Angle extrusion	125-127	Covering cap for PVS®-connector	142	Ground anchoring bracket	165
Anti-return	228	Cross-cable tie block	174	Guide extrusion	124
Anti-twist spigots	160	Cross clamp	233	Gusset plate	163
Arrester plate	206	Cross clamp with different Ø	234		
Attachment bracket	154	Cross swivel clamp	239	H	
Auxiliary extrusion	119	Cross T-clamp	235	H-strip	187
				Half-round threaded plates	155
B		D		Hammer nuts	157
Ball catches	204	Door stop profile	188	Handle strip	207
Base plates	162	Double bolting bracket	164	Handle strip extrusion	129
Box frame extrusion	120	Double clamping extrusion	122	Handles	201
Bracket	151	Double extrusion nuts	157	Hinge extrusion	128
Buffer	221	Double threaded plates	155	Hinges	194-197
		Double-wheeled trolley	170	Horizontal clamp	236
C				Horizontal support	240
C-guide rails	222	E			
Cable bridge	147	End caps	158	I	
Cable ducts	173/175-177	End stop	221	Inlay profile	191
Caps	249	End swivel clamp	238	Insert Extrusion	184
Castors	167-168	Expanded metal	181	Inset lock	208
Channel reducing strips	183/186	Expanding sleeve	160		
Clamp ring	231	Extrusion nuts	156	J	
Clamp lever	249			Joining clamp	231
				Joint base	198-199



Term	Page	Term	Page	Term	Page
L		R		Supporting extrusion	186
Leg bolt-down socket	166	Recessed grip	203	Suspended guard fittings	193
Levelling feet	161-162/248	Rectangular extrusion	244	Suspension extrusion	123
Linear sliding block	212	Rectangular tube	130		
Lug	206	Retaining clips	173	T	
		Ribbed rubber extrusion	190	T clamp	232
M		Rod lock	208	T-bolts	154
Machining codes	43-47	Roller cover cpl.	220	Threaded inserts	159/247
Magnet nuts	157	Roller stopper	228	Threaded plates	155
Magnetic fasteners	204	Roller system	224	Tie wrap	174
Micro chipboard	178	Roller track adapter	227	Triple channel extrusion 30x15	118
Mounting bracket and dowel	152	Roller tracks flat	225	T-swivel clamps	238
Mounting bracket ball catch	205	Roller tracks with guide flange	226	Tube handle offset	202
Mounting brackets	150/204	Rollers	169/218	Tube handle straight	202
		Runner extrusion	120	Tubes	246
N				Tubes cleat	236
Non-swivel castors	167	S			
		Safety-edge extrusion	189	U	
O		Safety switches	209	U-clamping extrusion	123
Octagonal extrusion	121	Sealing plates	210	U-sealing strip	190
		Self-cutting threaded inserts	160	Uniblocks	153
P		Semi-circular sealing strip	190	Universal clamp	235
Panel clamp extrusion	122	Shaft clamping blocks	211	Universal slides	243
Parallel clamp	233	Shaft clamping extrusions	214	Universal support	242
Perforated sheets	181	Shaft clamping extrusions 2-part	216		
PET-G	180	Shaft support extrusion	212-213	V	
Polycarbonate	179	Single bolting bracket	164	«Velcro» cable ties	174
Protective edge profile	189	Single bolting bracket, reinforced	164	Vertical clamp	237/241
PVC foam plates	180	Slide extrusion	171-172	Vertical supports	241
PVS® direct connectors	145	Slide plates	215/217		
PVS® screw «Safe»	142	Slides	223	W	
PVS® superlight	146	Sliding hook	172	Wall rail 18x50	116
		Slot extrusion	116-117	Wedge extrusion	187
Q		Snap-lock	209	Wheels	248
Quick-release fasteners	207	Spacer for roller shield	219		
		Steel shafts	211		
		Steel wire mesh	182		
		Support extrusion	124		





Headquater

Kanya AG
 Neuhofstrasse 9
 8630 Rüti
 Schweiz
 T +41 (0)55 251 58 58
 F +41 (0)55 251 58 68
info@kanya.com
www.kanya.com

Branch office

Bachtel China Ltd.
 32 Hongxi Road, Suzhou
 Jiangsu 215151
 China
 T +86 (0) 512 65360065
 F +86 (0) 512 65360906
info@bachtelgroup.com.cn
www.kanya.com/cn

Representatives

- A** Ventor Sicherheitssysteme und Automatisierung
verkauf@ventor.at
www.ventor.at
- BR** ABG Indústria e Comércio Ltda.
info@abg.ind.br
www.abg.ind.br
- CZ/SK** WT WINTECH a.s.
alu@wintech.cz
www.wintech.cz/alu
- D** August Dreckshage GmbH & Co. KG
 PLZ 1, 2, 3, 4, 5
info@dreckshage.de
www.dreckshage.de
- D** KANYA Deutschland GmbH
 PLZ 0, 35, 54–56, 6, 7, 8, 9
info@kanya-deutschland.de
www.kanya-deutschland.de
- DK** JJ Mechatronic A/S
info@jjas.dk
www.jjas.dk
- F** Bernay Automation SA
info@bernay-automation.com
www.bernay-automation.com
- UK/IE** Kanya UK
info@kanya-uk.co.uk
www.kanya-uk.co.uk
- I** Meccania S.R.L.
info@meccania.com
www.meccania.com
- IL** Conlog LTD
conlog@conlog.co.il
www.conlog.co.il
- J** MIWA CO. LTD
postmiwa@miwa-inc.co.jp
www.miwa-inc.co.jp
- NL** TEVEL Techniek bv
info@tevel.nl
www.tevel.nl
- PL** TABAL Sp. J.
kanya@tabal.pl
www.tabal.pl
- PL** JORDAN matcon Sp. z o.o.
profile@jordan-matcon.pl
www.jordan-matcon.pl
- RC** Bachtel China Ltd.
info@bachtelgroup.com.cn
www.kanya.com/cn
- RC** Chongqing Holje Precision Machinery Co. Ltd
www.holje.cn
- RO** ARDACO TEHNIC METAL
office@ardacometal.ro
www.ardacometal.ro
- RU** Servotechnica
info@servotechnica.ru
www.servotechnica.ru
- S** EIE Maskin AB
info@eiemaskin.se
www.eiemaskin.se
- TN** HR-Engineering Sarl
info@hrengineering-tn.com
www.hrengineering-tn.com
- USA** A-Line Corporation
sales@aline1.com
www.aline1.com

Internationally registered trademarks:



Certificate of Approval:

ISO 9001

Indications

Patent

This catalogue contains products that are subject to international patent rights. Any imitation of such products constitutes a violation of the law and involves compensation for damages.

Product liability

Kanya's product liability is subject to Swiss substantive law only. Kanya is not liable for any further claims and in particular denies liability for copied products or own application of our products by the user.

May only reproduced in whole or in part with the permission of Kanya AG, Switzerland. The right to make technical modifications is reserved.

© by Kanya AG [06/2023 – Online catalog]