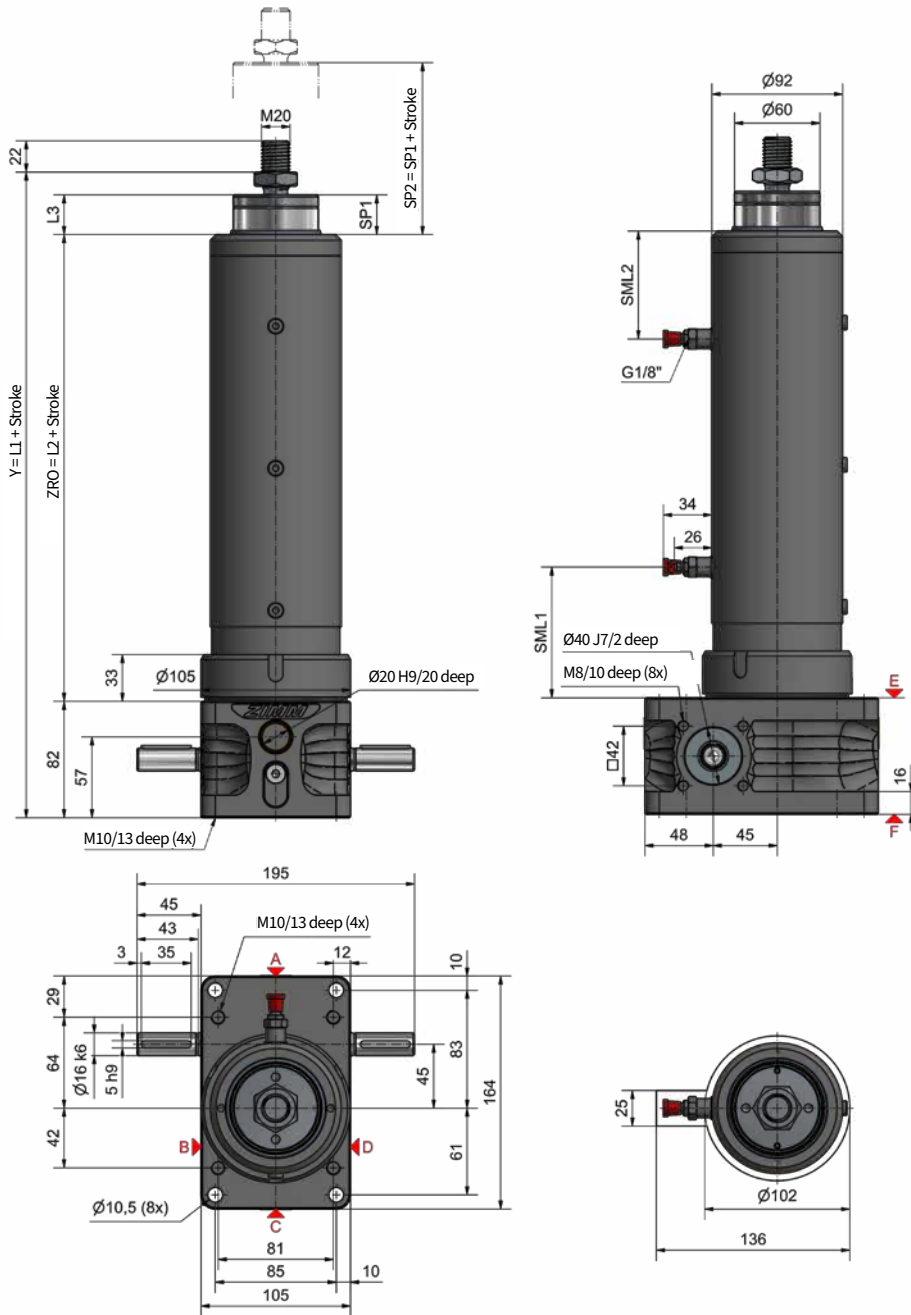


# 25 kN

## ZA-25 | Electromechanical actuators



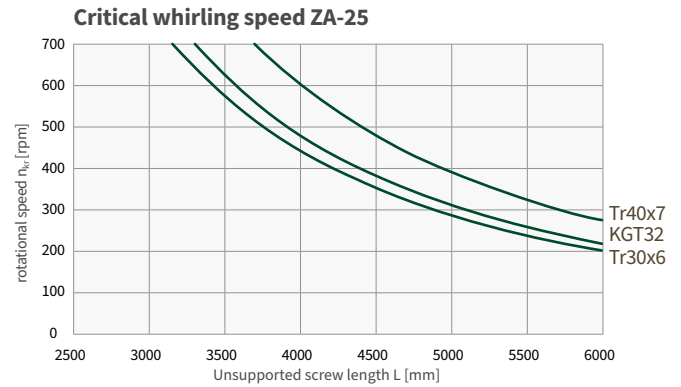
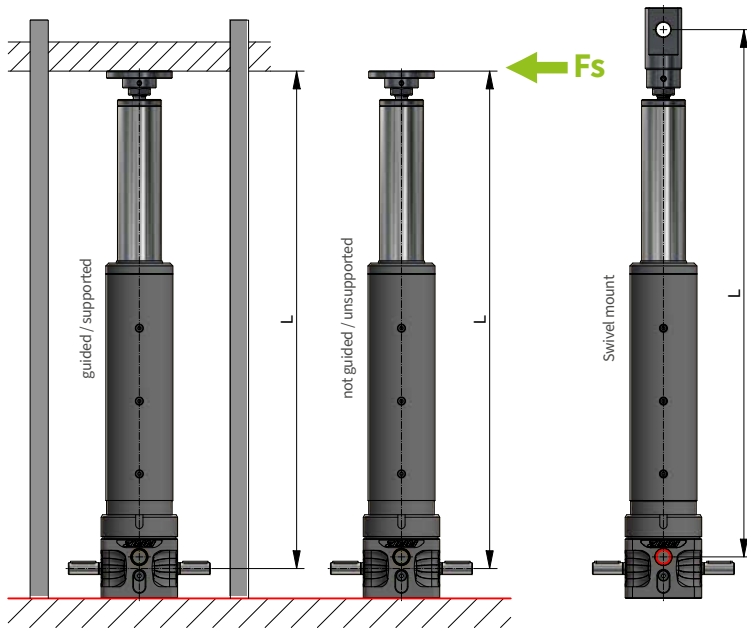
# 25 kN

### Length calculations

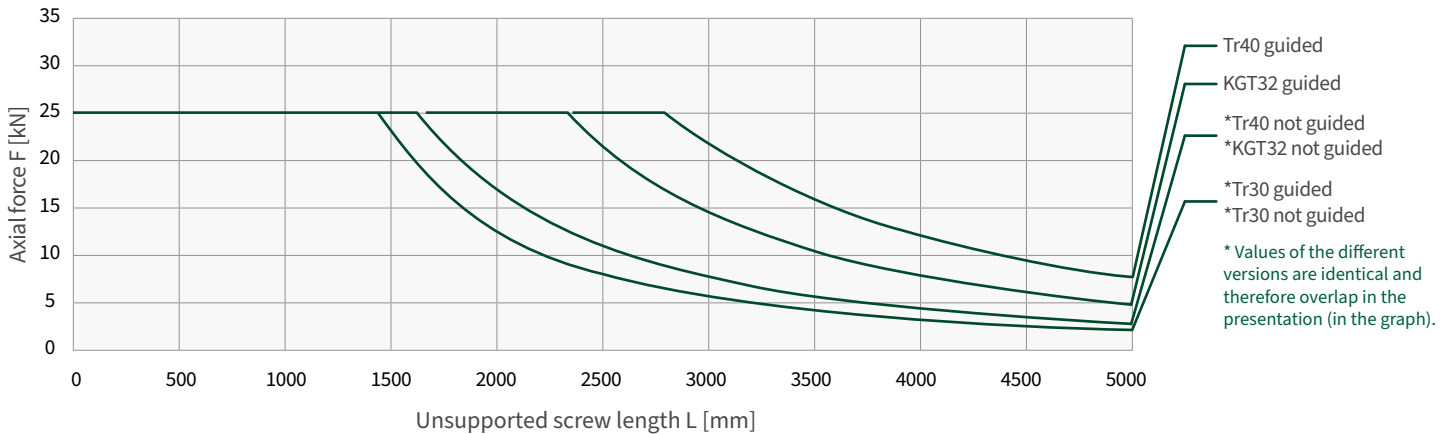
	Standard TR	SIFA TR	KGT32x5	KGT32x10	KGT32x20
L1	306 mm	313 mm	349 mm	364 mm	409 mm
L2	185 mm	192 mm	224 mm	234 mm	264 mm
L3	23 mm	23 mm	27 mm	32 mm	47 mm
SP1	23 mm	23 mm	27 mm	32 mm	47 mm
SML1	72 mm	79 mm	105 mm	110 mm	125 mm
SML2	113 mm	113 mm	119 mm	124 mm	139 mm

# Technical information

## ZA-25 | Critical buckling force & critical whirling speed



### Critical buckling force ZA-25



### Dynamic lateral force Fs (max.)

Fully extended L [mm]	max. Fs [N] (dynamic)	
	Standard	Increased**
500	410	1540
600		1220
700		1000
800		850
900		740
1000		650
1200		510
1500	380	
2000	260	
2500	-	
3000	-	

For tensile loads in conjunction with lateral forces, the permissible load is limited to 60% of the nominal load (max. tensile force ZA-25 = 15kN). Part-turn actuator excluded from this limitation.

For compressive loads, the buckling diagram must also be observed.

\*\*Only with forked end, rod end and pivot bearing end from size ZE-50